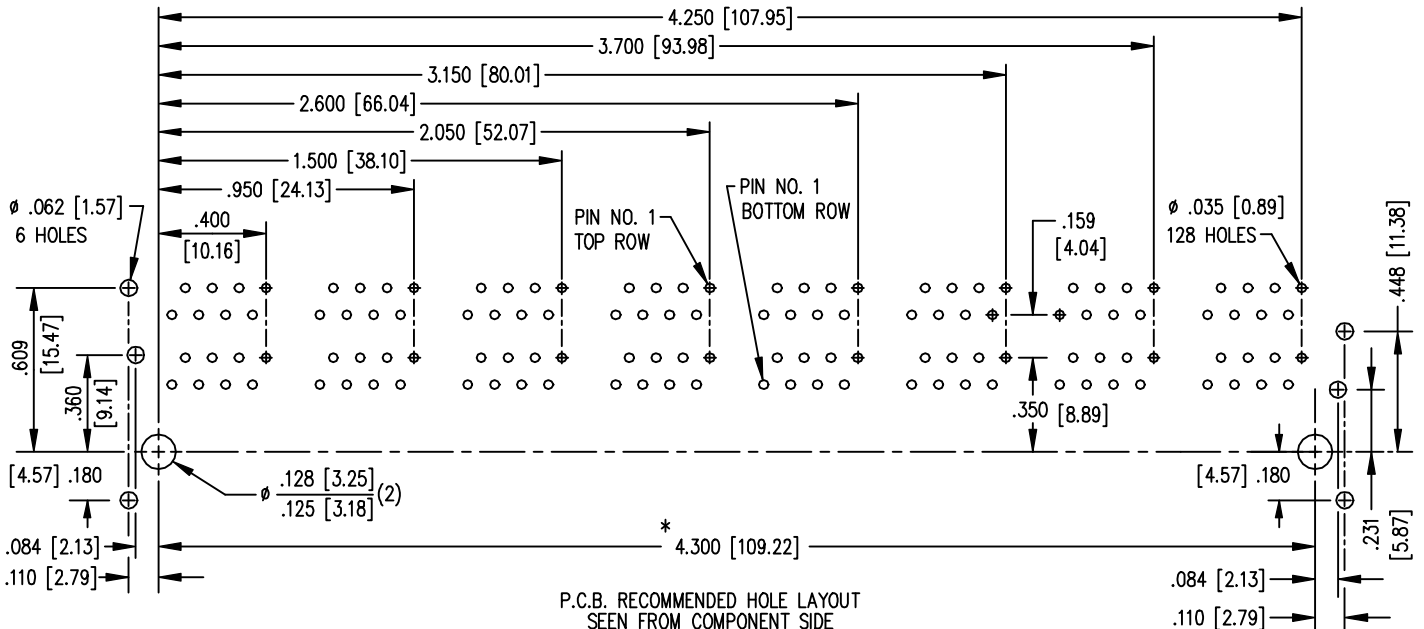
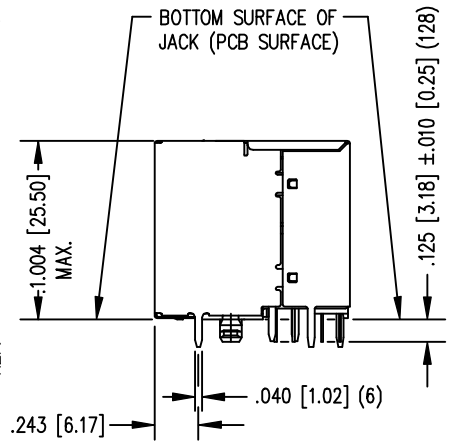
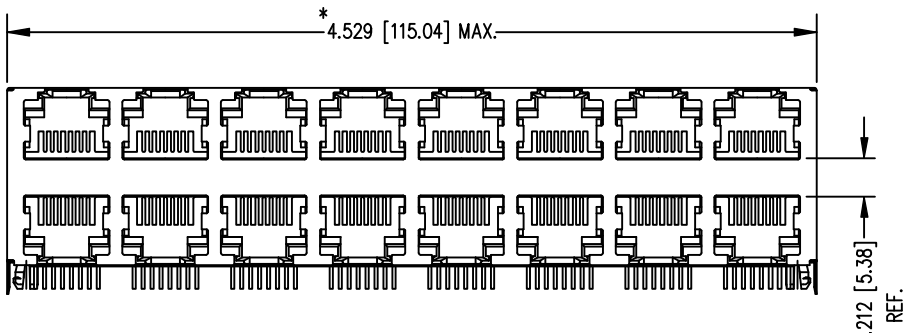
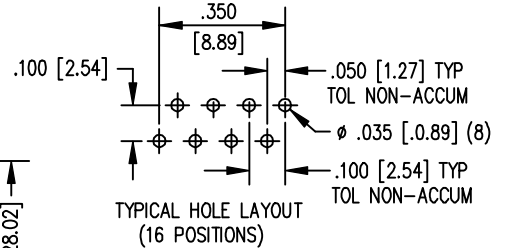
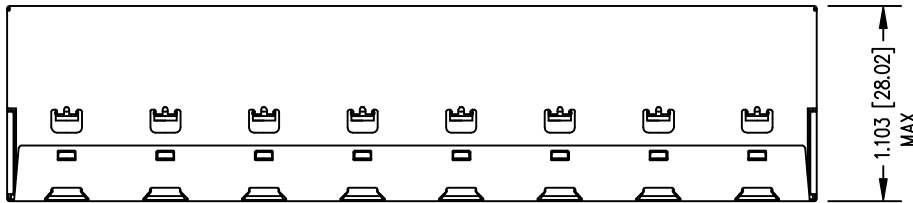


REV.	REVISION CHANGES
X0	AS DRAWN
A0	PRODUCT BASELINE

FOR REFERENCE ONLY

PART NO. SS-73100-055

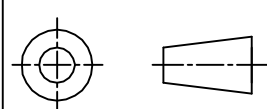
CATEGORY 3 SHIELDED STACK JACK
 EIGHT CONTACT, EIGHT POSITION
 50 MICRO INCHES GOLD
 16 PORTS (8 ON 8)



NOTES:

- TOLERANCES COMPLY WITH F.C.C. DIMENSION REQUIREMENTS.
- DIMENSIONS SHOWN WITH "*" TO BE CENTRAL ABOUT CENTER LINE.
- DIMENSIONS SHOWN ARE SUBJECT TO CHANGE WITHOUT NOTICE.

THIRD ANGLE PROJECTION



THIS DRAWING AND THE SUBJECT MATTER SHOWN THEREON ARE CONFIDENTIAL AND THE PROPRIETARY PROPERTY OF STEWART CONNECTOR SYSTEMS ("SCS") AND SHALL NOT BE REPRODUCED, COPIED OR USED IN ANY MANNER WITHOUT PRIOR WRITTEN CONSENT OF "SCS". THE SUBJECT MATTER MAY BE PATENTED OR A PATENT MAY BE PENDING. © SCS