

# ADSL Magnetics For Centillium



TM00306

- Operating temperature range: -40° C to +85° C
- Meets IEC 695, 2-2 flammability requirements
- PWB Process Capability: standard printed wiring board assembly techniques, total-immersion cleaning
- Reliability testing: shock, vibration, temperature cycling, temperature - humidity - bias

## ELECTRICAL SPECIFICATIONS AT 25° C

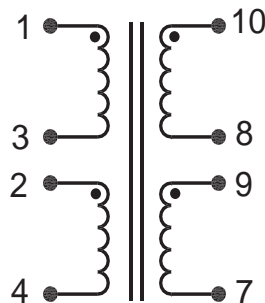
Part Number	Package	Turns Ratio <sup>2</sup> ± 2%	Inductance <sup>4</sup> μH ±5%	Leakage Inductance <sup>5</sup> μH max	DCR Ω max		Direct Capacitance <sup>8</sup> pF max	Dielectric Rating Vrms min
		(10-7) <sup>1</sup> : (1-4)	(1-4) <sup>3</sup>	(1-4) <sup>5</sup>	(1-4) <sup>3</sup>	(10-7) <sup>7</sup>	between (1-4) & (10-7) <sup>1</sup>	between (1-4) & (10-7) <sup>1</sup>
S560-6600-L8	SMD	1 : 1.8	450	5	1.5	0.7	80	1500
S560-6600-P5	SMD	1 : 1	442	3	0.8	0.86	85	1500
0560-6600-A5	THT	1 : 1	442	3	0.8	0.86	85	1500
0560-6600-H2	THT	1 : 1.8	450	5	1.5	0.7	80	1500

1. Connect terminals 3 to 2 & 8 to 9
2. Measured at 20 kHz, 1 Vrms
3. Connect terminals 3 to 2
4. Measured at 10 kHz, 0.1 Vrms

5. Connect terminals 3 to 2, 8 to 9, & 10 to 7
6. Measured at 100 kHz, 0.1 Vrms
7. Connect 8 to 9
8. Measured at 1 kHz, 1 Vrms

## SCHEMATIC

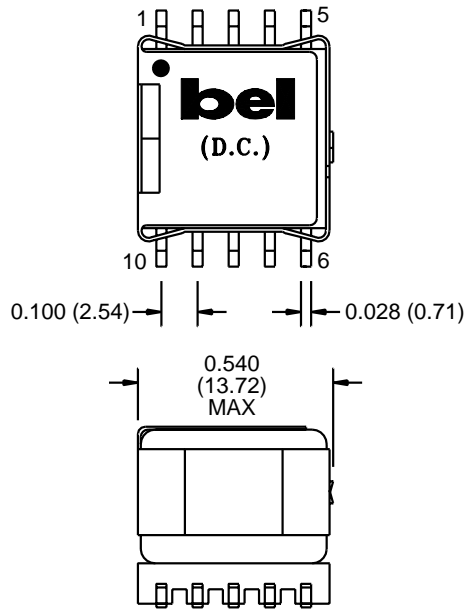
**S560-6600-L8**  
**S560-6600-P5**  
**0560-6600-A5**  
**0560-6600-H2**



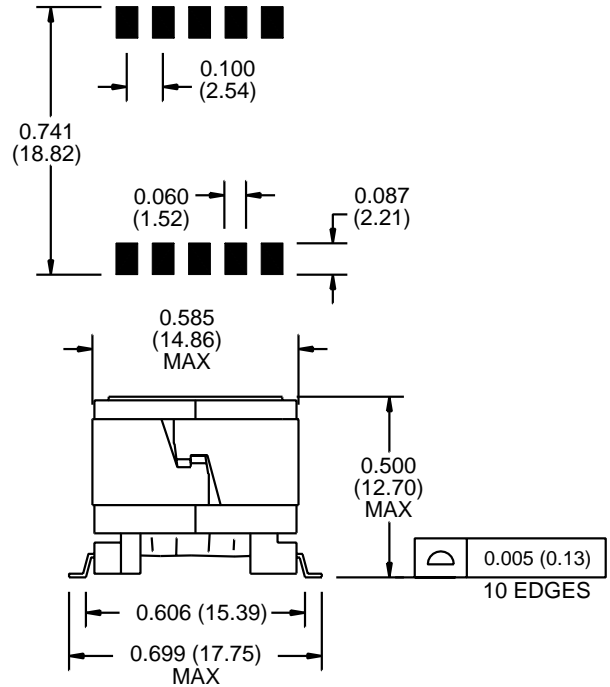
TM00306

### MECHANICAL

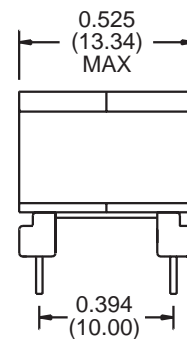
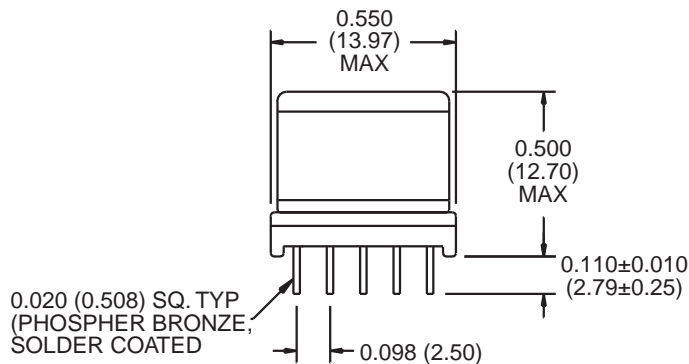
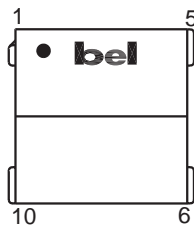
**S560-6600-L8**  
**S560-6600-P5**



### SUGGESTED PCB PAD LAYOUT



**0560-6600-A5**  
**0560-6600-H2**



©2001 Bel Fuse Inc. Specifications subject to change without notice. 09.01

### CORPORATE

**Bel Fuse Inc.**  
206 Van Vorst Street  
Jersey City, NJ 07302  
Tel 201-432-0463  
Fax 201-432-9542  
www.belfuse.com

### FAR EAST

**Bel Fuse Ltd.**  
8F / 8 Luk Hop Street  
San Po Kong  
Kowloon, Hong Kong  
Tel 852-2328-5515  
Fax 852-2352-3706  
www.belfuse.com

### EUROPE

**Bel Fuse Europe Ltd.**  
Preston Technology Management Centre  
Marsh Lane, Suite G7, Preston  
Lancashire, PR1 8UD, U.K.  
Tel 44-1772-556601  
Fax 44-1772-888366  
www.belfuse.com