

# ISDN MAGNETICS

## U Interface Transformers



TM9934

- Water-soluble flux and total-immersion cleaning compatible
- Qualified per Bellcore TR-TSY-000357-1
- Compatible with various Lucent transceiver ICs
- UL and CSA approved

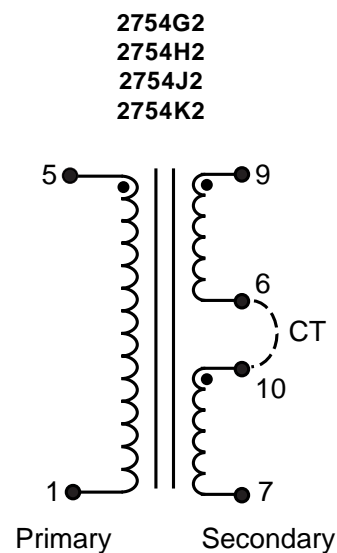
### ELECTRICAL SPECIFICATIONS at 25° C

Part Number	Turns Ratio ± 2%	Primary Inductance* mH min	Leakage Inductance μH max	DCR Ω max		Isolation Vrms min
				Pri	Sec	
2754G2	1 : 2.5	12.0	25.6	2.50	12.20	1000
2754H2	1.0 : 1.5	77.0	172	5.60	13.55	1000
2754J2	1.0 : 1.5	77.0	172	7.35	13.65	1000
2754K2	1.0 : 1.5	77.0	172	7.40	17.40	1500

\* Measured at 1 kHz, 0.1 Vac

Part Number	Compatible Transceiver ICs	
	IC Mfr	IC Part Number
2754G2	Lucent	T7262 T7263
2754H2	Lucent	T7234 T7237 T7256 T7264
2754J2		
2754K2		

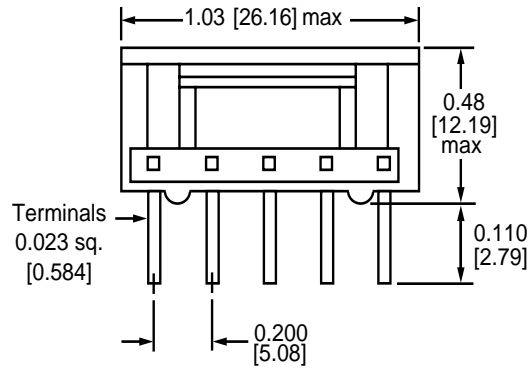
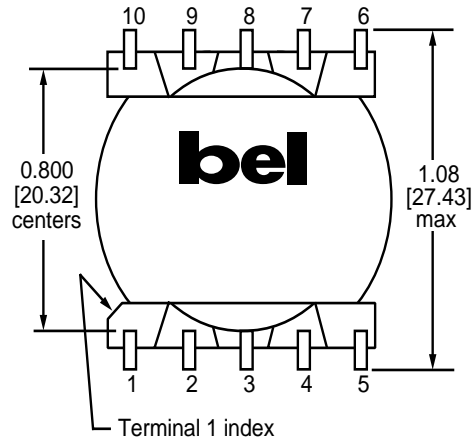
### SCHEMATIC



©1999 Bel Fuse Inc. Specifications subject to change without notice. 11.99

### MECHANICAL

2754G2  
2754H2  
2754J2  
2754K2



Note: Unless otherwise specified, dimensions are nominal and in inches [millimeters].

#### CORPORATE

**Bel Fuse Inc.**  
198 Van Vorst Street  
Jersey City, NJ 07302  
Tel 201-432-0463  
Fax 201-432-9542  
www.belfuse.com

#### FAR EAST

**Bel Fuse Ltd.**  
8F / 8 Luk Hop Street  
San Po Kong  
Kowloon, Hong Kong  
Tel 852-2328-5515  
Fax 852-2352-3706  
www.belfuse.com

#### EUROPE

**Bel Fuse Europe Ltd.**  
Preston Technology Management Centre  
Marsh Lane, Suite F23, Preston  
Lancashire, PR1 8UD, U.K.  
Tel 44-1772-556601  
Fax 44-1772-888366  
www.belfuse.com