




## Features

- Bushing mount
- Cost saving; pre-phased
- Highly readable clockface readout
- Easy mounting

 Model 3600 is currently available, although not recommended for new designs. Model 3610 w/Model CT-23 or CT-26 is preferred.

# 3600 - 10-Turn Precision Knobpot®

### Electrical Characteristics<sup>1</sup>

Standard Resistance Range .....	100 to 100 K ohms
Total Resistance Tolerance .....	±5 %
Effective Electrical Angle .....	3600 ° nominal
Absolute Minimum Resistance.....	1 ohm or 0.1 % maximum (whichever is greater)
Noise.....	100 ohms ENR maximum
Dielectric Withstanding Voltage (MIL-STD-202, Method 301)	
Sea Level .....	1,000 VAC minimum
70,000 Feet.....	400 VAC minimum
Power Rating (Voltage Limited By Power Dissipation or 385 VAC, Whichever is Less)	
+25 °C .....	1.5 watts
+85 °C.....	0 watt
Insulation Resistance (500 VDC).....	1,000 megohms minimum
Resolution .....	See recommended part numbers
Accuracy (Correlation of Dial Readout to Voltage Ratio Output) .....	±0.5 % voltage ratio
Repeatability of Dial Readout .....	±0.1 % voltage ratio

### Environmental Characteristics<sup>1</sup>

Operating Temperature Range.....	+1 °C to +85 °C
Storage Temperature Range .....	-65 °C to +85 °C
Temperature Coefficient Over Storage Temperature Range.....	±50 ppm/°C maximum/unit
Vibration .....	10 G
Wiper Bounce.....	0.1 millisecond maximum
Total Resistance Shift .....	±2 % maximum
Voltage Ratio Shift .....	±0.2 % maximum
Shock .....	50 G
Wiper Bounce.....	0.1 millisecond maximum
Total Resistance Shift .....	±2 % maximum
Voltage Ratio Shift .....	±0.2 % maximum
Load Life .....	1,000 hours, 1.5 watts
Total Resistance Shift .....	±2 % maximum
Rotational Life (No Load) .....	100,000 shaft revolutions
Total Resistance Shift .....	±2 % maximum
Moisture Resistance (MIL-STD-202, Method 103, Condition B)	
Total Resistance Shift .....	±2 % maximum
IP Rating .....	IP 60

### Mechanical Characteristics<sup>1</sup>

Stop Strength.....	14 N-cm (20 oz.-in.) minimum
Mechanical Angle .....	3600 ° +20 °, -0 °
Torque (Starting).....	0.21 to 5.65 N-cm (0.3 to 8.0 oz.-in.) maximum
Torque (Running).....	5.65 N-cm (8.0 oz.-in.) maximum
Variation .....	0.71 N-cm (1.0 oz.-in.) maximum
Mounting.....	170-200 N-cm (15-18 lb.-in.) maximum
Backlash .....	1.0 ° maximum
Weight.....	Approximately 17 gm
Terminals.....	Gold-plated J-Hooks
Soldering Condition.....	Recommended hand soldering using Sn95/Ag5 no clean solder, 0.025" wire diameter. Maximum temperature 399 °C (750 °F) for 3 seconds. No wash process to be used with no clean flux.
Markings .....	Manufacturer's name and part number, resistance value and tolerance, linearity tolerance, wiring diagram, and date code.

<sup>1</sup>At room ambient: +25 °C nominal and humidity nominal, except as noted.

### Recommended Part Numbers

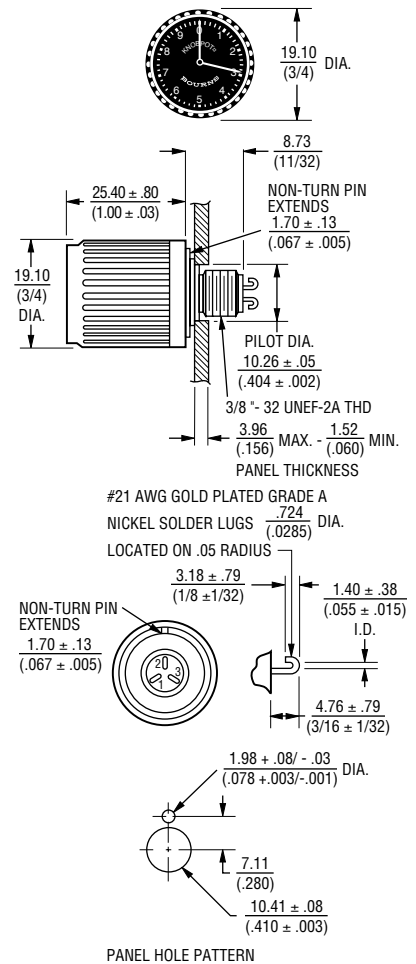
Part Number	Resistance (Ω)	Resolution (%)
3600S-1-102	1,000	.035
3600S-1-502	5,000	.027
3600S-1-103	10,000	.022

**BOLDFACE LISTINGS ARE IN STOCK AND READILY AVAILABLE THROUGH DISTRIBUTION.**

FOR OTHER OPTIONS CONSULT FACTORY.

REV. 07/06

"Knobpot" is a registered trademark of Bourns, Inc. Specifications are subject to change without notice. Customers should verify actual device performance in their specific applications.



TOLERANCES: EXCEPT WHERE NOTED  
 DECIMALS: .XX ± .25 (010), .XXX ± .13 (005)  
 FRACTIONS: ±1/64  
 DIMENSIONS:  $\frac{MM}{(IN.)}$

