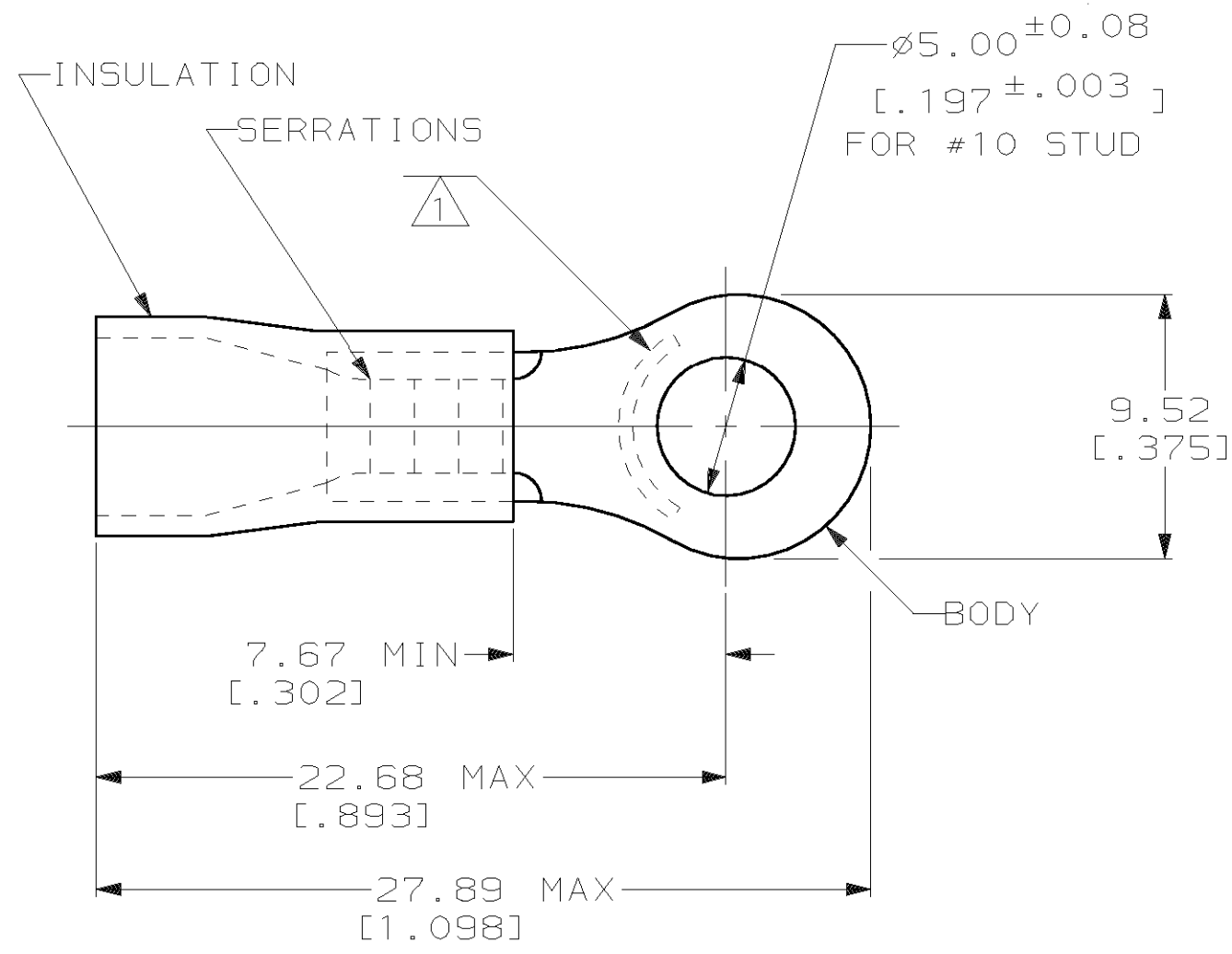


THIS DRAWING IS UNPUBLISHED. RELEASED FOR PUBLICATION, 19
 © COPYRIGHT 19 BY AMP INCORPORATED. ALL INTERNATIONAL RIGHTS RESERVED.

LOC	DIST	P	F	REVISIONS			DATE	APPD
G	14			ZONE	LTR	DESCRIPTION		
					J	REL PER 0G3A-0636-00	29SEP00	SR TM

AMP WIRE RANGE	UL Listed	SR LR7189 Certified
12-10 AWG SOLID OR STRANDED	12-10 AWG SOLID OR STRANDED	12-10 AWG SOLID OR STRANDED



- ① STAMP AMP 12-10* APPROX AS SHOWN
- ② WIRE INSULATION DIA, .150-.250
- ③ TONGUE MATERIAL THK, 0.99±0.05 [0.039±.002]

QUANTITY	PACKAGE TYPE	PART NO
25	LOOSE PC, BAG	8-34854-5
4	LOOSE PC, BLS	8-34854-4
100	LOOSE PC, BOX	8-34854-1
1000	ON TAPE, REEL	2-34854-5
2500	ON TAPE, REEL	2-34854-1
-	LOOSE PIECE	34854

AMP INCORPORATED CUSTOMER SERVICE SYSTEMS		MAX RECOMMENDED OPERATING TEMPERATURE: 90°C MAX	DO NOT SCALE PRINT. UNLESS SPECIFIED DIMENSIONS IN mm [INCHES] TOLERANCES ON: 2 PLC DEC ± 0.20[.008] 3 PLC DEC ± - ANGLES ± -	DR 08/06/92 DK SCHRUM	AMP AMP Incorporated Harrisburg, PA 17105-3608
FOR ADDITIONAL PRODUCT INFORMATION OR COPIES OF DRAWINGS AND TECHNICAL DOCUMENTS	PRODUCT INFORMATION CENTER 1-800-522-6752	VOLTAGE RATING: NOT APPLICABLE	MATERIAL COPPER PER ASTM B-152 PVC COLOR, YELLOW	CHK 11/10/92 RE HERSEY	
FOR APPLICATION TOOLING INFORMATION	TOOLING ASSISTANCE CENTER 1-800-722-1111	CIRCULAR MIL AREA: 2.62-6.64mm ² [5,180-13,100]	FINISH TIN PLATE PER ASTM B 545	APPD 11/10/92 ML ELLIS	NAME TERMINAL, RING TONGUE, PLASTI-GRIP™
FOR ORDER ENTRY	1-800-526-5142	THIS DRAWING IS A CONTROLLED DOCUMENT FOR AMP INCORPORATED. IT IS SUBJECT TO CHANGE AND THE CONTROLLING ENGINEERING ORGANIZATION SHOULD BE CONTACTED FOR THE LATEST REVISION.		APPD 11/10/92 M BARNABA	SIZE B CAGE CODE 00779 DRAWING NO C-34854
				PRODUCT SPEC 108-1034	SCALE 4:1 SHEET 1 OF 1
				APPLICATION SPEC NOT AVAILABLE	
				WEIGHT -	