



EC1078

InGaP HBT Gain Block

Product Features

- DC – 3.5 GHz
- +21 dBm P1dB at 1 GHz
- +37 dBm OIP3 at 1 GHz
- 20 dB Gain at 1 GHz
- 4.4 dB Noise Figure at 2 GHz
- Available in Lead-free / green SOT-89 Package Style
- Internally matched to 50 Ω

Applications

- Mobile Infrastructure
- CATV / FTTH
- W-LAN / ISM
- RFID
- WiMAX / WiBro

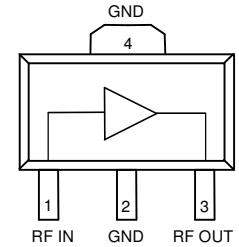
Product Description

The EC1078B is a general-purpose buffer amplifier that offers high dynamic range in a low-cost surface-mount package. At 1000 MHz, the EC1078B typically provides 20 dB of gain, +37 dBm Output IP3, and +21 dBm P1dB.

The EC1078B consists of Darlington pair amplifiers using the high reliability InGaP/GaAs HBT process technology and only requires DC-blocking capacitors, a bias resistor, and an inductive RF choke for operation. The device is ideal for wireless applications and is available in a low-cost, surface-mountable lead-free/green/RoHS-compliant SOT-89 package. All devices are 100% RF and DC tested.

The broadband MMIC amplifier can be directly applied to various current and next generation wireless technologies such as GPRS, GSM, CDMA, and W-CDMA. In addition, the EC1078B will work for other various applications within the DC to 3.5 GHz frequency range such as CATV and mobile wireless.

Functional Diagram



Function	Pin No.
Input	1
Output/Bias	3
Ground	2, 4

Specifications ⁽¹⁾

Parameter	Units	Min	Typ	Max
Operational Bandwidth	MHz	DC		3500
Test Frequency	MHz		1000	
Gain	dB		20	
Output P1dB	dBm		+21	
Output IP3 ⁽²⁾	dBm		+37	
Test Frequency	MHz		2000	
Gain	dB		17	
Large-signal Gain ⁽³⁾	dB	14.7	16	
Input Return Loss	dB		12	
Output Return Loss	dB		8	
Output P1dB	dBm		+20	
Output IP3 ⁽²⁾	dBm		+33	
Noise Figure	dB		4.4	
Test Frequency	MHz		3000	
Gain	dB	13	14.5	
Device Voltage	V	5.3	5.6	5.9
Device Current	mA		96	

1. Test conditions unless otherwise noted: 25° C, Supply Voltage = +7 V, Rbias = 14 Ω, 50 Ω System.
2. 3OIP measured with two tones at an output power of +7 dBm/tone separated by 1 MHz. The suppression on the largest IM3 product is used to calculate the 3OIP using a 2:1 rule.
3. Large-signal gain is tested with an input power level of +3 dBm.

Typical Performance ⁽¹⁾

Parameter	Units	Typical			
Frequency	MHz	500	900	1900	2140
S21	dB	20.7	20	17.2	16.6
S11	dB	-13	-14	-14	-15
S22	dB	-12	-12	-12	-12
Output P1dB	dBm	+20.6	+21	+20.5	+20
Output IP3 ⁽²⁾	dBm	+37.5	+37	+33.5	+32.5
Noise Figure	dB	3.1	3.5	4.3	4.4

Absolute Maximum Rating

Parameter	Rating
Operating Case Temperature	-40 to +85 °C
Storage Temperature	-55 to +150 °C
Device Current	150 mA
RF Input Power (continuous)	+12 dBm
Junction Temperature	+250 °C

Operation of this device above any of these parameters may cause permanent damage.

Ordering Information

Part No.	Description
EC1078B-G	InGaP HBT Gain Block (lead-free/green/RoHS-compliant SOT-89 package)
EC1078B-PCB	700 – 2400 MHz Fully Assembled Eval. Board

Specifications and information are subject to change without notice



EC1078

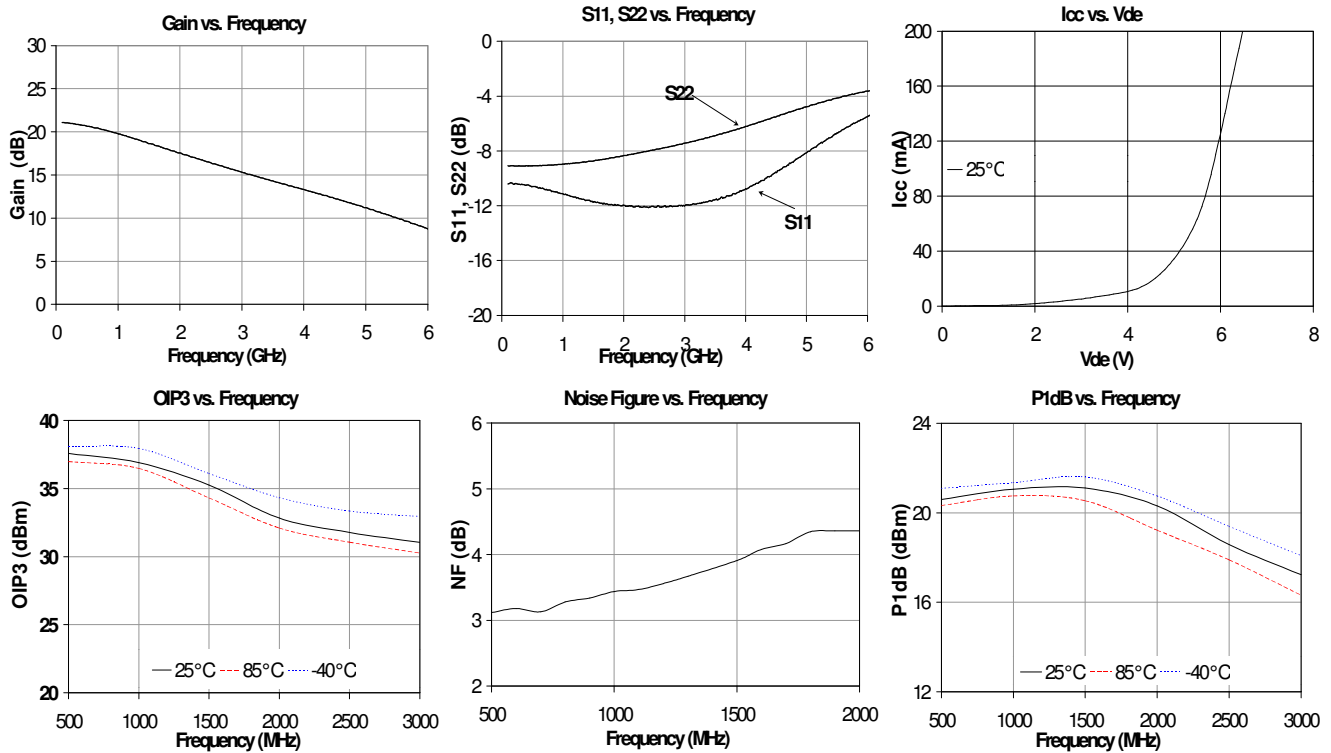
InGaP HBT Gain Block

Typical Device RF Performance

Supply Bias = +7 V, $R_{bias} = 14 \Omega$, $I_{cc} = 96 \text{ mA}$

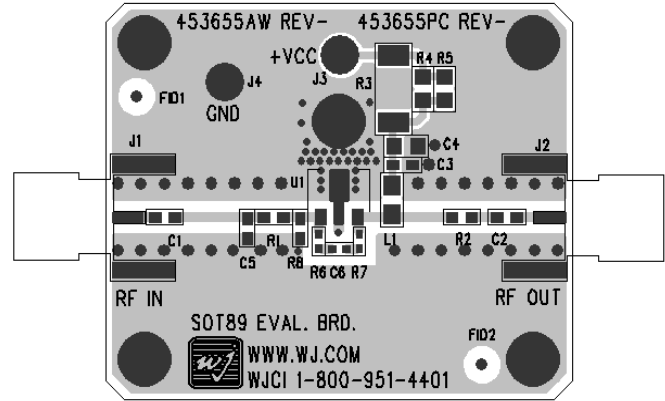
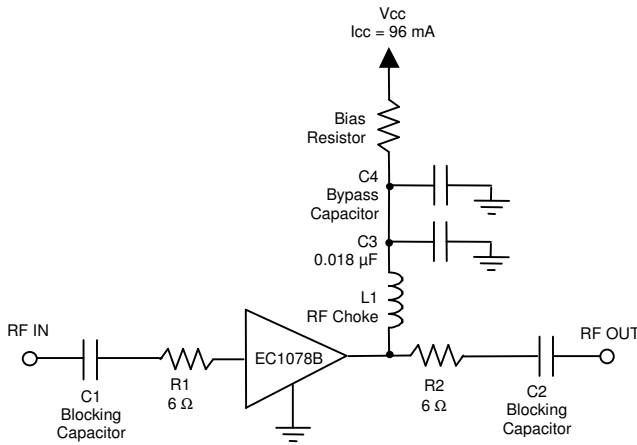
Frequency	MHz	100	500	900	1900	2140	2400	3500
S21	dB	21.2	20.7	20	17.2	16.6	15.9	13.5
S11	dB	-13	-13	-14	-14	-15	-15	-13
S22	dB	-11	-12	-12	-12	-12	-11	-9.2
Output P1dB	dBm	+20	+20.6	+21	+20.5	+20	+19	
Output IP3	dBm	+38	+37.5	+37	+33.5	+32.5	+32	
Noise Figure	dB	3.4	3.5	3.5	3.8	3.8	3.9	

1. Test conditions: $T = 25^\circ \text{C}$, Supply Voltage = +7 V, Device Voltage = 5.6 V, $R_{bias} = 14 \Omega$, $I_{cc} = 96 \text{ mA}$ typical, 50Ω System.
2. 3OIP measured with two tones at an output power of +7 dBm/tone separated by 1 MHz. The suppression on the largest IM3 product is used to calculate the 3OIP using a 2:1 rule.
3. Data is shown as device performance only. Actual implementation for the desired frequency band will be determined by external components shown in the application circuit. The performance data does not account for losses attributed to recommended input and output series resistances shown in the application circuit on page 3.



Specifications and information are subject to change without notice

Recommended Application Circuit (EC1078B-PCB)



Recommended Component Values

Reference Designator	Frequency (MHz)						
	50	500	900	1900	2200	2500	3500
L1	820 nH	220 nH	68 nH	27 nH	22 nH	18 nH	15 nH
C1, C2, C3	.018 μ F	1000 pF	100 pF	68 pF	68 pF	56 pF	39 pF

- The proper values for the components are dependent upon the intended frequency of operation.
- The component values in the table below are contained on the evaluation board to achieve optimal broadband performance.
- R1 and R2 are shown in the circuit diagram to avoid potential instabilities. The configuration shown above assures of unconditional stability with the use of the device. It is expected that linearity parameters (OIP3 and P1dB) to degrade about only 0.5 dB, while overall gain will be about 1 dB less than the performance shown in page 1 and 2 of this datasheet. Input and output return loss is expected to improve with the use of the I/O series resistances at 2 GHz.

Recommended Bias Resistor Values

Supply Voltage	R bias value	Size
7 V	14.6 ohms	1210
8 V	25 ohms	1210
9 V	35 ohms	2010
10 V	46 ohms	2010
12 V	67 ohms	2512

The proper value for R bias is dependent upon the supply voltage and allows for bias stability over temperature. WJ recommends a minimum supply bias of +7 V. A 1% tolerance resistor is recommended.

Ref. Desig.	Value / Type	Size
L1	39 nH wirewound inductor	0603
C1, C2	56 pF chip capacitor	0603
C3	0.018 μ F chip capacitor	0603
C4	Do Not Place	
R1	6 Ω chip resistor	0603
R2	6 Ω chip resistor	0603
R3	14 Ω 1% tolerance	2010

Typical Device S-Parameters

S-Parameters ($V_{device} = +5.6$ V, $I_{CC} = 96$ mA, $T = 25^\circ$ C, calibrated to device leads)

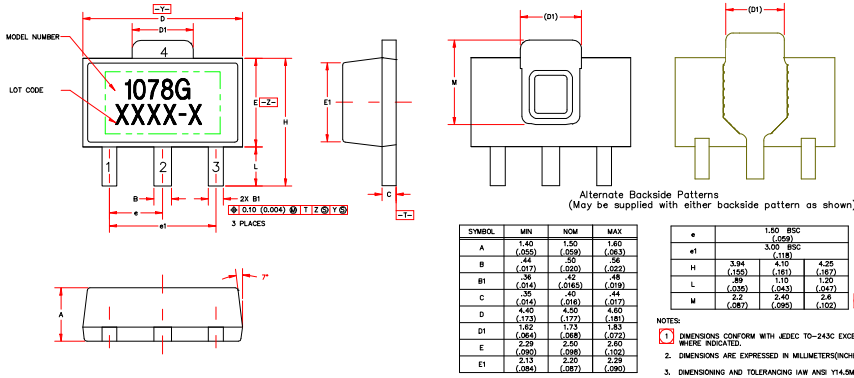
Freq (MHz)	S11 (dB)	S11 (ang)	S21 (dB)	S21 (ang)	S12 (dB)	S12 (ang)	S22 (dB)	S22 (ang)
50	-13.94	-3.83	21.57	176.70	-24.12	0.80	-11.86	-4.93
500	-13.75	-39.71	20.96	148.92	-23.37	6.98	-11.69	-48.17
1000	-13.18	-77.85	19.93	122.53	-22.08	8.80	-10.82	-90.17
1500	-12.31	-113.82	18.86	98.71	-20.68	4.63	-9.54	-126.09
2000	-11.09	-148.03	17.94	76.48	-19.38	-1.93	-8.31	-158.11
2500	-9.97	-177.99	16.84	54.17	-18.50	-11.42	-7.34	173.96
3000	-8.87	154.89	15.65	33.67	-17.80	-21.55	-6.41	148.41
3500	-7.79	129.58	14.44	13.81	-17.41	-32.42	-5.63	125.43
4000	-6.76	106.00	13.18	-5.36	-17.25	-43.17	-4.78	105.05
4500	-5.72	85.30	11.80	-23.83	-17.22	-53.97	-4.07	86.50
5000	-4.72	66.77	10.39	-41.03	-17.40	-64.41	-3.41	70.24
5500	-3.91	51.00	8.85	-57.10	-17.84	-74.10	-2.93	56.07
6000	-3.22	37.49	7.41	-71.74	-18.28	-83.92	-2.53	43.40

Device S-parameters are available for download off of the website at: <http://www.wj.com>

EC1078B-G Mechanical Information

This package is lead-free/Green/RoHS-compliant. The plating material on the leads is NiPdAu. It is compatible with both lead-free (maximum 260°C reflow temperature) and leaded (maximum 245°C reflow temperature) soldering processes.

Outline Drawing

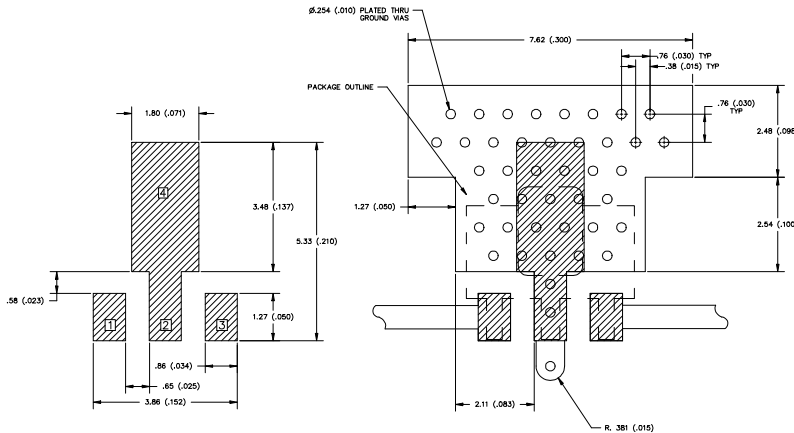


Product Marking

The component will be marked with an "1078G" designator with an alphanumeric lot code on the top surface of the package. The obsolete tin-lead package is marked with an "1078" designator followed by an alphanumeric lot code.

Tape and reel specifications for this part are located on the website in the "Application Notes" section.

Land Pattern



MSL / ESD Rating



Caution! ESD sensitive device.

ESD Rating: Class 1A
Value: Passes between 250 and 500V
Test: Human Body Model (HBM)
Standard: JEDEC Standard JESD22-A114

MSL Rating: Level 3 at +260 °C convection reflow
Standard: JEDEC Standard J-STD-020

Mounting Config. Notes

1. Ground / thermal vias are critical for the proper performance of this device. Vias should use a .35mm (#80 / .0135") diameter drill and have a final plated thru diameter of .25 mm (.010").
2. Add as much copper as possible to inner and outer layers near the part to ensure optimal thermal performance.
3. Mounting screws can be added near the part to fasten the board to a heatsink. Ensure that the ground / thermal via region contacts the heatsink.
4. Do not put solder mask on the backside of the PC board in the region where the board contacts the heatsink.
5. RF trace width depends upon the PC board material and construction.
6. Use 1 oz. Copper minimum.
7. All dimensions are in millimeters (inches). Angles are in degrees.

Thermal Specifications

Parameter	Rating
Operating Case Temperature	-40 to +85 °C
Thermal Resistance, Rth	128 °C/W