

EPC3129-X

- Used in SMPS Flyback Topology
- Designed for use with Power Integration Chip
- Reinforced Insulation (Triple Insulated Wire)
- UL 94V-0 Recognized Components
- UL 1446 Class F Insulation System
- Very Low Core Loss

Electrical Parameters @ 25° C

PCA Part Number	Chipset	Voltage (Vdc)					Primary OCL ($\mu\text{H} \pm 10\%$) @ 10 KHz, 0.1 Vrms	Current (Amp.)				Schematic
		V in	V out 1	V out 2	V out 3	V out 4		Sec. 1	Sec. 2	Sec. 3	Sec. 4	
EPC3129-1	TOP244Y	120-375	12	N	15	---	876	2.5	N	.05	---	A
EPC3129-2	TOP243P	120-375	5	3.3	15	30	1000	0.9	1.5	.05	.03	B

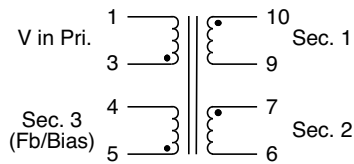
• Switching Frequency : 132 KHz • Isolation : 4500 Vrms •

Dielectric Rating (Vrms)

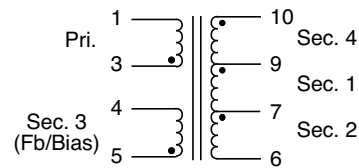
1 sec. 4500 or 60 sec. 3750	1 sec. 4500 or 60 sec. 3750	1 sec. 1500
Pri. to all Sec. Wdg's & Core	Between Sec. Wdg's to Core	Between Pri. Wdg & Bias

• Note : "N" means Not Required/No Connections •

Schematic A

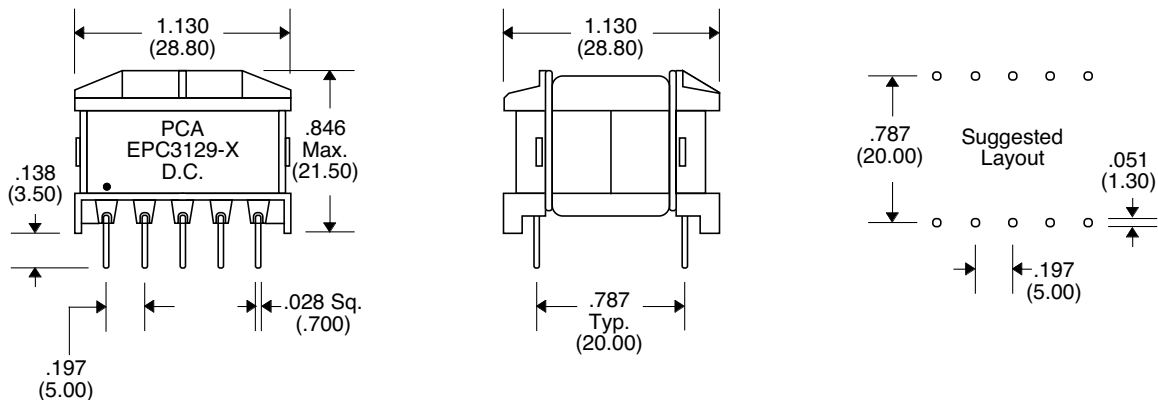


Schematic B



* Shield is optional

Package



Unless Otherwise Specified Dimensions are in Inches /mm $\pm .010 / .25$