

EPG4001AS & EPG4001AS-RC



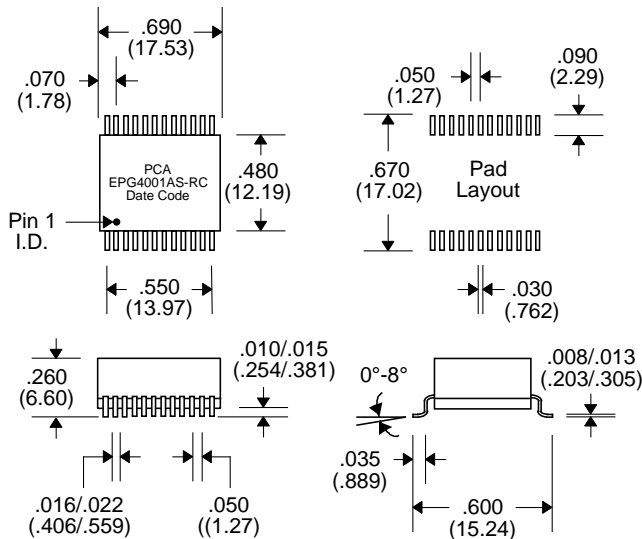
- Complies with or exceeds IEEE 802.3ab 1000Base-T
- Guaranteed to operate with 10/100Base-TX
- 1500 Vrms Isolation
- RoHS Compliant

Electrical Parameters @ 25° C

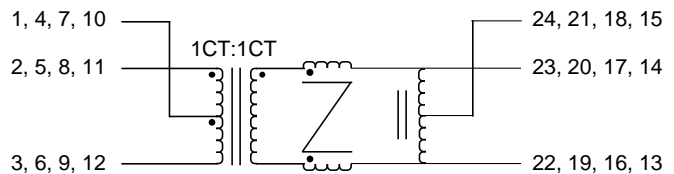
OCL (μ H Min.)	Insertion Loss (dB Max.)			Return Loss (dB Min.)				CMRR (dB Min.)	Common to Differential (dB Min.)				Crosstalk (dB Min.)			
	1-65 MHz	65-100 MHz	100-125 MHz	1-40 MHz	60 MHz	80 MHz	100 MHz		1-80 MHz	1 MHz	30 MHz	50 MHz	100 MHz	1-40 MHz	60 MHz	100 MHz
@ 100 KHz, 0.1 Vrms 8 mA DC bias																
350 (Media Side)	-1	-1.1	-1.5	-18	-15	-12	-10	-30	-60	-40	-35	-30	-40	-35	-30	

• Rise Time : 1.75 nS Max. • Impedance : 100 •

Package



Schematic



Notes :	EPG4001AS	EPG4001AS-RC
1. Assembly Process (Lead Frame Finish) (Solder Composition) (Assembly Solder)	SnPb	Sn or SnAG
2. Peak Solder Rating (per IPC/JEDEC J-STD-020C)	225°C (+0/-5°C)	260°C (+0°C)
3. Moisture Sensitive Levels (MSL) (per IPC/JEDEC J-STD-020C)	3 (168 Hours, 30°C/60%RH)	4 (72 Hours, 30°C/60%RH)
4. Weight	3.35 grams	3.35 grams
5. Packaging Information (Tube)	30 pieces	30 pieces
(Tape & Reel)	350 pieces/13" reel (*EPG4001AS-TR)	350 pieces/13" reel (*EPG4001AS-RCTR)

Unless Otherwise Specified Dimensions are in Inches /mm \pm .010 / .25