

Token Ring 20 Pin Transceiver Module

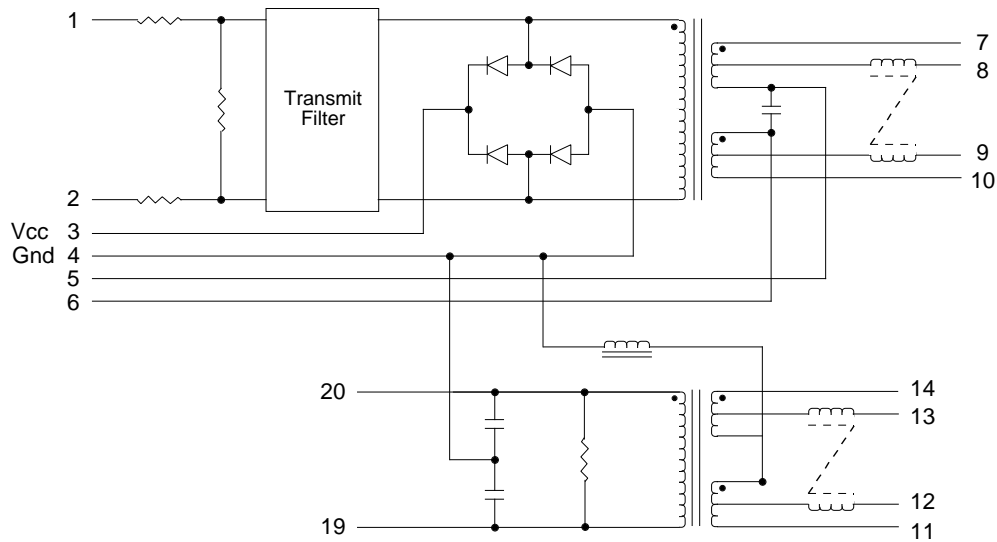
Features

- Designed to interface with Texas Instrument's TI380C60
- Supports both STP and UTP Transmission
- IEEE 802.5 Compatible

Electrical Specifications @ 25°C

PCA Part Number		EPT7062				
Characteristic Impedance		150				
Insertion Loss Transmit	1-16 MHz	24 MHz	32 MHz	Return Loss Transmit	1-16 MHz	
	-0.8 dB Max.	-1.7 dB Max.	-7.0 dB Min.		-19.0 dB Min.	
Insertion Loss Receive	1-16 MHz	24 MHz		Return Loss Receive	1-16 MHz	
	-0.5 dB Max.	-0.5 dB Max.			-15.0 dB Min.	
Common Mode Rejection	1-20 MHz	100 MHz	Crosstalk	8 MHz	16 MHz	32 MHz
	-70.0 dB Typ.	-45.0 dB Typ.		-80.0 dB Typ.	-75.0 dB Typ.	-60.0 dB Typ.

Schematic



Package

