

## GaAs PHEMT MMIC LOW NOISE AMPLIFIER, 2 - 4 GHz

### Typical Applications

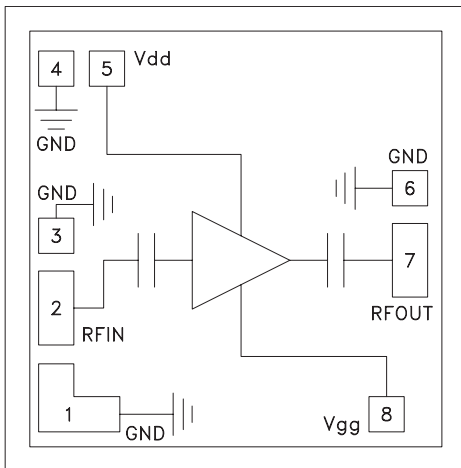
The HMC594 is ideal for:

- Fixed Microwave
- Point-to-Multi-Point Radios
- Test & Measurement Equipment
- Radar & Sensors
- Military & Space

### Features

- Gain Flatness:  $\pm 0.2$  dB
- Noise Figure: 2.6 dB
- Gain: 10 dB
- OIP3: +36 dBm
- DC Supply: +6V @ 100 mA
- 50 Ohm Matched Input/Output
- Die Size: 1.32 x 1.21 x 0.10 mm

### Functional Diagram



### General Description

The HMC594 is a GaAs PHEMT MMIC Low Noise Amplifier (LNA) chip which operates from 2 to 4 GHz. The HMC594 features extremely flat performance characteristics including 10 dB of small signal gain, 2.6 dB of noise figure and output IP3 of +36 dBm across the operating band. This versatile LNA is ideal for hybrid and MCM assemblies due to its compact size, consistent output power and DC blocked RF I/O's. All data is measured with the chip in a 50 Ohm test fixture connected via one 0.025 mm (1 mil) diameter bondwire of minimal length 0.31 mm (12 mil).

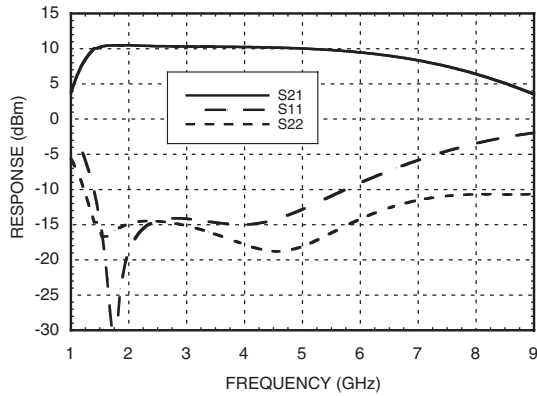
### Electrical Specifications, $T_A = +25^\circ\text{C}$ , $V_{dd} = +6\text{V}$ , $I_{dd} = 100\text{mA}$ \*

| Parameter                                | Min.  | Typ.  | Max. | Units |
|--|-------|-------|------|-------|
| Frequency Range                          | 2 - 4 |       |      | GHz   |
| Gain                                     | 7     | 10    |      | dB    |
| Gain Variation Over Temperature          |       | 0.015 |      | dB/°C |
| Noise Figure                             |       | 2.6   | 3.5  | dB    |
| Input Return Loss                        |       | 15    |      | dB    |
| Output Return Loss                       |       | 15    |      | dB    |
| Output Power for 1 dB Compression (P1dB) | 18    | 21    |      | dBm   |
| Saturated Output Power (Psat)            |       | 22    |      | dBm   |
| Output Third Order Intercept (IP3)       |       | 36    |      | dBm   |
| Supply Current (Idd)                     |       | 100   | 130  | mA    |

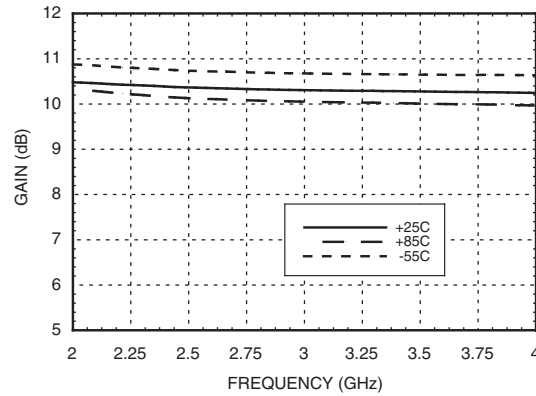
\*Adjust Vgg between -1.5V to -0.5V to achieve Idd = 100mA

**GaAs PHEMT MMIC LOW NOISE  
AMPLIFIER, 2 - 4 GHz**

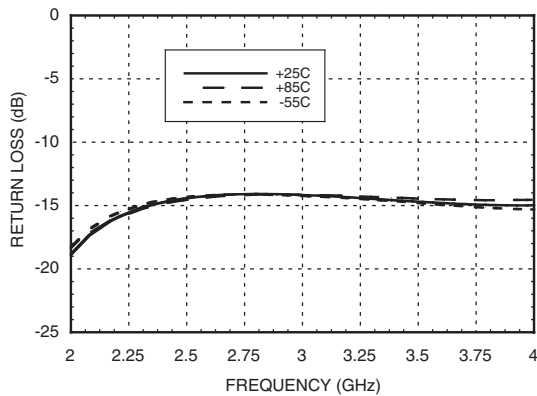
**Broadband Gain & Return Loss**



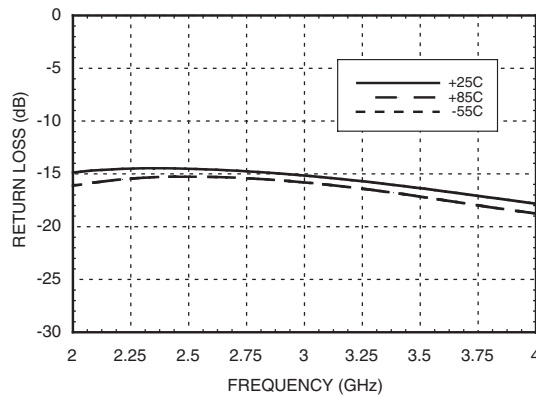
**Gain vs. Temperature**



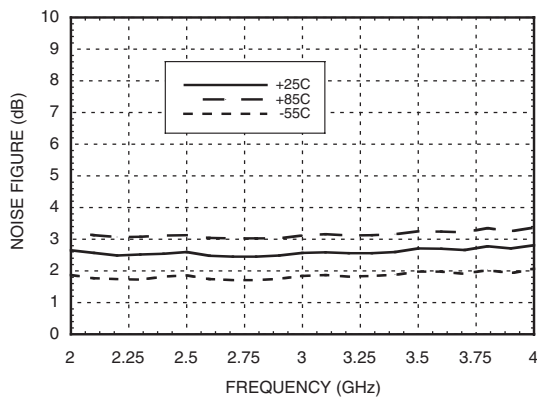
**Input Return Loss vs. Temperature**



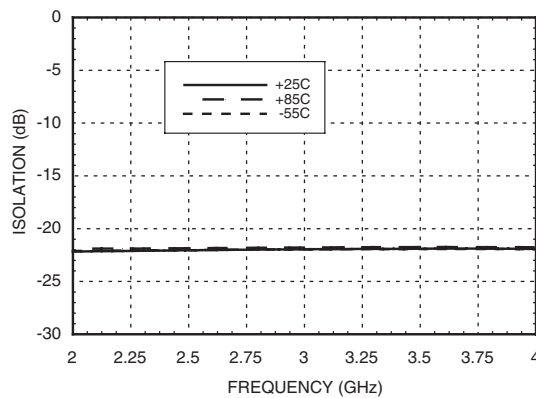
**Output Return Loss vs. Temperature**



**Noise Figure vs. Temperature**



**Reverse Isolation vs. Temperature**

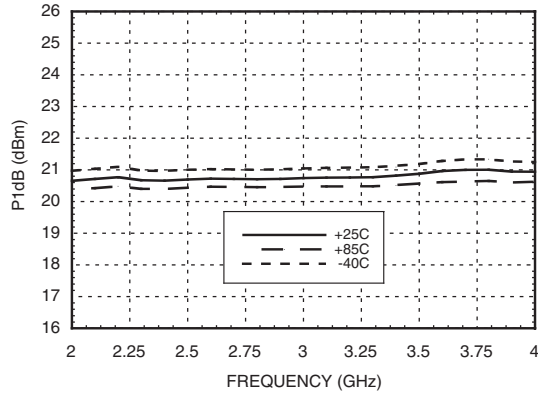


**GaAs PHEMT MMIC LOW NOISE  
AMPLIFIER, 2 - 4 GHz**

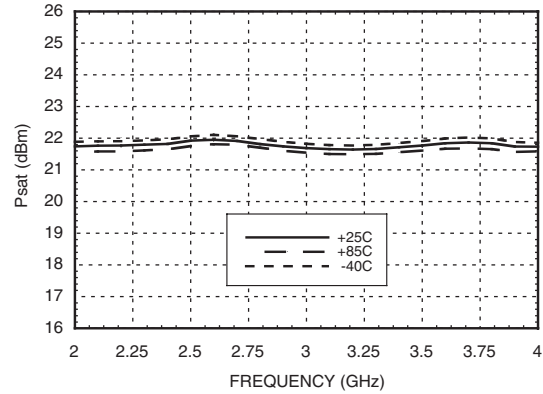
1

AMPLIFIERS - CHIP

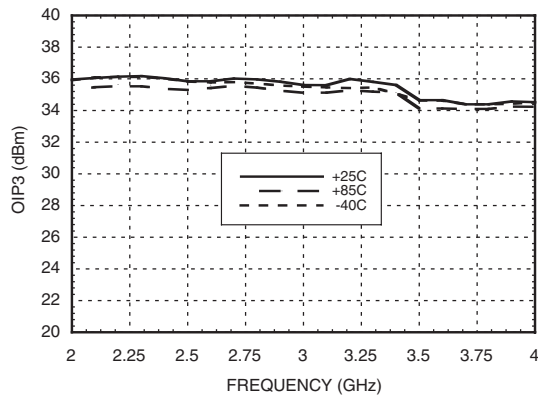
**P1dB vs. Temperature**



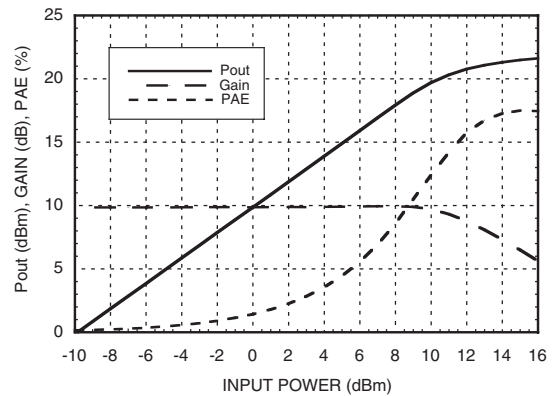
**Psat vs. Temperature**



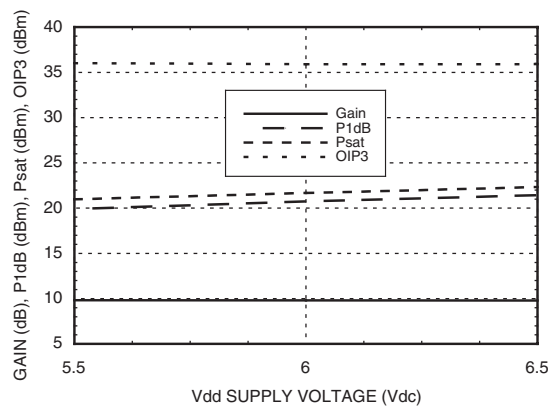
**Output IP3 vs. Temperature**



**Power Compression @ 3 GHz**



**Gain, Noise Figure & Power vs.  
Supply Voltage @ 3 GHz**



**GaAs PHEMT MMIC LOW NOISE  
AMPLIFIER, 2 - 4 GHz**

**Absolute Maximum Ratings**

|  |                |
|--|----------------|
| Drain Bias Voltage (Vdd)                                       | +7 Vdc         |
| RF Input Power (RFIn)(Vdd = +6.0 Vdc)                          | +15 dBm        |
| Channel Temperature  | 175 °C         |
| Continuous Pdiss (T= 85 °C)<br>(derate 11.7 mW/°C above 85 °C) | 0.76 W         |
| Thermal Resistance<br>(channel to die bottom)                  | 85 °C/W        |
| Storage Temperature  | -65 to +150 °C |
| Operating Temperature  | -55 to +85 °C  |

**Typical Supply Current vs. Vdd**

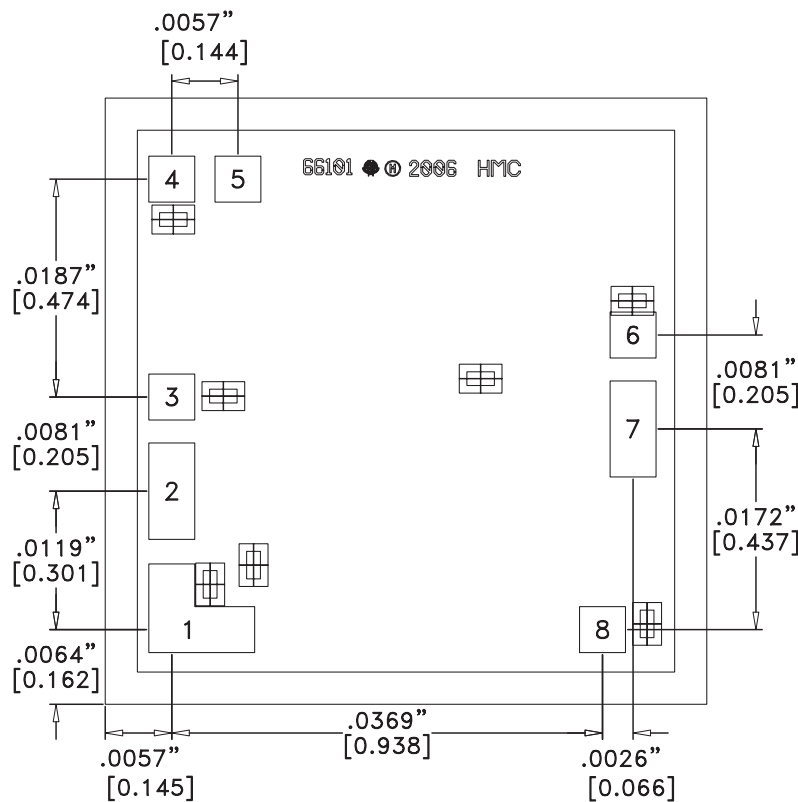
| Vdd (Vdc) | Idd (mA) |
|-----------|----------|
| +5.5      | 97       |
| +6.0      | 100      |
| +6.5      | 103      |

Note: Amplifier will operate over full voltage ranges shown above.



ELECTROSTATIC SENSITIVE DEVICE  
OBSERVE HANDLING PRECAUTIONS

**Outline Drawing**



**Die Packaging Information [1]**

| Standard | Alternate |
|----------|-----------|
| GP-1     | [2]       |

[1] Refer to the "Packaging Information" section for die packaging dimensions.

[2] For alternate packaging information contact Hittite Microwave Corporation.


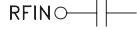
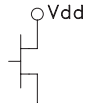
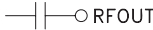
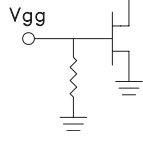
NOTES:

1. ALL DIMENSIONS ARE IN INCHES [MM]
2. DIE THICKNESS IS .004"
3. TYPICAL BOND IS .004" SQUARE
4. BACKSIDE METALLIZATION: GOLD
5. BOND PAD METALLIZATION: GOLD
6. BACKSIDE METAL IS GROUND.
7. CONNECTION NOT REQUIRED FOR UNLABELED BOND PADS.

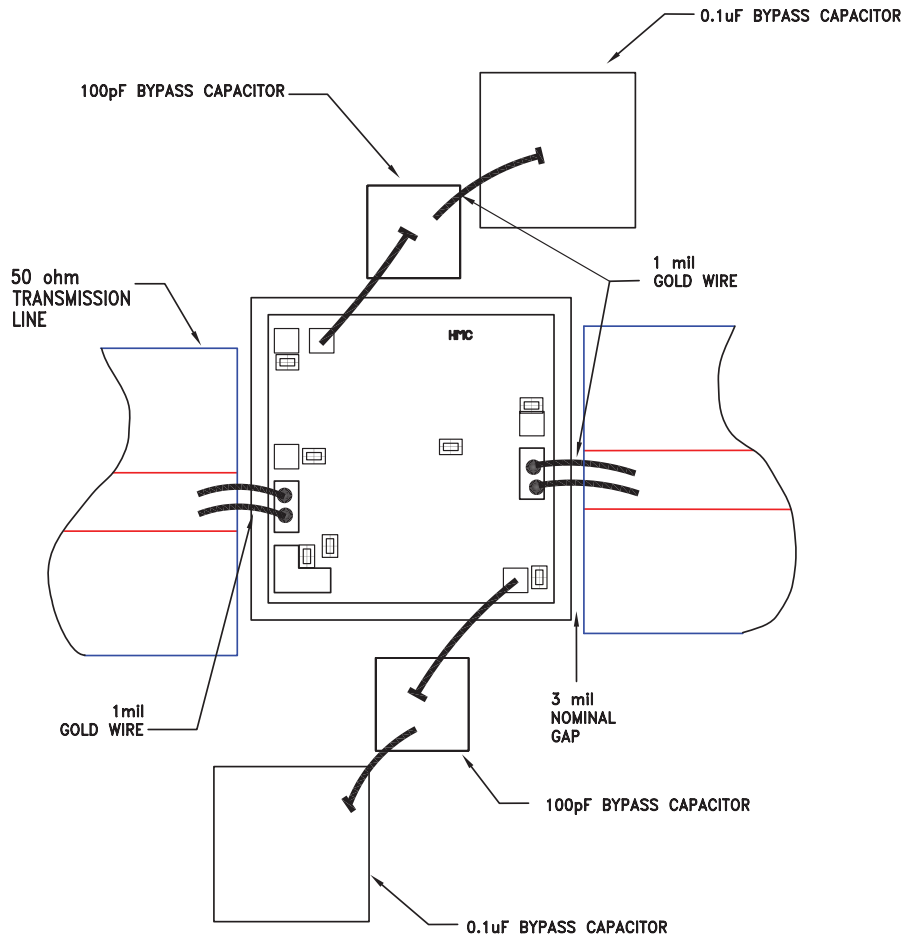
For price, delivery, and to place orders, please contact Hittite Microwave Corporation:  
20 Alpha Road, Chelmsford, MA 01824 Phone: 978-250-3343 Fax: 978-250-3373  
Order On-line at [www.hittite.com](http://www.hittite.com)

**GaAs PHEMT MMIC LOW NOISE  
AMPLIFIER, 2 - 4 GHz**

**Pad Descriptions**

| Pad Number               | Function | Description   | Interface Schematic   |
|--------------------------|----------|---|---|
| 1, 3, 4, 6<br>Die Bottom | GND      | This pad and die bottom must be connected to RF/DC ground.  |  |
| 2                        | RFIN     | This pad is AC coupled and matched to 50 Ohms from 2 - 4 GHz.   |  |
| 5                        | Vdd      | Power Supply Voltage for the amplifier. External bypass capacitors of 100 pF and 0.1 μF are required. |  |
| 7                        | RFOUT    | This pad is AC coupled and matched to 50 Ohms from 2 - 4 GHz.   |  |
| 8                        | Vgg      | Gate supply voltage for the amplifier. External bypass capacitors of 100 pF and 0.1 μF are required.  |  |

**Assembly Diagram**



For price, delivery, and to place orders, please contact Hittite Microwave Corporation:  
20 Alpha Road, Chelmsford, MA 01824 Phone: 978-250-3343 Fax: 978-250-3373  
Order On-line at [www.hittite.com](http://www.hittite.com)

**GaAs PHEMT MMIC LOW NOISE  
AMPLIFIER, 2 - 4 GHz**

**Mounting & Bonding Techniques for Millimeterwave GaAs MMICs**

The die should be attached directly to the ground plane eutectically or with conductive epoxy (see HMC general Handling, Mounting, Bonding Note).

50 Ohm Microstrip transmission lines on 0.127mm (5 mil) thick alumina thin film substrates are recommended for bringing RF to and from the chip (Figure 1). If 0.254mm (10 mil) thick alumina thin film substrates must be used, the die should be raised 0.150mm (6 mils) so that the surface of the die is coplanar with the surface of the substrate. One way to accomplish this is to attach the 0.102mm (4 mil) thick die to a 0.150mm (6 mil) thick molybdenum heat spreader (moly-tab) which is then attached to the ground plane (Figure 2).

Microstrip substrates should be brought as close to the die as possible in order to minimize bond wire length. Typical die-to-substrate spacing is 0.076mm (3 mils).

**Handling Precautions**

Follow these precautions to avoid permanent damage.

**Storage:** All bare die are placed in either Waffle or Gel based ESD protective containers, and then sealed in an ESD protective bag for shipment. Once the sealed ESD protective bag has been opened, all die should be stored in a dry nitrogen environment.

**Cleanliness:** Handle the chips in a clean environment. DO NOT attempt to clean the chip using liquid cleaning systems.

**Static Sensitivity:** Follow ESD precautions to protect against > ± 250V ESD strikes.

**Transients:** Suppress instrument and bias supply transients while bias is applied. Use shielded signal and bias cables to minimize inductive pick-up.

**General Handling:** Handle the chip along the edges with a vacuum collet or with a sharp pair of bent tweezers. The surface of the chip has fragile air bridges and should not be touched with vacuum collet, tweezers, or fingers.

**Mounting**

The chip is back-metallized and can be die mounted with AuSn eutectic preforms or with electrically conductive epoxy. The mounting surface should be clean and flat.

**Eutectic Die Attach:** A 80/20 gold tin preform is recommended with a work surface temperature of 255 °C and a tool temperature of 265 °C. When hot 90/10 nitrogen/hydrogen gas is applied, tool tip temperature should be 290 °C. DO NOT expose the chip to a temperature greater than 320 °C for more than 20 seconds. No more than 3 seconds of scrubbing should be required for attachment.

**Epoxy Die Attach:** Apply a minimum amount of epoxy to the mounting surface so that a thin epoxy fillet is observed around the perimeter of the chip once it is placed into position. Cure epoxy per the manufacturer's schedule.

**Wire Bonding**

Ball or wedge bond with 0.025 mm (1 mil) diameter pure gold wire is recommended. Thermosonic wirebonding with a nominal stage temperature of 150 °C and a ball bonding force of 40 to 50 grams or wedge bonding force of 18 to 22 grams is recommended. Use the minimum level of ultrasonic energy to achieve reliable wirebonds. Wirebonds should be started on the chip and terminated on the package or substrate. All bonds should be as short as possible <0.31 mm (12 mils).

