

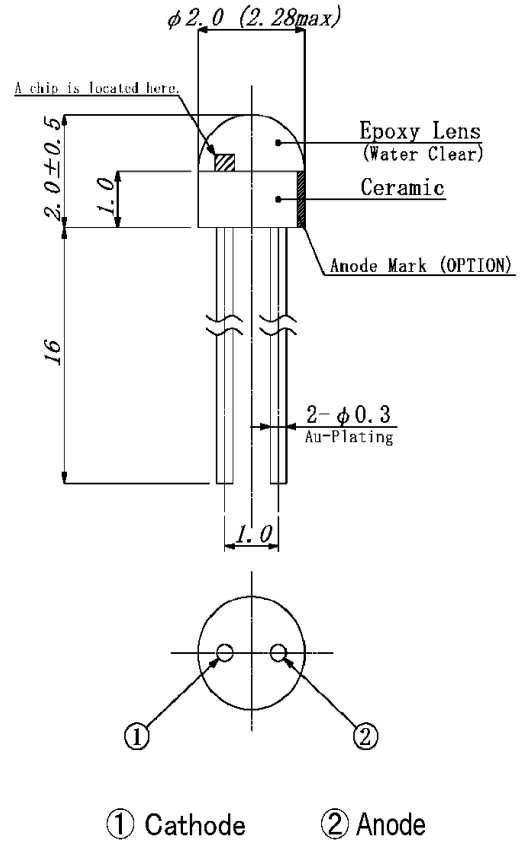
MT1059A-UY

Features

High Power Output
Wide Viewing Angle
Compact

Applications

Optical Switches
Indicator
Light Source for Sensor



Maximum Ratings (Ta=25°C)

Characteristic	Symbol	Max.	Test Condition	Unit
Forward Current	I _F	30	-	mA
Pulsed Forward Current	I _{FP}	.30	tw=10μ S, T=10mS	A
Reverse Voltage	V _R	5	-	V
Power Dissipation	P _D	80.00	-	mW
Operating Temperature	T _{opr}	-20 ~ +80	-	°C
Storage Temperature	T _{stg}	-30 ~+100	-	°C
Junction Temperature	T _j	100	-	°C
Soldering Temperature	T _{sol}	260	for 5 sec. max	°C

Opto-Electrical Characteristics (Ta=25°C)

Characteristic	Symbol	Test Condition	Min	Typ	Max	Unit
Forward Voltage	V _F	I _F =20mA	-	2.10	2.50	V
Reverse Current	I _R	V _R =5V	-	-	100	μA
Power Output	PO	I _F =20mA	-	1.00	-	mW
Luminous Intensity	I _v	I _F =20mA	-	80.00	-	mcd
Half Intensity Beam Angle	θ	-	-	± 60°	-	deg.
Peak Wavelength	λ _p	I _F =20mA	-	590	-	nm
Dominant Wavelength	λ _d	I _F =20mA	-	587	-	nm
Spectral Line Half Width	Δλ	I _F =20mA	-	13	-	nm

MT1059A-UY Graphs

