

UTCPUMT1 PNP EPITAXIAL SILICON TRANSISTOR

PNP GENERAL PURPOSE DUAL TRANSISTOR

DESCRIPTION

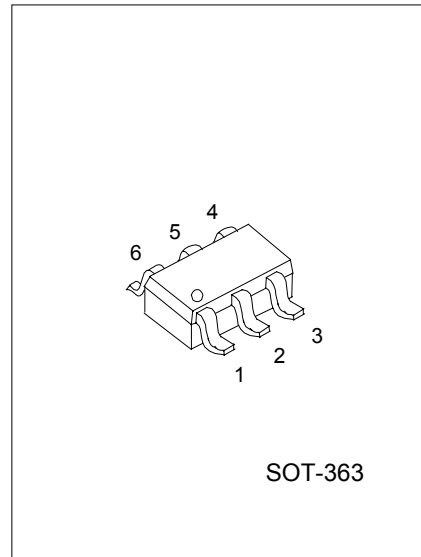
Two independently operating PNP transistors.

FEATURES

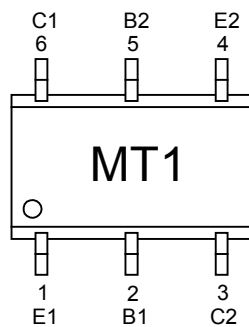
- *Low current (max.100mA)
- *Low voltage (max.40V)
- *Reduces number of components and board space.
- * Complement to PUMX1.

APPLICATIONS

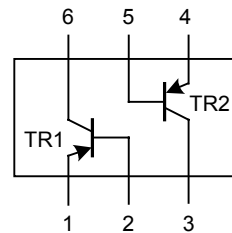
- *General purpose switching and amplification.



PIN CONFIGURE/MARKING CODE



EQUIVALENT CIRCUITS



UTC PUMT1 PNP EPITAXIAL SILICON TRANSISTOR

The following characteristics apply to both Tr1 and Tr2

ABSOLUTE MAXIMUM RATINGS (Ta=25°C)

PARAMETER	SYMBOL	RATING	UNIT
Collector-base voltage	V _{CB0}	-50	V
Collector-emitter voltage	V _{CEO}	-40	V
Emitter-base voltage	V _{EBO}	-5	V
Collector current (DC)	I _c	-100	mA
Peak collector current	I _{CM}	-200	mA
Peak base current	I _{BM}	-200	mA
Collector Power Dissipation (total)	P _c	300	mW
Junction temperature	T _j	150	°C
Storage temperature	T _{stg}	-65~+150	°C

ELECTRICAL CHARACTERISTICS (Ta=25°C)

PARAMETER	SYMBOL	CONDITION	MIN	MAX	UNIT
Collector cut-off current	I _{CBO}	I _E =0, V _{CB} =-30V		-100	nA
		I _E =0, V _{CB} =-30V, T _j =150°C		-10	μA
Emitter cut-off current	I _{EBO}	V _{EB} =-4V, I _c =0		-100	nA
DC current gain	h _{FE}	I _c =-1mA, V _{CE} =-6V	120		
Collector-emitter saturation voltage	V _{CE(sat)}	I _c =-50mA, I _B =-5mA (note 1)		-200	mV
Collector capacitance	C _c	I _E =I _E =0, V _{CB} =-12V, f=1MHz		2.2	pF
Transition frequency	f _r	I _c =-2mA, V _{CE} =-12V, f=100MHz	100		MHz

Note:1. Pulse test: t_p ≤ 300μs, δ ≤ 0.02

UTC assumes no responsibility for equipment failures that result from using products at values that exceed, even momentarily, rated values (such as maximum ratings, operating condition ranges, or other parameters) listed in products specifications of any and all UTC products described or contained herein. UTC products are not designed for use in life support appliances, devices or systems where malfunction of these products can be reasonably expected to result in personal injury. Reproduction in whole or in part is prohibited without the prior written consent of the copyright owner. The information presented in this document does not form part of any quotation or contract, is believed to be accurate and reliable and may be changed without notice.