



Solid State Devices, Inc.

14701 Firestone Blvd * La Mirada, Ca 90638
 Phone: (562) 404-7855 * Fax: (562) 404-1773
 ssdi@ssdi-power.com * www.ssdi-power.com

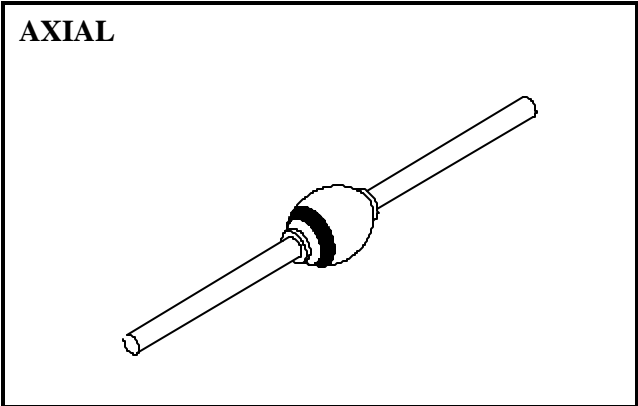
**SGB10UF
and
SGB35UF**

**60 mA
1000 - 3500 VOLTS
60 nsec
HIGH VOLTAGE
RECTIFIER**

Designer's Data Sheet

FEATURES:

- Ultra Fast Recovery: 60nsec Maximum
- PIV to 3500 Volts
- Hermetically Sealed
- Void-Free Construction
- Metallurgically Bonded
- 175°C Maximum Operating Temperature
- Micro Miniature Package
- TX, TXV, and Space Level Screening Available



ELECTRICAL CHARACTERISTICS

Part Number	Peak Inverse Voltage	Average Rectifier Current		Maximum Reverse Current		Maximum Forward Voltage	Maximum Surge Current (1 Cycle)	Maximum Reverse Recovery Time	Maximum Junction Capacitance	Typical Thermal Impedance
		I_0		I_R @ PIV						
Symbol	PIV	I_0		I_R @ PIV		V_F ^{2/}	I_{FSM}	t_{RR} ^{5/}	C_J	θ_{JL}
Units	Volts	mA		mA		Volts	Amps	nsec	pF	°C/W
Conditions		25°C	100°C	25°C	100°C	25°C	25°C	25°C	$V_R = 100V$ $f_T = 1MHZ$	$L = 1/4''$
SGB10UF	1000	60	45	0.1	10	9.5	5	60	1.0	185
SGB15UF	1500	60	45	0.1	10	9.5	5	60	1.0	185
SGB20UF	2000	60	45	0.1	10	9.5	5	60	1.0	185
SGB25UF	2500	60	45	0.1	10	9.5	5	60	1.0	185
SGB30UF	3000	60	45	0.1	10	9.5	5	60	1.0	185
SGB35UF	3500	60	45	0.1	10	9.5	5	60	1.0	185



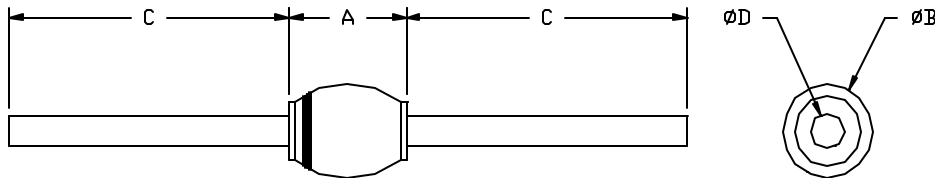
Solid State Devices, Inc.

14701 Firestone Blvd * La Mirada, Ca 90638
Phone: (562) 404-7855 * Fax: (562) 404-1773
ssdi@ssdi-power.com * www.ssdi-power.com

**SGB10UF
and
SGB35UF**

PACKAGE OUTLINE: AXIAL RECTIFIER

DIMENSIONS		
DIM	MIN	MAX
A	--	.150"
B	--	.090"
C	1.00"	--
D	.022"	.028"



NOTES:

1. Operating and testing over 10,000 V/inch may require encapsulation or immersion in suitable dielectric material.
2. $I_F = I_Q$; Maximum forward voltage measured with instantaneous forward pulse of 300msec minimum.
3. Maximum lead temperature for soldering is 250°C, 3/8" from case for 5 sec maximum.
4. Operating and Storage temperature: -65 to +175°C.
5. Reverse Recovery Test Conditions: $I_F = 50\text{mA}$, $I_R = 100\text{mA}$, $I_{RR} = 25\text{mA}$, $T_A = 25^\circ\text{C}$.
6. Consult manufacturing for operating curves.

NOTE: All specifications are subject to change without notification.
SCD's for these devices should be reviewed by SSDI prior to release.

DATA SHEET #: RV0003E

DOC