

ELECTRICAL SPECIFICATIONS:

OPERATING TEMPERATURE RANGE:

: -40°C TO +85°C

NOTE:

PINS NOT ELECTRICALLY CONNECTED ARE OMITTED.

1.0 INDUCTANCE: (P6-J6) : (P1-J1)

: 65 uH TYP @.01V, 10KHz

2.0 DC RESISTANCE: P6-J6
P3-J3
P2-J2
P1-J1

: .5 OHM MAX
: .5 OHM MAX
: .5 OHM MAX
: .5 OHM MAX

3.0 3.0 COMMON MODE:

: CMA (-dB)

FREQUENCY (MHz)	TYPICAL	MIN
1	8	5
5	17	15
20	23	15
70	25	20
200	22	17
500	11	6

Bel Stewart Connector
11118 Susquehanna Trail, South
Glen Rock, Pa 17327-9199
717.234.7512

MagJack[®]

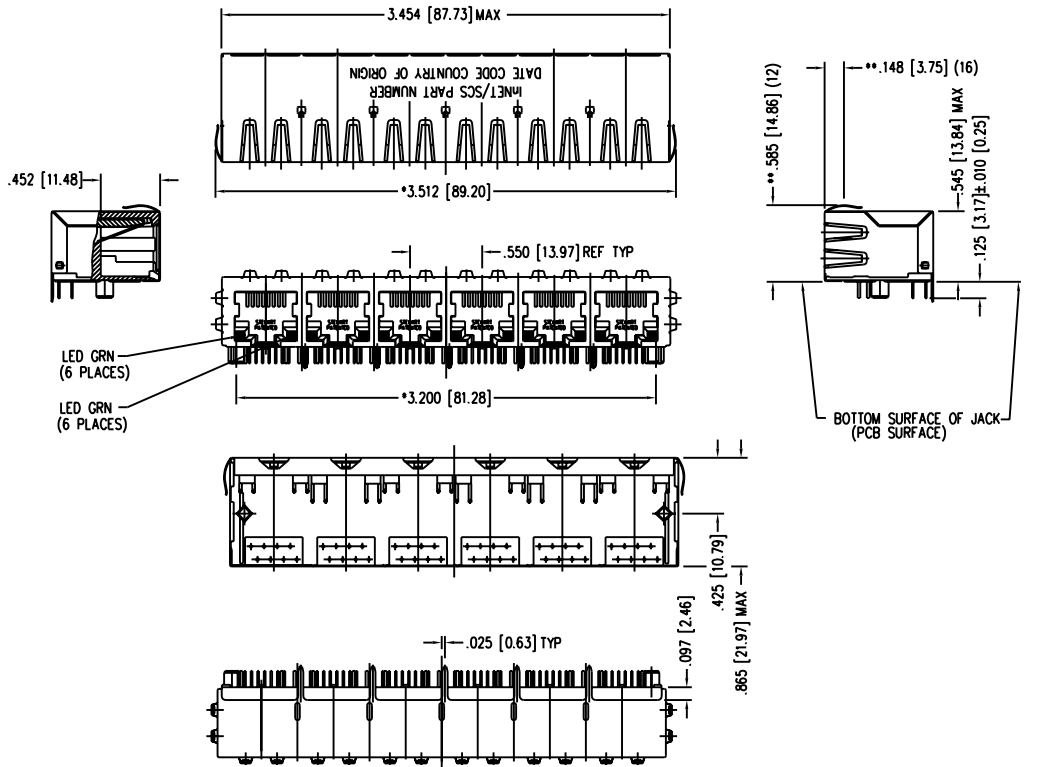
<http://www.stewartconnector.com>

SHEET
2 OF 7

DRAWING NO. C0008

REV.

SHIELDING: "PG4-BZ" EMI-RFI ONE PIECE SHIELDED, ESD GROUNDING
6 PORT PCB HARMONICA LED MagJack™



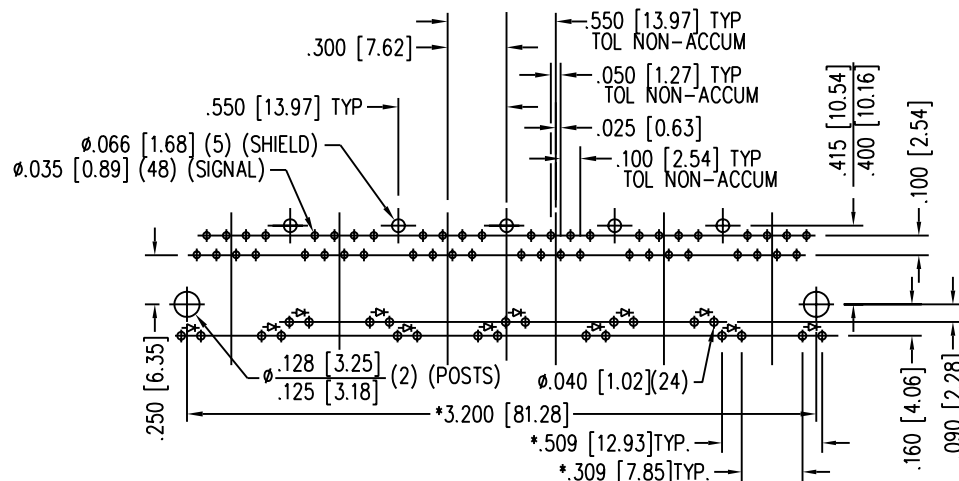
NOTES:

- "PG4" DESIGNATES INCLUSION OF ALL SIDE PANEL GROUNDS.
- "BZ" DESIGNATES REAR SOLDER TAILS OFFSET .025 AND THE ABSENCE OF BOTTOM PANEL GROUNDS AND SIDE SOLDER TAILS.
- TOLERANCES COMPLY WITH F.C.C. DIMENSION REQUIREMENTS
- DIMENSIONS SHOWN WITH "*" TO BE CENTRAL ABOUT CENTER LINE
- "*" ON DIMENSION INDICATES HIGHEST POINT OF BEAM
- DIMENSIONS SHOWN ARE SUBJECT TO CHANGE WITHOUT NOTICE
- PINS NOT ELECTRICALLY CONNECTED MAYBE OMITTED.
- SEE ELECTRICAL DRAWING FOR OMITTED PINS.
- STANDARD 50 MICRO-INCH SELECTIVE GOLD PLATING
- REFLOW COMPATIBLE - 230°C/90SECS.

LED SPECIFICATIONS

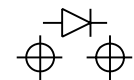
- * FORWARD VOLTAGE (MAX) : 2.5V
- * FORWARD VOLTAGE (TYP) : 2.25V GREEN
- * WITH A FORWARD CURRENT OF 20 mA
- POWER DISSIPATION : 105 mW
- WAVELENGTH: 590nm
- LUMINOUS INTENSITY @ 10mA:

	MIN	MAX
	2 MCD	8 MCD
	2 MCD	8 MCD



P.C.B. RECOMMENDED HOLE LAYOUT
SEEN FROM COMPONENT SIDE
TOLERANCE ±.003 [0.08] UNLESS OTHERWISE SPECIFIED

LED POLARITY
(ENLARGED VIEW)



SINGLE COLOR LED

Stewart Connector

<http://www.stewartconnector.com>

11118 Susquehanna Trail, South
Glen Rock, Pa 17327-9199
717.234.7512

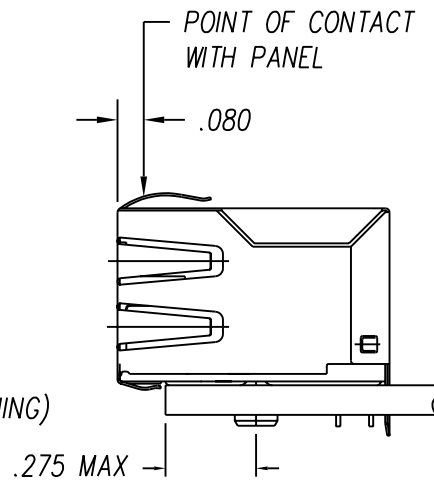
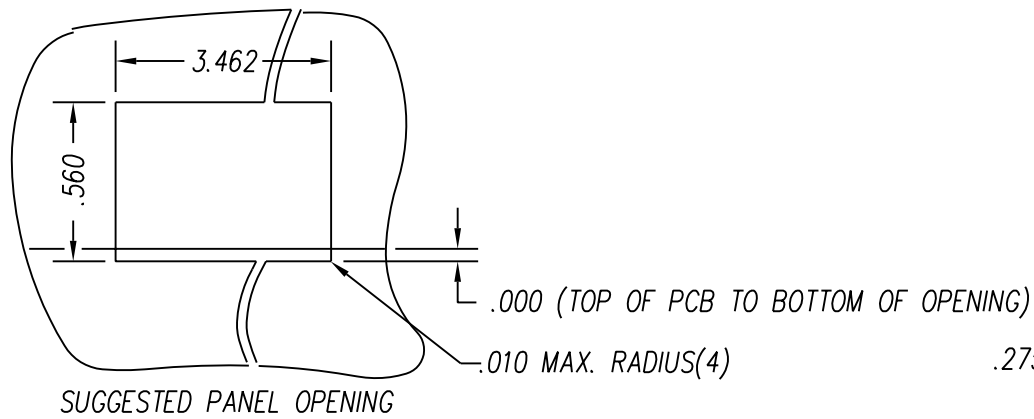
MagJack®



SHEET
2 OF 5

DRAWING NO.

24-0196

REV.



		http://www.stewartconnector.com	
11118 Susquehanna Trail, South Glen Rock, Pa 17327-9199 717.234.7512			
			
SHEET 3 OF 5	DRAWING NO. 24-0196	REV.	