

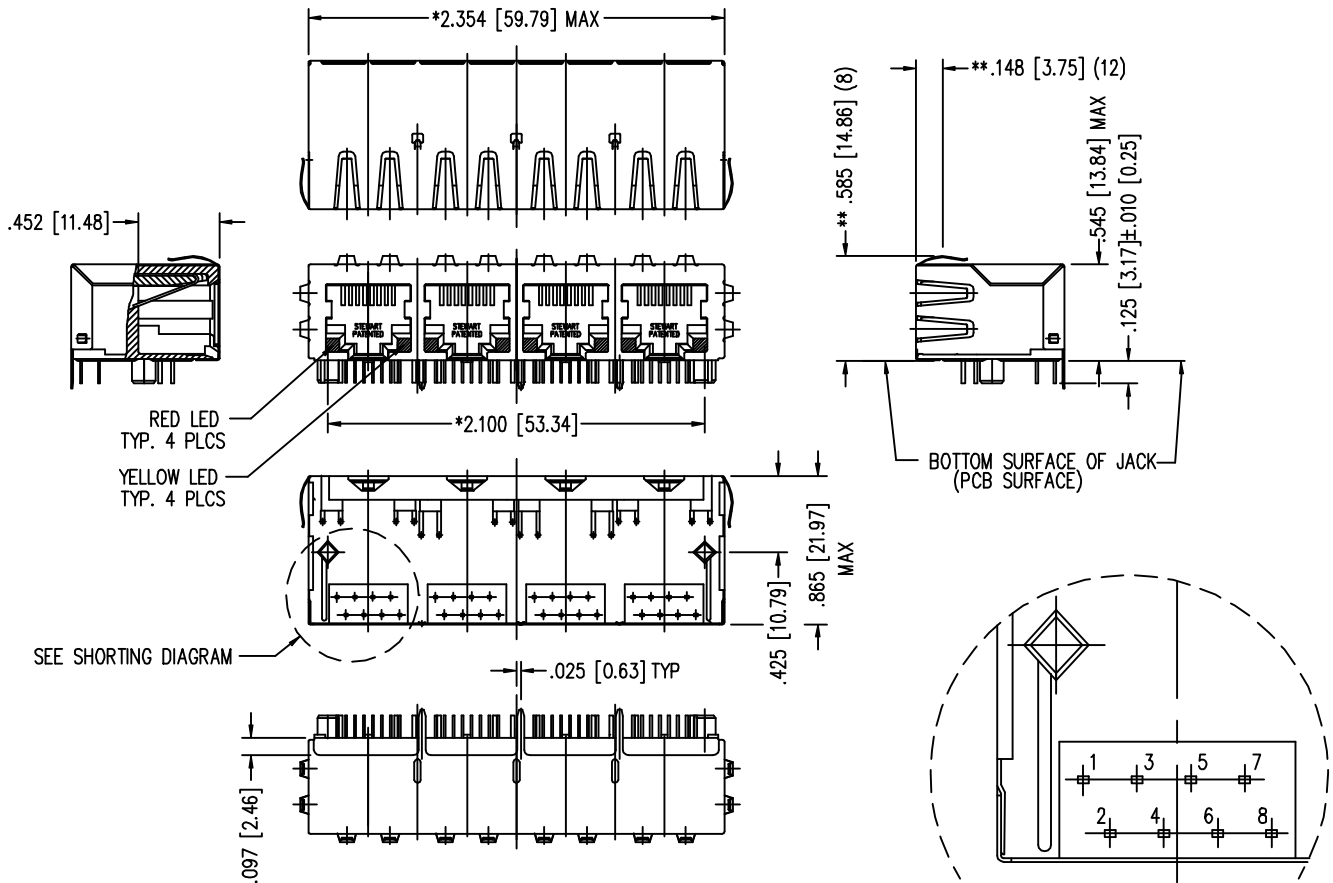


**Stewart Connector Systems, Inc.**  
**Insilco Technologies Group**  
 11118 Susquehanna Trail South  
 Glen Rock, PA 17327-9199  
 (717) 235-7512 Fax: (717) 235-7954

REV.	REVISION CHANGES
A0	AS DRAWN

PART NO. SS-748804SFR1-A428

EMI-RFI ONE PIECE SHIELDED, ESD GROUNDED  
 4 PORT PCB HARMONICA LED JACK PAC  
 "FR1" DENOTES FERRITE INSERT  
 "-A428" DESIGNATES THE FOLLOWING:  
 JACK CONTAINS A RED AND YELLOW LED PER PORT  
 "PG4-BZ" SHIELD FEATURES - REAR SOLDER TAILS OFFSET .025  
 AND THE ABSENCE OF BOTTOM PANEL GROUNDS AND SIDE SOLDER TAILS  
 WITH "-SB00" CIRCUIT - SHORTING CONTACTS 1 TO 4 AND 2 TO 5



**FOR REFERENCE ONLY**

SHORTING DIAGRAM

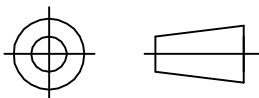
NOTES:

- FOR LED DATA AND FOOTPRINT SEE SHEET 4 OF 4
- TOLERANCES COMPLY WITH F.C.C. DIMENSION REQUIREMENTS
- DIMENSIONS SHOWN WITH "\*" TO BE CENTRAL ABOUT CENTER LINE
- "\*\*\*" ON DIMENSION INDICATES HIGHEST POINT OF BEAM
- DIMENSIONS SHOWN ARE SUBJECT TO CHANGE WITHOUT NOTICE
- CONSULT FACTORY BEFORE ORDERING

AVAILABLE WITH:

- 30 & 50 MICRO-INCH SELECTIVE GOLD PLATING
- LOADED 1 - 8 CONTACTS

THIRD ANGLE PROJECTION



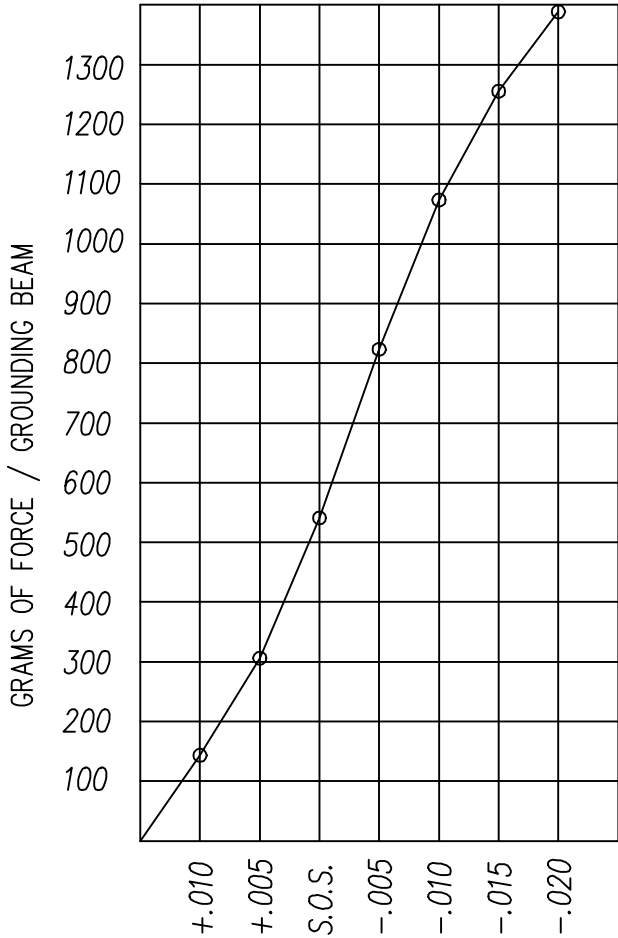
THIS DRAWING AND THE SUBJECT MATTER SHOWN THEREON ARE CONFIDENTIAL AND THE PROPRIETARY PROPERTY OF STEWART CONNECTOR SYSTEMS ("SCS") AND SHALL NOT BE REPRODUCED, COPIED OR USED IN ANY MANNER WITHOUT PRIOR WRITTEN CONSENT OF "SCS". THE SUBJECT MATTER MAY BE PATENTED OR A PATENT MAY BE PENDING. © SCS



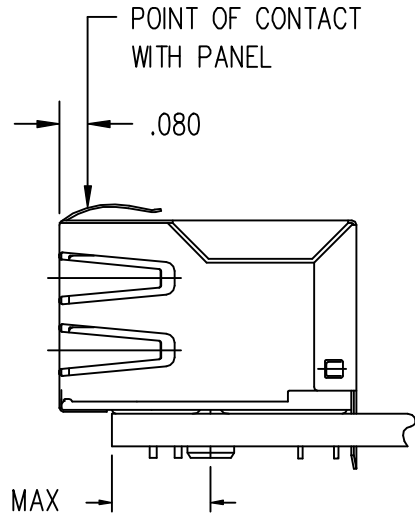
**Stewart Connector Systems, Inc.**  
**Insilco Technologies Group**  
 11118 Susquehanna Trail South  
 Glen Rock, PA 17327-9199  
 (717) 235-7512 Fax: (717) 235-7954

REV.	REVISION CHANGES
A0	AS DRAWN

PART NO. SS-748804SFR1-A428

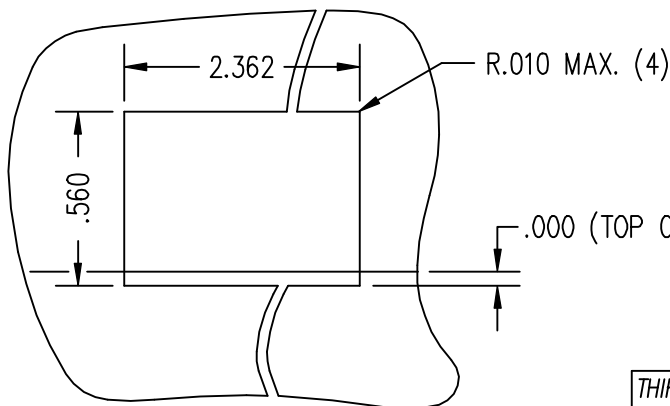


PANEL GROUNDING BEAM DEFLECTION  
 S.O.S. = SUGGESTED OPENING SIZE



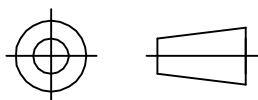
THE SUGGESTED PANEL OPENING IS INTENDED TO GIVE THE USER THE ABILITY TO HAVE REASONABLE JACK / PANEL CLEARANCES YET MAINTAIN RELIABLE GROUNDING CAPABILITY. THESE VARIABLES CAN BE ADJUSTED IN EITHER DIRECTION BUT MAY CARRY SOME CONSEQUENCES IN THE FORM OF LOWER MATING FORCES OR TIGHTER ASSEMBLY TOLERANCES. FORCE VALUES ON THE GRAPH ARE GENERAL AVERAGES TAKEN AT THE POINT OF CONTACT SHOWN ABOVE. THE SUGGESTED PANEL OPENING INCLUDES APPROXIMATELY .020 CLEARANCE ON THE SIDES AND TOP AND .005 ON THE BOTTOM.

**FOR REFERENCE ONLY**



SUGGESTED PANEL OPENING

THIRD ANGLE PROJECTION



THIS DRAWING AND THE SUBJECT MATTER SHOWN THEREON ARE CONFIDENTIAL AND THE PROPRIETARY PROPERTY OF STEWART CONNECTOR SYSTEMS ("SCS") AND SHALL NOT BE REPRODUCED, COPIED OR USED IN ANY MANNER WITHOUT PRIOR WRITTEN CONSENT OF "SCS". THE SUBJECT MATTER MAY BE PATENTED OR A PATENT MAY BE PENDING. © SCS

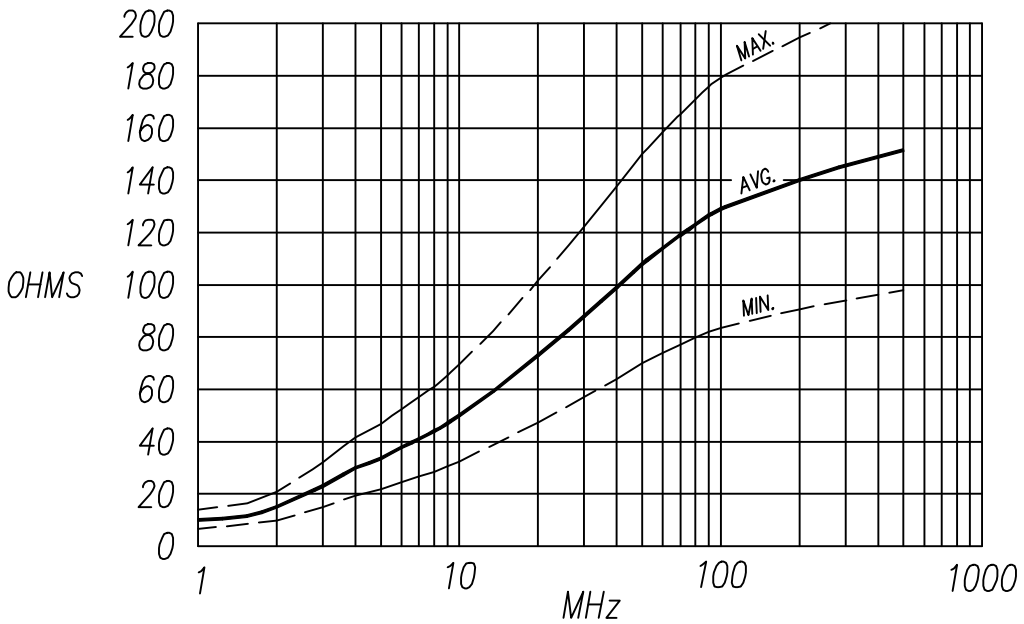


**Stewart Connector Systems, Inc.**  
**Insilco Technologies Group**  
 11118 Susquehanna Trail South  
 Glen Rock, PA 17327-9199  
 (717) 235-7512 Fax: (717) 235-7954

REV.	REVISION CHANGES
A0	AS DRAWN

PART NO. SS-748804SFR1-A428

FERRITE MATERIAL CHARACTERISTICS			
FERRITE MATERIAL DESIGNATION	NOISE SUPPRESSION RANGE	INITIAL PERMEABILITY @ B < 10 gauss	VOLUME RESISTIVITY OHM-CM.
FR1	30 MHz TO 200 MHz	500 TO 1500	$\geq 10^8$



IMPEDANCE CURVE for 7288FR1 INSERT

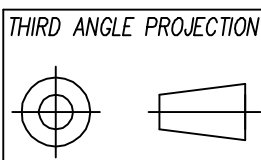
——— AVERAGE IMPEDANCE CURVE  
 - - - MAX. & MIN. IMPEDANCE CURVES

NOTE:  
 MAXIMUM AND MINIMUM IMPEDANCE VALUES ARE DEPENDENT ON:  
 1) HOLE POSITION WITHIN THE INSERT'S GEOMETRY, AND  
 2) FERRITE MATERIAL'S IMPEDANCE VALUE TOLERANCE OF  $\pm 25\%$ .

**FOR REFERENCE ONLY**

CT740045

SHT. 3 OF 4



THIS DRAWING AND THE SUBJECT MATTER SHOWN THEREON ARE CONFIDENTIAL AND THE PROPRIETARY PROPERTY OF STEWART CONNECTOR SYSTEMS ("SCS") AND SHALL NOT BE REPRODUCED, COPIED OR USED IN ANY MANNER WITHOUT PRIOR WRITTEN CONSENT OF "SCS". THE SUBJECT MATTER MAY BE PATENTED OR A PATENT MAY BE PENDING. © SCS



Stewart Connector Systems, Inc.  
 Insilco Technologies Group  
 11118 Susquehanna Trail South  
 Glen Rock, PA 17327-9199  
 (717) 235-7512 Fax: (717) 235-7954

REV.	REVISION CHANGES
A0	AS DRAWN

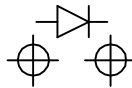
PART NO. SS-748804SFR1-A428

LED SPECIFICATIONS

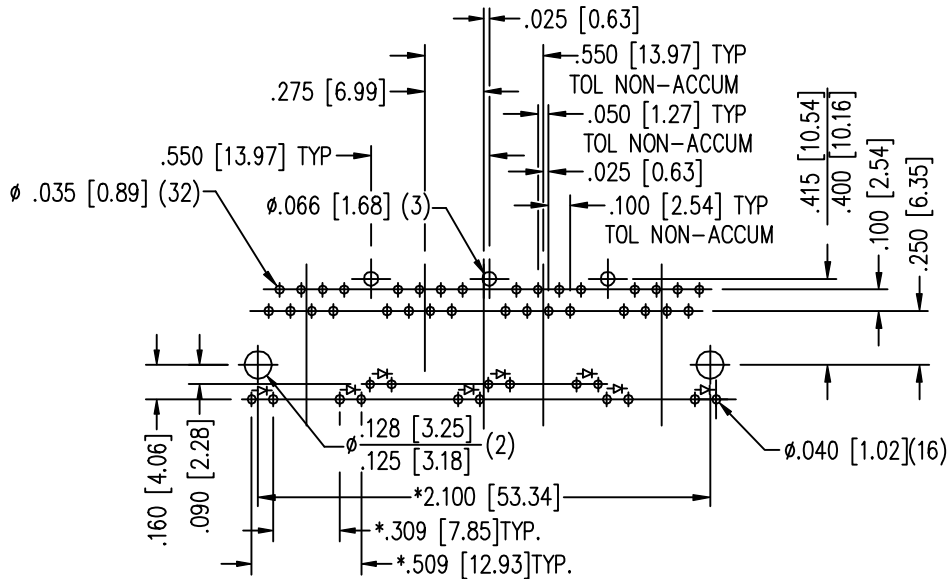
STANDARD LED	* FORWARD VOLTAGE (MAX)	* FORWARD VOLTAGE (TYP)	POWER DISSIPATION	WAVELENGTH	LUMINOUS INTENSITY @ 10mA	
					MIN	MAX
RED DIFFUSED	2.5 V	2.0 V	105 mW	625 nm	3.2 MCD	20 MCD
YELLOW DIFFUSED	2.5 V	2.1 V	105 mW	590 nm	2 MCD	8 MCD

\* WITH A FORWARD CURRENT OF 20 mA

LED POLARITY  
(ENLARGED VIEW)



SINGLE COLOR LED



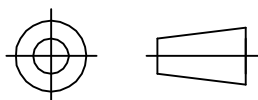
P.C.B. RECOMMENDED HOLE LAYOUT  
 SEEN FROM COMPONENT SIDE  
 TOLERANCE ±.003 [0.08] UNLESS OTHERWISE SPECIFIED

**FOR REFERENCE ONLY**

CT740045

SHT. 4 OF 4

THIRD ANGLE PROJECTION



THIS DRAWING AND THE SUBJECT MATTER SHOWN THEREON ARE CONFIDENTIAL AND THE PROPRIETARY PROPERTY OF STEWART CONNECTOR SYSTEMS ("SCS") AND SHALL NOT BE REPRODUCED, COPIED OR USED IN ANY MANNER WITHOUT PRIOR WRITTEN CONSENT OF "SCS". THE SUBJECT MATTER MAY BE PATENTED OR A PATENT MAY BE PENDING. © SCS