

**FEATURES**

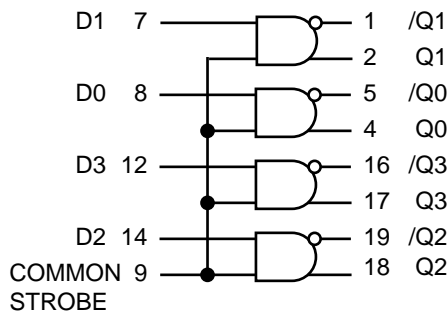
- Single 5V power supply
- All V<sub>CC</sub> pins isolated on chip
- Differentially drive balanced lines
- t<sub>pd</sub> 1.3ns typical
- Fully compatible with ON Semiconductor MC10H351
- Available in 20-pin PLCC package

**DESCRIPTION**

The SY10H351 is a quad translator for interfacing data between a saturated logic selection and the PECL section of digital systems when only a +5.0V V<sub>DC</sub> power supply is available. The SY10H351 has TTL/NMOS compatible inputs and PECL complementary open-emitter outputs that allow use as an inverting/non-inverting translator or as a differential line driver. When the common strobe input is at a low logic level, it forces all true outputs to the PECL low logic state (≈ +3.2V) and all inverting outputs to the PECL high logic state (≈ 4.1V).

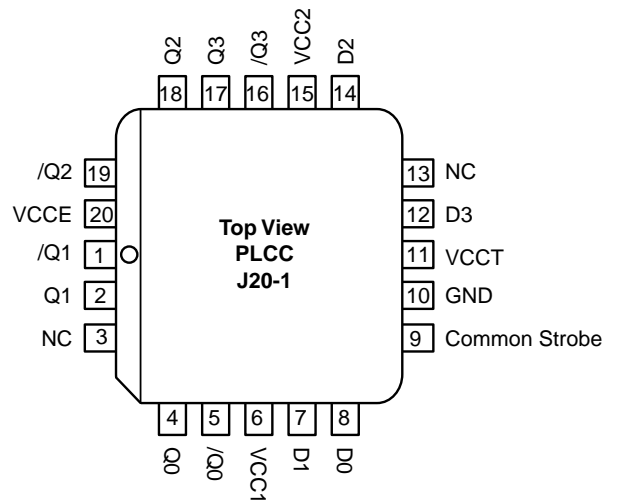
The SY10H351 can also be used with the SY10H350 to transmit and receive TTL/NMOS information differentially via balanced twisted pair lines.

**BLOCK DIAGRAM**



V<sub>CC</sub> (+5 V<sub>DC</sub>) = Pins 6, 11, 15, 20;  
GND = Pin 10

**PIN CONFIGURATION**



**PIN NAMES**

Pin	Function
D0 – D3	Inputs
Q0 – Q3	Outputs
/Q0 – /Q3	Inverted outputs
VCC1	PECL V <sub>CC</sub> (5.0V)
VCCE	PECL V <sub>CC</sub> (5.0V)
VCCT	TTL V <sub>CC</sub> (5.0V)
VCC2	PECL V <sub>CC</sub> (5.0V)
Common Strobe	Common Strobe
GND	Ground

**ABSOLUTE MAXIMUM RATINGS<sup>(1)</sup>**

Symbol	Parameter	Value	Unit
V <sub>CC</sub>	Power Supply Voltage	-0.5 to +7.0	V
I <sub>O</sub>	Output Current -Continuous -Surge	50 100	mA
T <sub>store</sub>	Storage Temperature	-65 to +150	°C
T <sub>A</sub>	Operating Temperature	0 to +85	°C

**NOTE:**

1. Permanent device damage may occur if ABSOLUTE MAXIMUM RATINGS are exceeded. This is a stress rating only and functional operation is not implied at conditions other than those detailed in the operational sections of this data sheet. Exposure to ABSOLUTE MAXIMUM RATING conditions for extended periods may affect device reliability.

**TRUTH TABLE**

CS	D	Q	/Q
H	L	L	H
H	H	H	L
H	Open	H	L
L	X	L	H
Open	L	L	H
Open	H	H	L
Open	Open	H	L

**DC ELECTRICAL CHARACTERISTICS**

VCC1 = VCC2 = VCCE = VCCT = 4.75V to 5.25V

Symbol	Parameter	T <sub>A</sub> = 0°C		T <sub>A</sub> = +25°C			T <sub>A</sub> = +85°C		Unit	Condition
		Min.	Max.	Min.	Typ.	Max.	Min.	Max.		
I <sub>CC</sub>	Power Supply Current ECL <sup>(1)</sup> TTL <sup>(2)</sup>	—	45	—	—	45	—	45	mA	No output loads
		—	15	—	—	15	—	15		
I <sub>R</sub>	Reverse Current (Pins 7, 8, 12, 14)	—	20	—	—	20	—	20	μA	
I <sub>INH</sub>	Reverse Current, (Pin 9)	—	80	—	—	80	—	80	μA	
I <sub>F</sub>	Forward Current (Pins 7, 8, 12, 14)	—	-0.6	—	—	-0.6	—	-0.6	mA	
I <sub>INL</sub>	Forward Current, (Pin 9)	—	-2.4	—	—	-2.4	—	-2.4	mA	
V <sub>BR(in)</sub>	Input Breakdown Voltage	5.5	—	5.5	—	—	5.5	—	V	
V <sub>I</sub>	Input Clamp Voltage	—	-1.5	—	—	-1.5	—	-1.5	V	I <sub>IN</sub> = -18mA
V <sub>OH</sub>	Output HIGH Voltage <sup>(3)</sup>	3.98	4.16	4.02	—	4.19	4.08	4.27	V	
V <sub>OL</sub>	Output LOW Voltage <sup>(3)</sup>	3.05	3.37	3.05	—	3.37	3.05	3.37	V	
V <sub>IH</sub>	Input HIGH Voltage	2.0	—	2.0	—	—	2.0	—	V	
V <sub>IL</sub>	Input LOW Voltage	—	0.8	—	—	0.8	—	0.8	V	

**NOTES:**

1. Total ICC at VCC1, VCC2 and VCCE.
2. ICC at ICCT.
3. These values are for VCC = 5.0V. Level Specifications will vary 1:1 VCC.

**AC ELECTRICAL CHARACTERISTICS**

VCC1 = VCC2 = VCCE = VCCT = 4.75V to 5.25V

Symbol	Parameter	TA = 0°C		TA = +25°C			TA = +85°C		Unit	Condition
		Min.	Max.	Min.	Typ.	Max.	Min.	Max.		
t <sub>PLH</sub> t <sub>PHL</sub>	Propagation Delay <sup>(1)</sup>	0.4	2.2	0.4	—	2.2	0.4	2.1	ns	50Ω to VCC–2V
t <sub>r</sub> t <sub>f</sub>	Output Rise/Fall Time (20% to 80%)	0.4	1.9	0.4	—	2.0	0.4	2.1	ns	50Ω to VCC–2V
f <sub>MAX</sub>	Maximum Input Frequency <sup>(2)</sup>	150	—	150	—	—	150	—	MHz	50Ω to VCC–2V

**NOTES:**

1. Propagation delay is measured on this circuit from +1.5V on the input waveform to the 50% point on the output waveform.
2. These parameters are guaranteed but not tested.

**SWITCHING WAVEFORM**

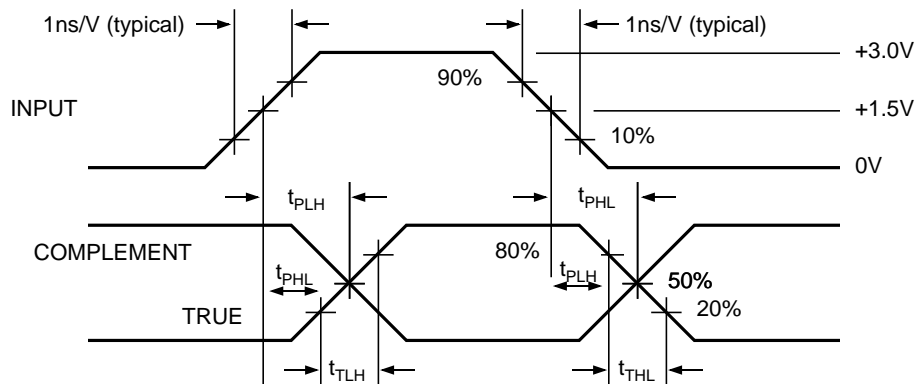
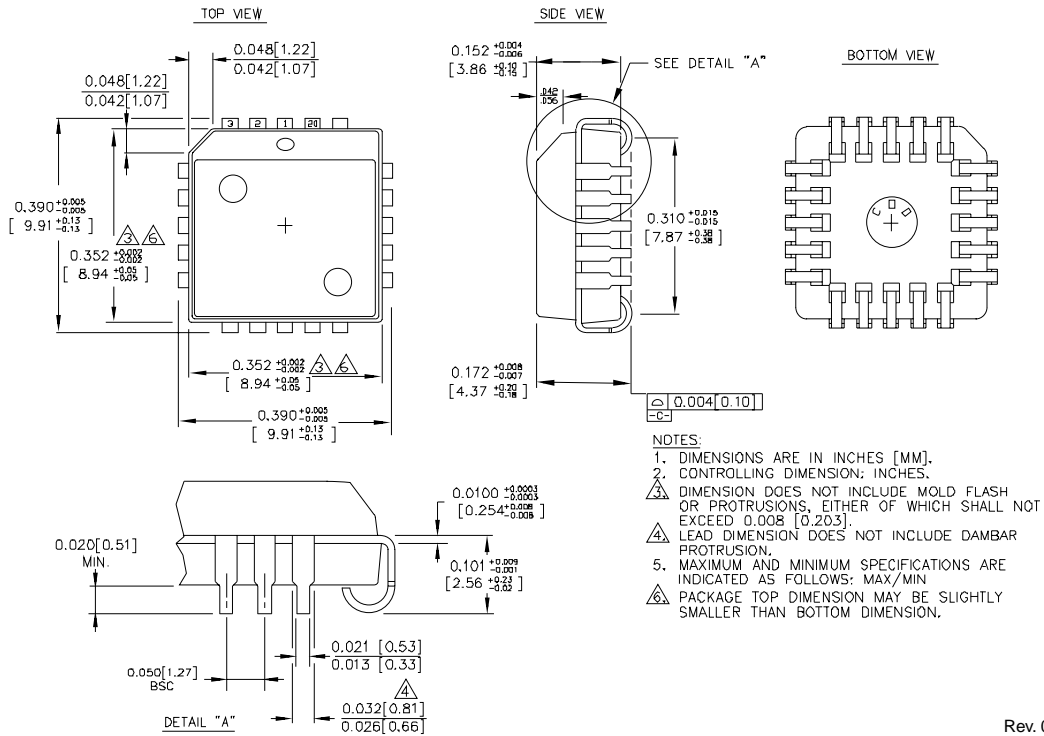


Figure 1. Propagation Delay and Transition Times

**PRODUCT ORDERING CODE**

Ordering Code	Package Type	Operating Range	Vcc Range (V)
SY10H351JC	J20-1	Commercial	+4.75 to +5.25
SY10H351JCTR	J20-1	Commercial	+4.75 to +5.25

**20 LEAD PLASTIC LEADED CHIP CARRIER (J20-1)**



Rev. 00

**MICREL-SYNERGY 3250 SCOTT BOULEVARD SANTA CLARA CA 95054 USA**

TEL + 1 (408) 980-9191 FAX + 1 (408) 914-7878 WEB <http://www.micrel.com>

This information is believed to be accurate and reliable, however no responsibility is assumed by Micrel for its use nor for any infringement of patents or other rights of third parties resulting from its use. No license is granted by implication or otherwise under any patent or patent right of Micrel Inc.

© 2000 Micrel Incorporated