

## Features

- Frequency Range: 1.0 - 350 MHz
- Impedance Ratio: 1:4, Unbalanced to Balanced
- Industry Standard SMT package
- Available in Tape-and-Reel
- Low Cost

## SURFACE MOUNT TRANSFORMER



## Description

The XFM-0401-4W transformer is designed for applications that require small, low cost, and highly reliable surface mount components. Applications may be found in broadband, wireless and other communications systems.

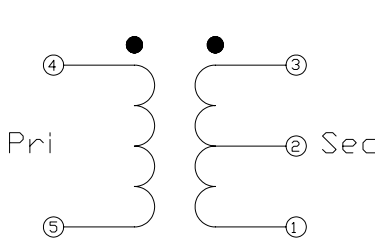
## Specifications

Parameter	Minimum	Maximum
Frequency Range (MHz)	1.0	350
Insertion Loss <1dB	5.0	100
Insertion Loss <2dB	2.0	300
Insertion Loss <3dB	1.0	350
Impedance ratio	1:4	
Type	Unbalanced to Balanced	

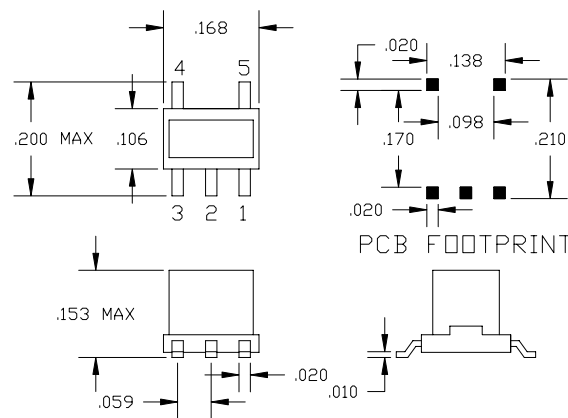
## Absolute Maximum Ratings

Parameter	Maximum
RF Power	+33 dBm
Operating Temperature	-55 to +100 °C
Storage Temperature	-55 to +100 °C
Re-flow Temperature	+ 240 °C

## Schematic



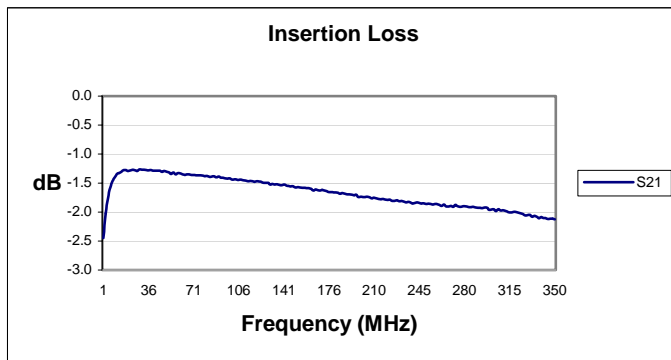
## Package – S03



## Pin Functions

Function	Pin
SECONDARY	1
SECONDARY CT	2
SECONDARY DOT	3
PRIMARY DOT	4
PRIMARY	5

Typical Test Data – Insertion Loss of two units back-to-back @ 25°C. Primary Impedance 50 Ohms.



Specifications and information on this data sheet are subject to change without notice.