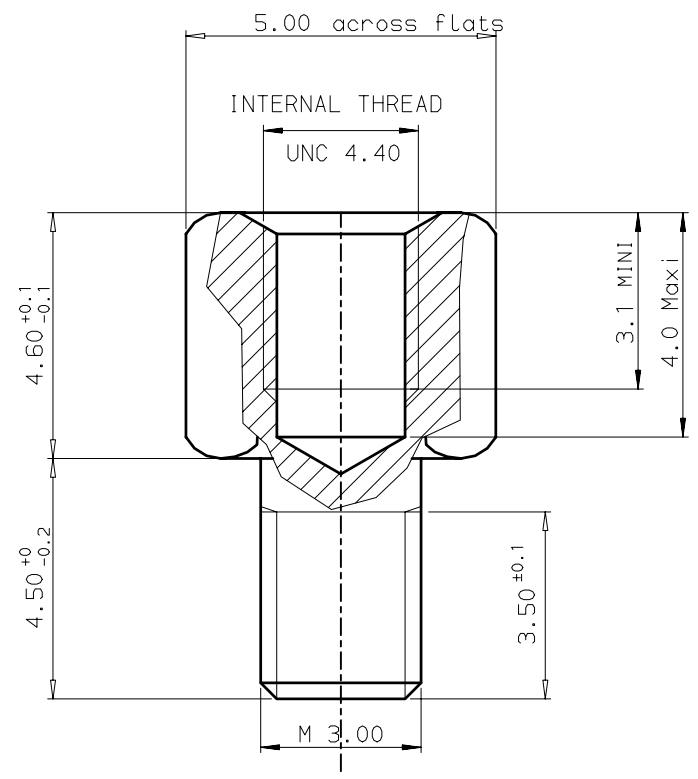


Tous droits strictement réservés. Reproduction ou communication a des tiers interdite sous quelque forme que ce soit sans autorisation écrite du propriétaire. Propriété de c FCI. Droits de reproduction FCI.

FCI

ALL rights strictly reserved. Reproduction or issue to third parties in any form whatever is not permitted without written authority from the proprietor. Property of FCI. Copyright FCI.



TECHNICAL CHARACTERISTICS :

Female screw locks: brass, tin plated .
Packaging : per 100 pieces .
Corrosion resistance : 50 hour exposure to salt spray .

NOTE:RoHS INFORMATIONS
- The "LF" products meet European union Directives and other country regulations as described in 65-22-008.
- Plating Sn (pure bright) over copper
- Packaging spec: see 65-14-920

Part number	86551167T
Part number	86551167TLF

ltr	ecn no	dr	date
B	-	JOU	17/01/96
C	LS05-0026	MPE	08/07/05
-	-	-	-
-	-	-	-
-	-	-	-
-	-	-	-
-	-	-	-

FCI www.fciconnect.com		ISO 1302	tolerance ISO 406 ISO 1101	projection 	mm
Dr	JOUBERT	16/10/95	Product family	D-SUB	size
Eng	PESSON	16/10/95	Spec ref	-	A3
Chr	LEGARE	16/10/95	Material	SEE NOTES	ECN
Appr	LEGARE	16/10/95			LS05-0026
title			FEMALE SCREW LOCKS		Rev.
catalog no			- CUSTOMER COPY		C
dwg no			C01-8655-0684		sheet 1 of 1