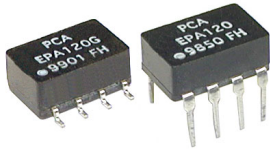


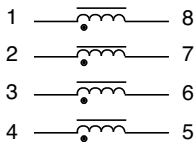
4 Line Common Mode Filter

EPA120 & EPA120G

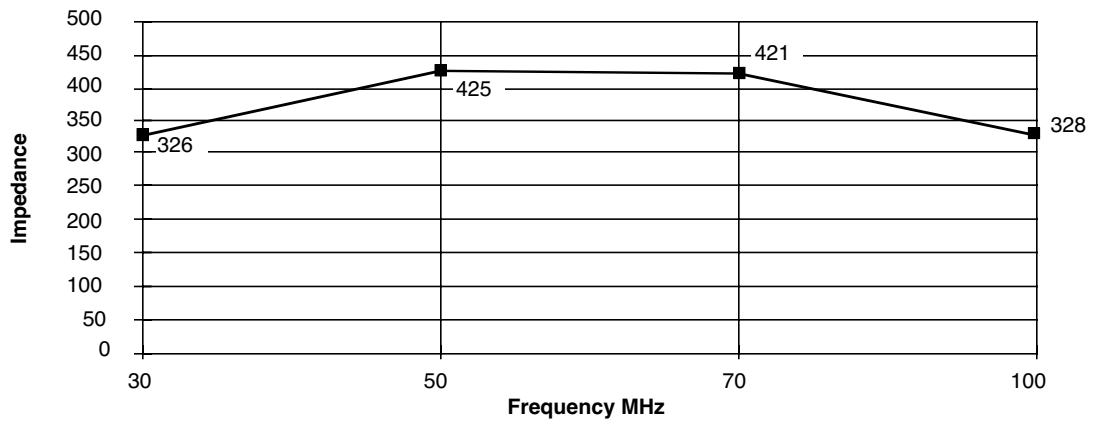


- Impedance limits per chart measured using HP4193A Vector Impedance Meter
- Package transfer-molded epoxy suitable for auto-insertion
- Part is symmetrical : May be inserted either way
- Temperature Rise 45°C Max. @ 25°C Ambient
- Maximum Current : 1 Adc/Winding
- Hipot : 300 Vac

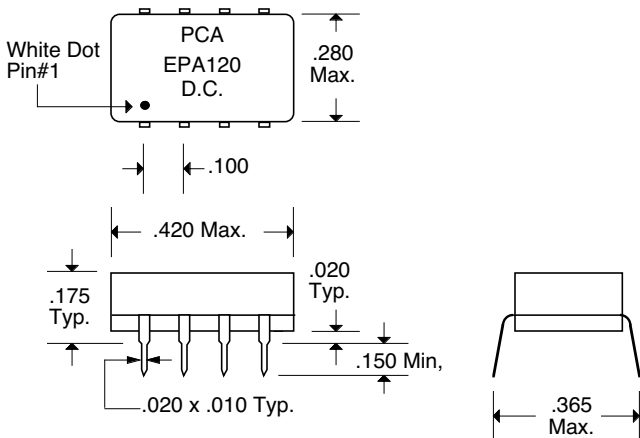
Schematic



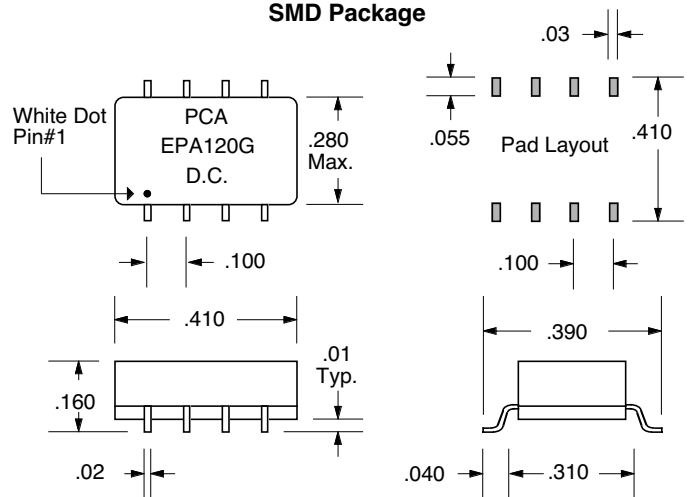
Impedance Lower Limit



DIP Package



SMD Package



Unless Otherwise Specified Dimensions are in Inches /mm ± .010 / .25