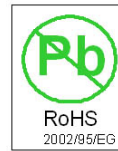


Features

- Low Cost and RoHS Compliant
- Industry Standard 1 Inch Drop-in package
- Designed for Wireless Telecom Systems
- 50 Ohms Characteristic Impedance

Description

The PI1843DG-22H is a small, low cost, High Power Drop-in Isolator designed for applications in high performance linear power amplifiers for wireless base stations. These Isolators feature a robust construction for high reliability with excellent IMD performance. These units are built Lead-Free and RoHS compliant. CCW rotation and special tab offsets available on request. S-Parameters are also available on request.



Specifications

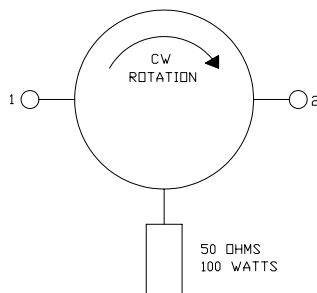
Parameter	Minimum	Typical	Maximum
Frequency Range (MHz)	1805		1880
Insertion Loss (dB)		.18	.25
Isolation (dB)	23	>25	
Return Loss (dB)	23	>25	

Note: Typical values represent Mid-band performance @ 25°C.

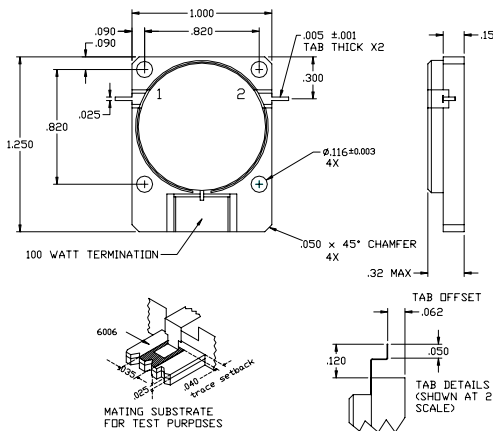
Absolute Maximum Ratings

Parameter	Maximum
Forward Power	100 Watts
Reverse Power	100 Watts
Operating Temperature	-40 to +85 °C
Storage Temperature	-40 to +85 °C

Schematic



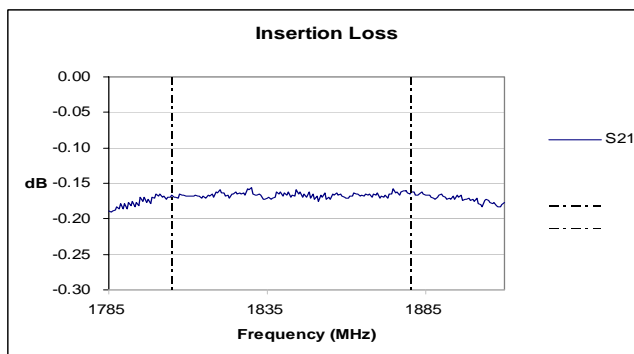
Package



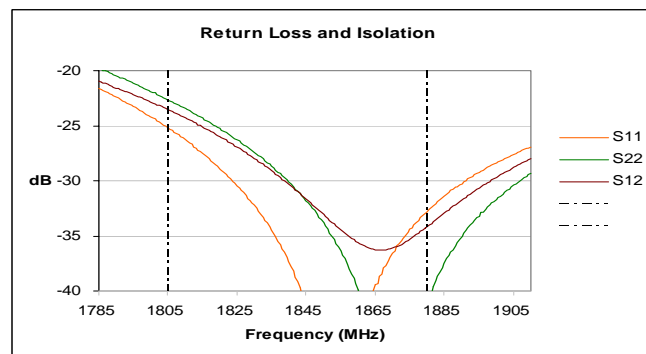
Pin Functions

Function	Pin
INPUT	1
OUTPUT	2

Typical Test Data – Insertion Loss



Typical Test Data – Return Loss and Isolation



Specifications and information on this data sheet are subject to change without notice..