



ELECTRICAL SPECIFICATIONS:

- | | | |
|--|---------|--|
| 1.0 TURNS RATIO (P4-P5-P6) : | (J3-J6) | : 1CT : 1CT± 3% |
| (P3-P2-P1) : | (J1-J2) | : 1CT : 1CT ± 3% |
| 2.0 INDUCTANCE (P6-P4) | | : 350uH MIN. @ 0.1V, 100KHz, 8mA DC Bias |
| (P3-P1) | | : 350uH MIN. @ 0.1V, 100KHz, 8mA DC Bias |
| 3.0 LEAKAGE INDUCTANCE P6-P5-P4 (WITH J6 AND J3 SHORT) | | : 0.3 MAX. @ 1MHz |
| P3-P2-P1 (WITH J2 AND J1 SHORT) | | : 0.3 MAX. @ 1MHz |
| 4.0 INTERWINDING CAPACITANCE (P6,P5,P4) TO (J6,J3) | | : 30pf MAX @ 1MHZ |
| (P3,P2,P1) TO (J2,J1) | | : 30pf MAX. @ 1MHZ |
| 5.0 DC RESISTANCE (J6-J3)=(J2-J1) | | : 1.2 ohms Max. |

NOTES

1.0 PINS WITHOUT ELECTRICAL CONNECTION ARE OMITTED.

	InNet Technologies, Inc. http://www.innet-tech.com	
	 Stewart Connector Systems http://www.stewartconnector.com	
SHEET 1 OF 4	DRAWING NO. SI-70014	REV. 01

6.0 RETURN LOSS: $(P6-P4)=100 \Omega$ MS AND $(P1-P3)=100 \Omega$ M REF.
1MHz TO 30MHz : 18dB MIN.
30MHz TO 80MHz : 12dB MIN.

NOTE: 100 Ω MS CONNECTED TO $(J2-J1)$ OR $(J6-J3)$.

7.0 VOLTAGE WITHSTAND:
 $(J1, J2)$ TO $(P1, P3)$: 1500 VAC
 $(J3, J6)$ TO $(P4, P6)$: 1500 VAC

8.0 INSERTION LOSS: $R_S=R_L=100 \text{ ohms}$
100KHz TO 100MHz 1.1 dB TYP

9.0 RISE TIME: $R_S=100 \Omega$ MS AND $R_L = 100 \Omega$ MS
OUTPUT VOLTAGE = 1 V peak 3.0 nS MAX
PULSE WIDTH= 112nS 3.0 nS MAX

10.0 CROSS TALK:
1-100 MHz 30 dB TYP

11.0 COMMON TO COMMON MODE ATTENUATION:
1MHz TO 100MHz 35dB TYP



InNet Technologies, Inc.
<http://www.innet-tech.com>

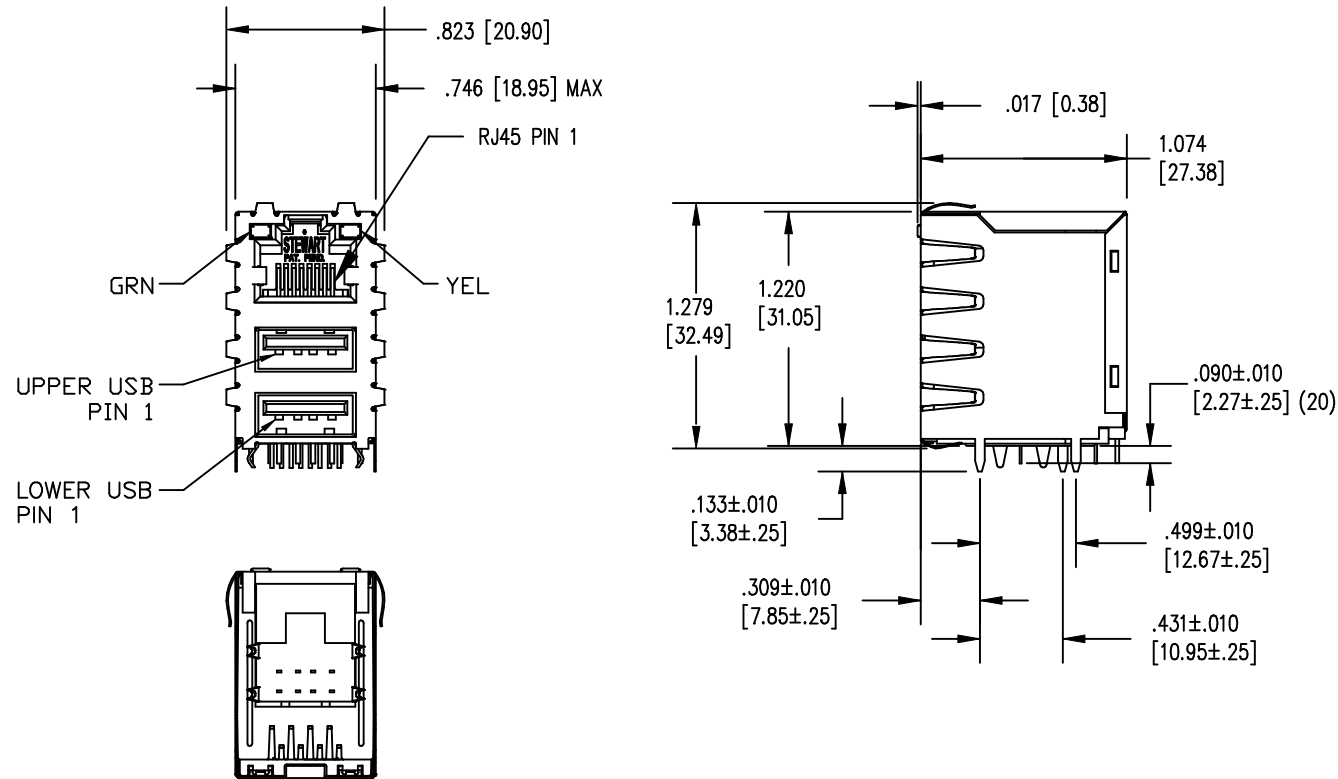


Stewart Connector Systems
<http://www.stewartconnector.com>

SHEET
2 OF 4

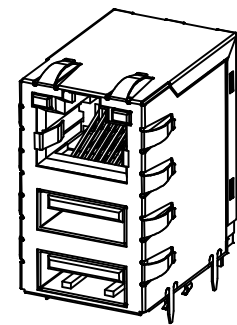
DRAWING NO. SI-70014 REV. 01

RJ45/USB COMBO MAGJACK W/LEDS
WITH PANEL GROUND SHIELD

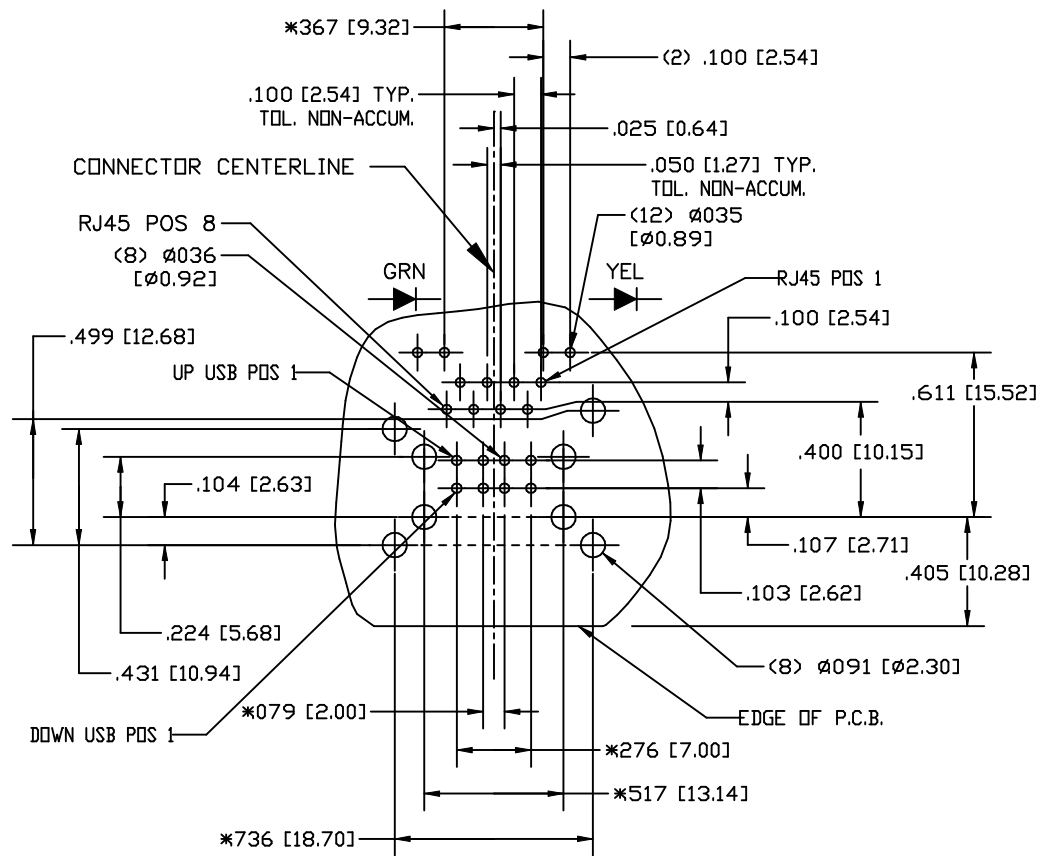


NOTES:

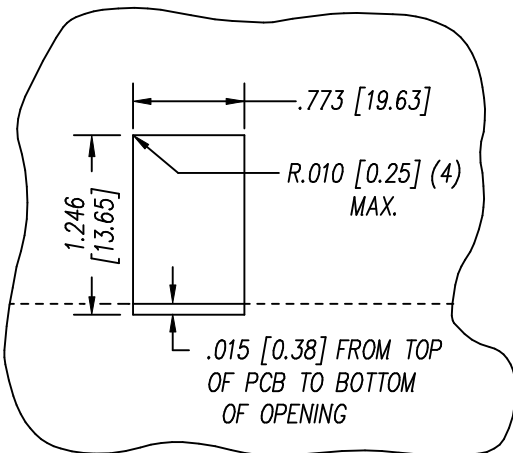
- 1.0 TOLERANCE COMPLY WITH FCC DIMENSION REQUIREMENTS.
- 2.0 PIN NOT ELECTRICALLY CONNECTED MAY BE OMITTED. SEE ELECTRICAL DRAWING FOR OMITTED PINS.
- 3.0 MATERIAL:
 PLASTIC: UL94V-ø
 TERMINAL USB: Au AT 30 MICROINCHES
 TERMINAL RJ45: 50 MICROINCHES Au OVER 50 MICROINCHES Ni OVER PHOSBRONZE SHIELD, BOTH USB AND RJ45: BRASS PLATED W/EITHER Ni OR TIN-LEAD
- 4.0 GENERAL TOLERANCE: $\pm .005$ [.127]



InNet	InNet Technologies, Inc. http://www.innet-tech.com	
	Stewart Connector http://www.stewartconnector.com	
SHEET 3 OF 4	DRAWING NO.	SI-70014 REV. X



P.C.B. RECOMMENDED HOLE LAYOUT
 SEEN FROM COMPONENT SIDE
 TOLERANCE ±.003 [0.08] UNLESS OTHERWISE SPECIFIED



SUGGESTED PANEL OPENING (N.T.S.)

InNet		InNet Technologies, Inc. http://www.innet-tech.com	
Stewart Connector		Stewart Connector Systems http://www.stewartconnector.com	
SHEET 4 OF 4	DRAWING NO.	SI-70014	REV. X