



NOTES



1.0 PINS WITHOUT ELECTRICAL CONNECTION ARE OMITTED.

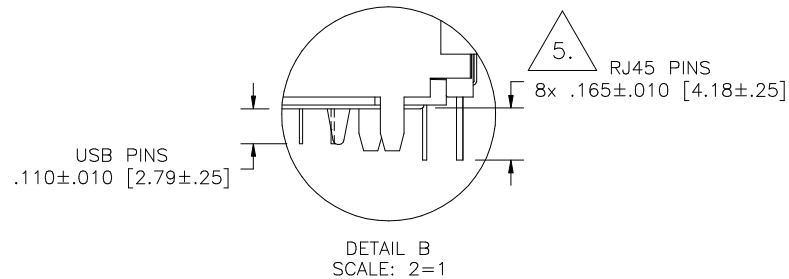
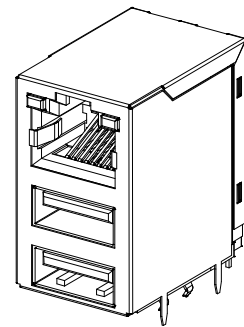
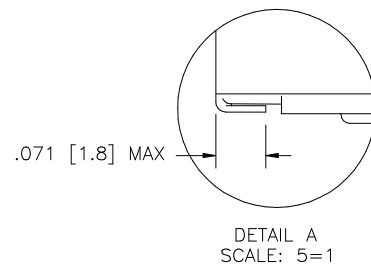
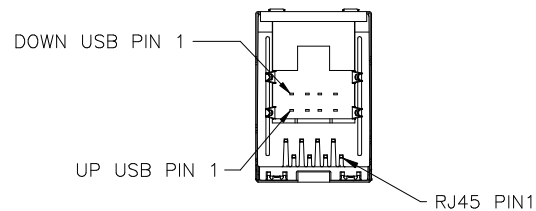
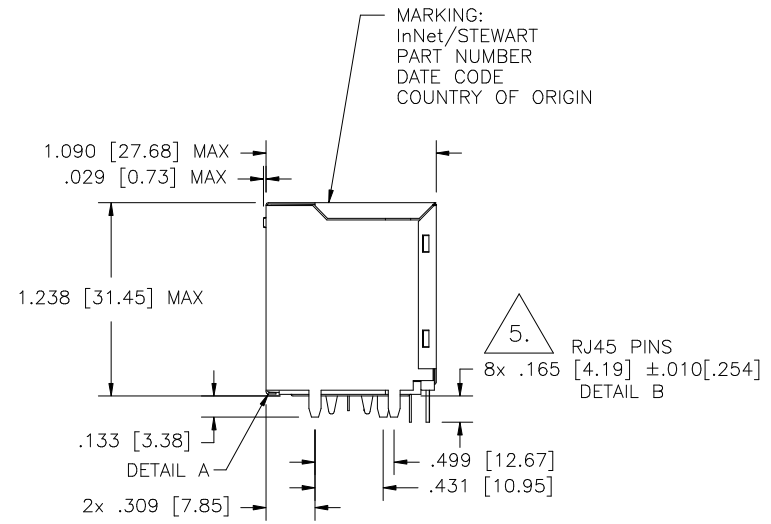
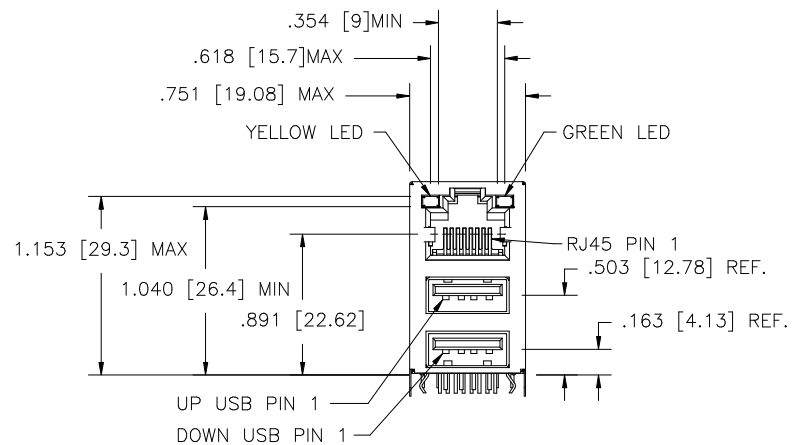
ELECTRICAL SPECIFICATIONS:

- 1.0 TURNS RATIO: (P7-P6-P8) : (J3-J6) : 1CT : 1CT ±3%  
(P1-P3-P2) : (J1-J2) : 1CT : 1CT ±3%
- 2.0 INDUCTANCE: (P7-P8) : 350uH MIN. @ 0.1V, 100KHz, 8mA DC Bias  
(P1-P2) : 350uH MIN. @ 0.1V, 100KHz, 8mA DC Bias
- 3.0 LEAKAGE INDUCTANCE: P8-P6-P7 (WITH J6 AND J3 SHORT) : 0.3uH MAX. @ 1MHz  
P2-P3-P1 (WITH J2 AND J1 SHORT) : 0.3uH MAX. @ 1MHz
- 4.0 INTERWINDING CAPACITANCE: (P8,P6,P7) TO (J6,J3) : 30pf MAX @ 1MHz  
(P2,P3,P1) TO (J2,J1) : 30pf MAX @ 1MHz
- 5.0 DC RESISTANCE: (J6-J3)=(J2-J1) : 1.2 ohms Max.

	<b>InNet Technologies, Inc.</b> <a href="http://www.innet-tech.com">http://www.innet-tech.com</a>	
	 <b>Stewart Connector Systems</b> <a href="http://www.stewartconnector.com">http://www.stewartconnector.com</a>	
SHEET 1 OF 4	DRAWING NO. SI-70034	REV. 02



- 6.0 RETURN LOSS: (P7-P8)=100 OHMS AND (P1-P2)=100 OHM REF.  
     1MHz TO 30MHz : 18dB MIN.  
     30MHz TO 80MHz : 12dB MIN.
- NOTE: 100 OHMS CONNECTED TO (J2-J1) OR (J6-J3).
- 7.0 DIELECTRIC WITHSTAND: (J1, J2) TO (P1, P2) : 1500 VAC  
     (J3, J6) TO (P7,P8) : 1500 VAC
- 8.0 INSERTION LOSS: RS=RL=100 ohms  
     100KHz TO 100MHz : 1.1 dB TYP
- 9.0 RISE TIME: RS=100 OHMS AND RL = 100 OHMS  
     OUTPUT VOLTAGE = 1 V peak : 3.0 nS MAX  
     PULSE WIDTH= 112nS : 3.0 nS MAX
- 10.0 CROSS TALK: 1-100 MHz : 30 dB TYP
- 11.0 COMMON TO COMMON MODE ATTENUATION: 1MHz TO 100MHz : 35dB TYP

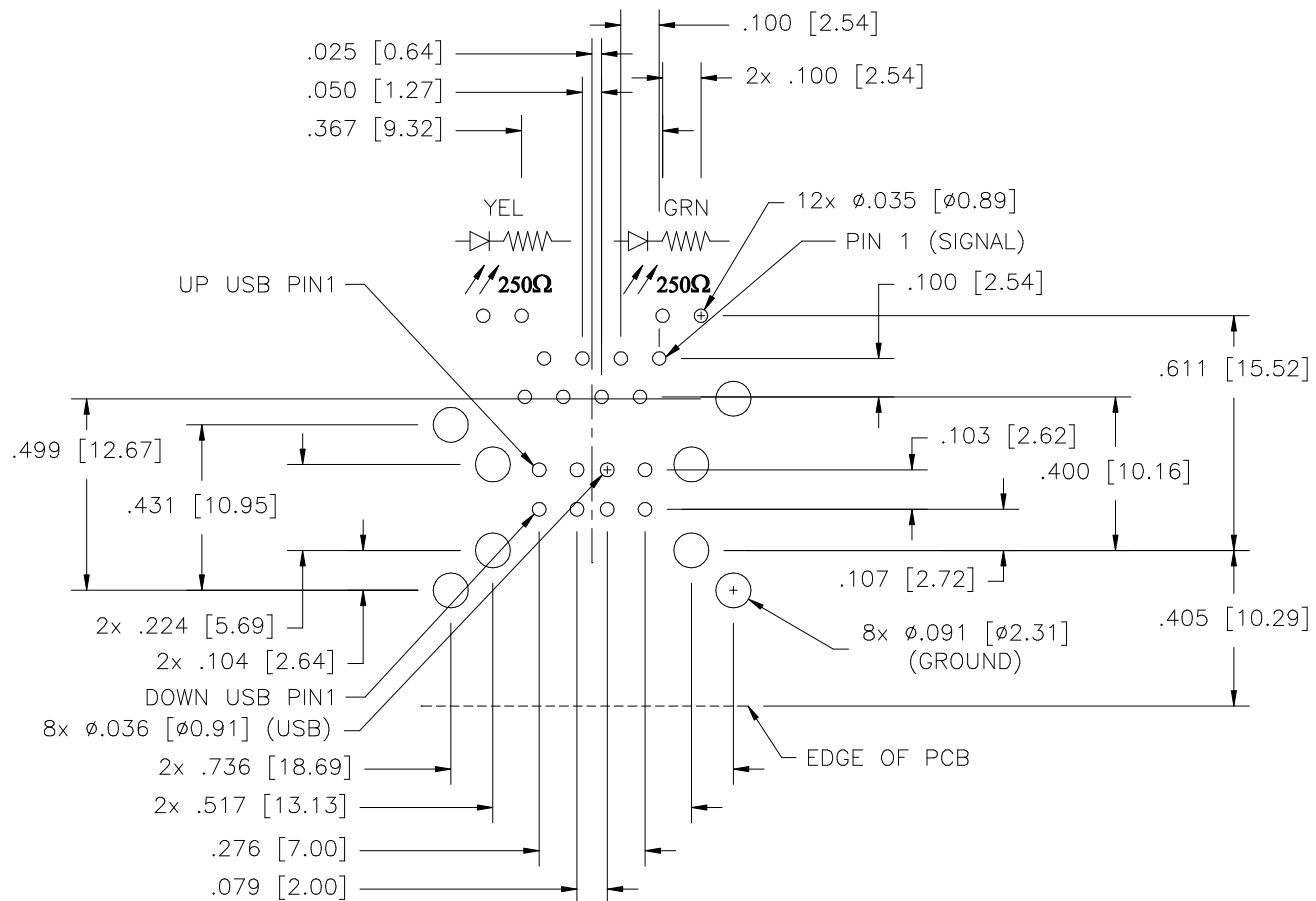
 InNet Technologies, Inc. <a href="http://www.innet-tech.com">http://www.innet-tech.com</a>	
 Stewart Connector Systems <a href="http://www.stewartconnector.com">http://www.stewartconnector.com</a>	
SHEET 2 OF 4	DRAWING NO. SI-70034 REV. 02



NOTES:

- 1.0 TOLERANCE COMPLY WITH FCC DIMENSION REQUIREMENTS.
- 2.0 PIN NOT ELECTRICALLY CONNECTED MAY BE OMITTED. SEE ELECTRICAL DRAWING FOR OMITTED PINS.
- 3.0 MATERIAL:
  - PLASTIC: UL94V-ø
  - TERMINAL USB: PLATING PER USB SPEC 2.0
  - TERMINAL RJ45: 50 MICROINCHES Au OVER 50 MICROINCHES Ni OVER PHOSBRONZE SHIELD, BOTH USB AND RJ45:
- 4.0 GENERAL TOLERANCE: ±.005 [ .127 ] BRASS PLATED W/EITHER Ni OR TIN-LEAD
- 5.0 DIMENSION APPLIES TO LED AND SIGNAL PINS, USB PINS: .110 ±.010.

	<b>InNet Technologies, Inc.</b> <a href="http://www.innet-tech.com">http://www.innet-tech.com</a>	
	 <b>Stewart Connector Systems</b> <a href="http://www.stewartconnector.com">http://www.stewartconnector.com</a>	
SHEET 3 OF 4	DRAWING NO. SI-70034	REV. 02



PC BOARD LAYOUT COMPONENT SIDE SHOWN  
 TOLERANCE:  $\pm$ .003 [.08] UNLESS OTHERWISE SPECIFIED



InNet Technologies, Inc.  
<http://www.innet-tech.com>



Stewart Connector Systems  
<http://www.stewartconnector.com>

SHEET  
 4 OF 4

DRAWING NO. SI-70034 REV. 02