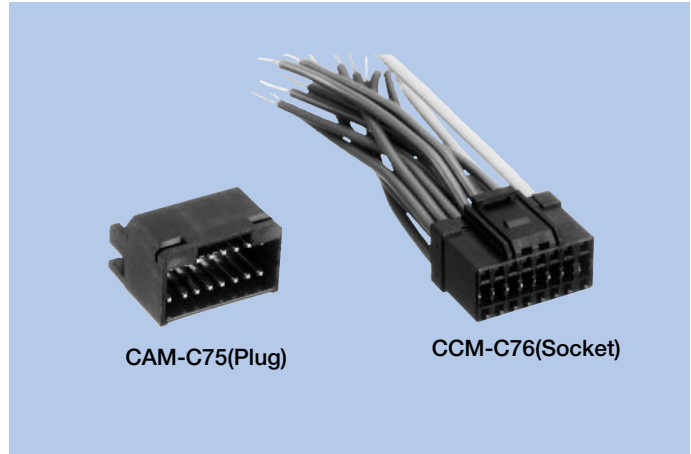


Power Supply Voltage & Signal

CAM-C75, CCM-C76

FEATURES

1. 16 pin power connector of an angle type on the plug side.
2. One-touch locking mechanism ensures a secure fitting.
3. The socket connector on the cable assembly side is of double lance structure to enhance the withdrawal strength from the housing.
4. The 4 pins is for power supply and 12 pins is 16 pins type for signal.



CAM-C75(Plug)

CCM-C76(Socket)

HOW TO ORDER

1.CAM-C75 (Plug)

C75-016-02 0-I J B A A
 1 2 3 4 5 6 7 8 9

- 1 Series No. (C75)
- 2 No. of contacts (016 : 16pins)
- 3 Housing material (02 : PBT resin)
- 4 Housing UL grade (0 : UL94V-0)
- 5 Contact plating (I : Tin reflow plating)
- 6 Contact plating thickness (J : 3.0μm)
- 7 Contact tail style (B : Angle)
- 8 Accessory for connector outside (A : none)
- 9 Accessory for connector inside (A : none)

2.CCM-C76 (Socket)

C76-016-
 1 2 3

- 1 Series No. (C76)
- 2 No. of contacts (016 : 16pins)
- 3 Running No. assigned by us

SPECIFICATIONS

ELECTRICAL CHARACTERISTICS

Rated Voltage	14V DC
Rated Current	Signal terminal : 5A (Power supply terminal : 7A)
Withstanding Voltage	500V AC (rms) 1minute
Insulation Resistance	100MΩ min. (at 500V DC)
Contact Resistance	15mΩ max.

MECHANICAL CHARACTERISTICS

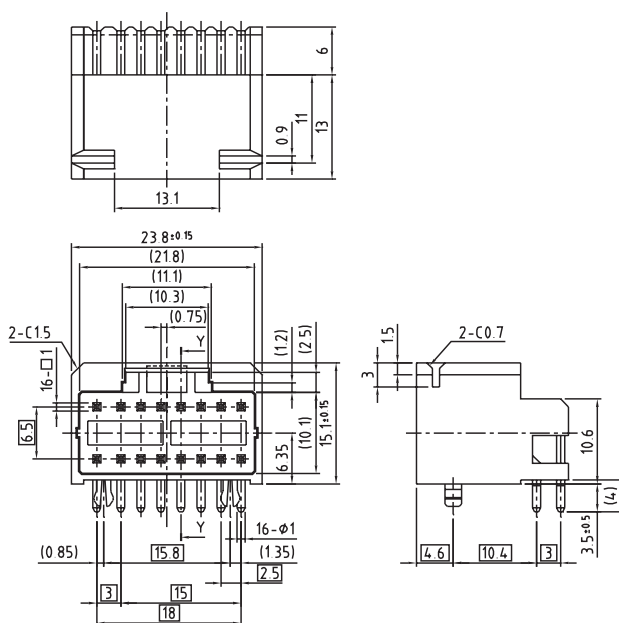
Life (Matching Cycle)	200 times
Total Insertion Force	78.4N (8kgf) max.
Total Withdrawal Force	9.8N (1kgf) min.
Using Temperature Range	-30~+85°C

MATERIAL & FINISH

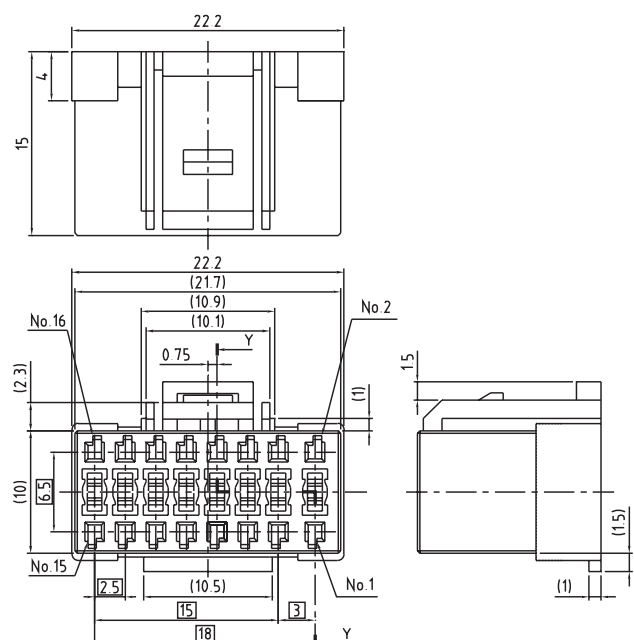
Component Parts		Material	Finish
CAM-C75 (Plug)	Housing	Glass filled PBT resin	—
	Contact	Brass	Tin reflow plating
CCM-C76 (Socket)	Housing	46 Nylon	—
	Contact for Power Supply	Copper Alloy	Tin reflow plating
	Contact for Signal	Copper Alloy	Tin reflow plating

DIMENSIONS

CAM-C75



CCM-C76



Unit : mm