

Scale 3:1

Specifications

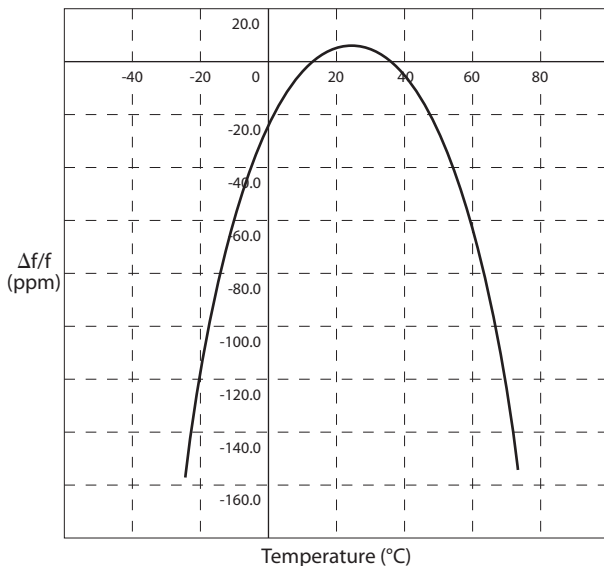
Parameters	Product	Option Codes
	GXO-4301	
Frequency:	32.768kHz	■
Calibration tolerance:	±10ppm ±20ppm Other	<input type="checkbox"/> ■ <input type="checkbox"/>
Frequency stability:	+10 ~ -120ppm (-20 to +70°C)	■
Operating temperature range:	-40 to +85°C	■
Storage temperature range:	-55 to +125°C	■
Supply voltage (V _{DD}):	1.3 ~ 5.5V	■
Supply current:	1.5µA max (V _{DD} = 3.3V, no load)	■
Driving ability:	15pF CMOS	■
Output voltage:	'0' level (I _{VOL}) = 0.4V max '1' level (I _{VOH}) = V _{DD} - 0.4V min	■ ■
Start up time:	1s max (V _{DD} =3.3V) 3s max (V _{DD} =1.3~5.5V)	■ ■
Rise / fall times:	200ns max (10%~90%V _{DD})	■
Waveform symmetry:	40:60 @ 50%V _{DD}	■
Enable / disable function:	Tristate (control via pad 1)	■
Stand-by current:	250nA max	■

■ Standard. □ Optional - Please specify required code(s) when ordering

Features

- ▶ 32.768kHz Oscillator
- ▶ Extremely low power consumption
- ▶ Enable / disable tristate function
- ▶ Competitive pricing

Temperature Characteristics



Ordering Information

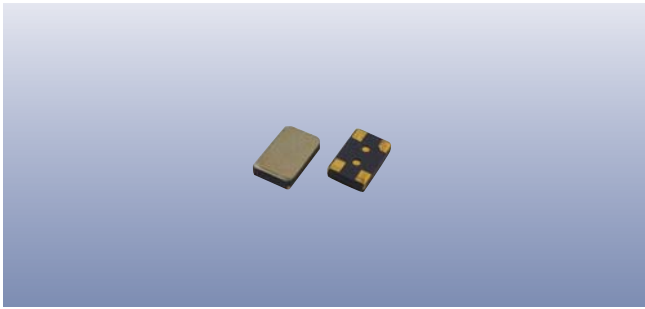
Product name + option code + frequency
 eg: **GXO-4301/B 32.768kHz** ±20ppm (standard)
GXO-4301/A 32.768kHz ±10ppm

- ♦ Will operate on any supply voltage from +1.3V to +5.5V. Specifications shown are for 3.3V.

Enable / Disable Function

Input (pad 1)	Output (pad 3)
'1' level	Enabled
'0' level	High Impedance

Note: Pad 1 should not be allowed to float.



Construction

- ▣▣▣▣ **Ceramic body with gold-plated pads**
- ▣▣▣▣ **Metal lid, seam sealed**

Composition



This product is lead-free, and is fully compliant with the RoHS directive 2002/95/EC



Packaging & Handling

Production quantities supplied on T & R, 1k or 3k pcs per reel. Small quantities may be supplied on tape (no reel), or in bulk.



◆ Static sensitive product. Observe proper handling precautions

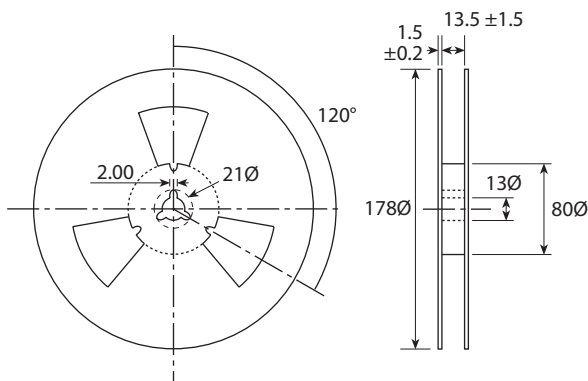
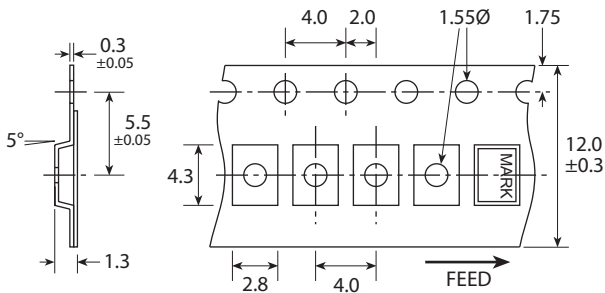
Marking

DC	FREQUENCY
----	-----------

Marking type: Laser
DC = Date code in YM, eg "CE" = May 2003

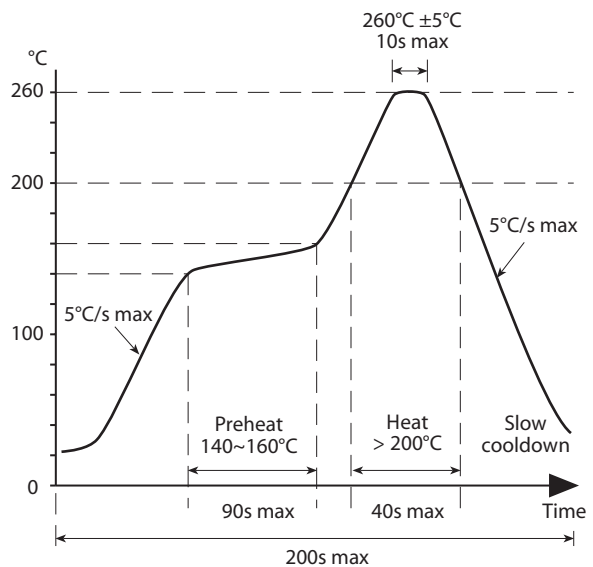
	A	B	C	D	E	F	G	H	J	K	L	M
Y	1	2	3	4	5	6	7	8	9	0		
M	Jan	Feb	Mar	Apr	May	Jun	Jul	Aug	Sep	Oct	Nov	Dec

Tape & Reel Specification



Not to scale. Dimensions in mm. Tolerances ±0.1mm unless otherwise stated

Soldering Profile



Solder resistance: 260°C x 10 secs x 2.