



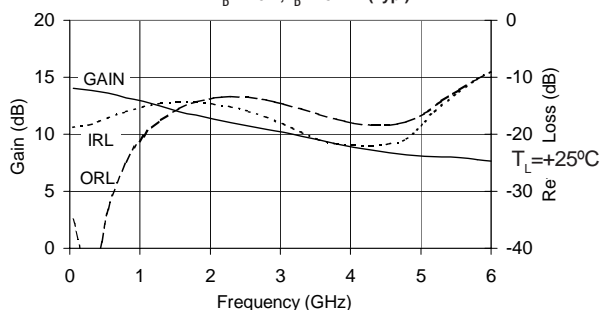
## Product Description

The SGA-6286 is a high performance SiGe HBT MMIC Amplifier. A Darlington configuration featuring 1 micron emitters provides high  $F_T$  and excellent thermal performance. The heterojunction increases breakdown voltage and minimizes leakage current between junctions. Cancellation of emitter junction non-linearities results in higher suppression of intermodulation products. Only 2 DC-blocking capacitors, a bias resistor and an optional RF choke are required for operation.

The matte tin finish on Sirenza's lead-free package utilizes a post annealing process to mitigate tin whisker formation and is RoHS compliant per EU Directive 2002/95. This package is also manufactured with green molding compounds that contain no anti-mony trioxide nor halogenated fire retardants.

Gain & Return Loss vs. Frequency

$V_D = 4.0$  V,  $I_D = 75$  mA (Typ.)



## SGA-6286

**SGA-6286Z** RoHS Compliant & Green Package

**DC-5500 MHz, Cascadable  
SiGe HBT MMIC Amplifier**



## Product Features

- Now available in Lead Free, RoHS Compliant, & Green Packaging
- Broadband Operation: DC-5500 MHz
- Cascadable 50 Ohm
- Operates From Single Supply
- Low Thermal Resistance Package

## Applications

- PA Driver Amplifier
- Cellular, PCS, GSM, UMTS
- IF Amplifier
- Wireless Data, Satellite

Symbol	Parameter	Units	Frequency	Min.	Typ.	Max.
G	Small Signal Gain	dB	850 MHz 1950 MHz 2400 MHz	12.5	13.6 12.4 11.2	15.2
$P_{1dB}$	Output Power at 1dB Compression	dBm	850 MHz 1950 MHz		18.7 17.8	
$OIP_3$	Output Third Order Intercept Point	dBm	850 MHz 1950 MHz		35.0 33.0	
Bandwidth	Determined by Return Loss (>10dB)	MHz			5500	
IRL	Input Return Loss	dB	1950 MHz		14.6	
ORL	Output Return Loss	dB	1950 MHz		13.9	
NF	Noise Figure	dB	1950 MHz		4.2	
$V_D$	Device Operating Voltage	V		3.6	4.0	4.4
$I_D$	Device Operating Current	mA		67	75	83
$R_{TH}$ , j-l	Thermal Resistance (junction to lead)	°C/W			97	

### Test Conditions:

$V_S = 8$  V

$R_{BIAS} = 51$  Ohms

$I_D = 75$  mA Typ.

$T_L = 25^\circ\text{C}$

$OIP_3$  Tone Spacing = 1 MHz,  $P_{out}$  per tone = 0 dBm

$Z_S = Z_L = 50$  Ohms

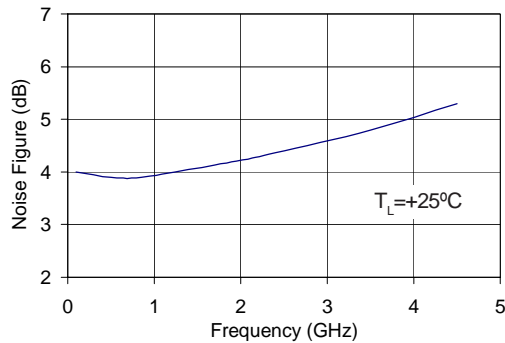
The information provided herein is believed to be reliable at press time. Sirenza Microdevices assumes no responsibility for inaccuracies or omissions. Sirenza Microdevices assumes no responsibility for the use of this information, and all such information shall be entirely at the user's own risk. Prices and specifications are subject to change without notice. No patent rights or licenses to any of the circuits described herein are implied or granted to any third party. Sirenza Microdevices does not authorize or warrant any Sirenza Microdevices product for use in life-support devices and/or systems. Copyright 2001 Sirenza Microdevices, Inc.. All worldwide rights reserved.

**Typical RF Performance at Key Operating Frequencies**

Symbol	Parameter	Unit	Frequency (MHz)					
			100	500	850	1950	2400	3500
G	Small Signal Gain	dB	14.0	13.9	13.6	12.4	11.2	9.6
OIP <sub>3</sub>	Output Third Order Intercept Point	dBm	37.0	36.0	35.0	33.0	31.4	28.1
P <sub>1dB</sub>	Output Power at 1dB Compression	dBm	18.7	19.0	18.7	17.8	16.8	15.2
IRL	Input Return Loss	dB	18.8	17.4	15.8	14.6	15.5	20.6
ORL	Output Return Loss	dB	35.7	36.3	23.8	13.9	13.4	16.4
S <sub>12</sub>	Reverse Isolation	dB	18.4	18.6	18.8	18.8	18.5	17.0
NF	Noise Figure	dB	4.0	3.9	3.9	4.2	4.4	4.8

**Test Conditions:** V<sub>S</sub> = 8 V, I<sub>D</sub> = 75 mA Typ., OIP<sub>3</sub> Tone Spacing = 1 MHz, P<sub>out</sub> per tone = 0 dBm  
R<sub>BIAS</sub> = 51 Ohms, T<sub>L</sub> = 25°C, Z<sub>S</sub> = Z<sub>L</sub> = 50 Ohms

**Noise Figure vs. Frequency**  
V<sub>D</sub> = 4.0 V, I<sub>D</sub> = 75 mA



**Absolute Maximum Ratings**

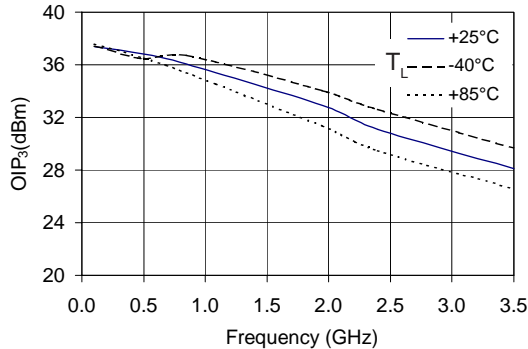
Parameter	Absolute Limit
Max. Device Current (I <sub>b</sub> )	150 mA
Max. Device Voltage (V <sub>D</sub> )	6 V
Max. RF Input Power	+18 dBm
Max. Junction Temp. (T <sub>J</sub> )	+150°C
Operating Temp. Range (T <sub>L</sub> )	-40°C to +85°C
Max. Storage Temp.	+150°C

Operation of this device beyond any one of these limits may cause permanent damage. For reliable continuous operation, the device voltage and current must not exceed the maximum operating values specified in the table on page one.

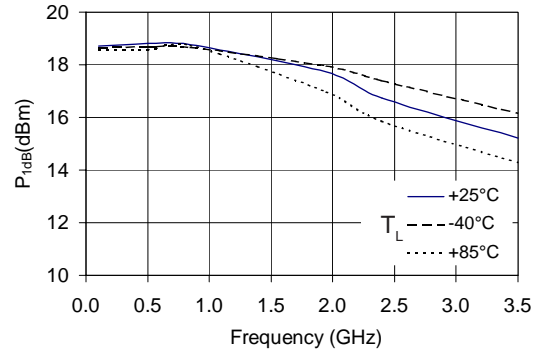
Bias Conditions should also satisfy the following expression:  
 $I_b V_D < (T_J - T_L) / R_{TH}, j!$

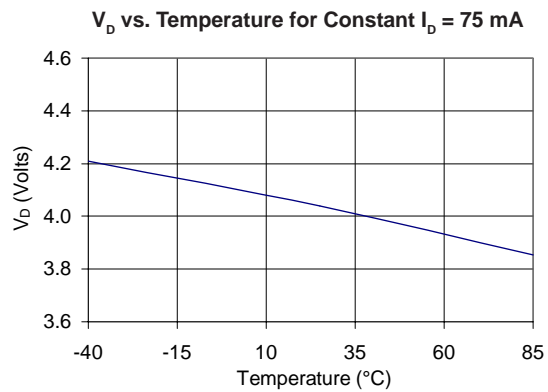
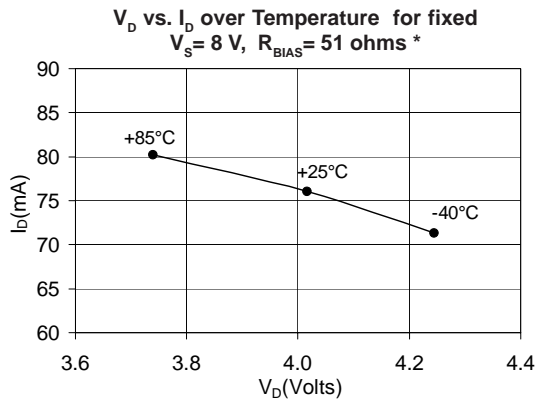
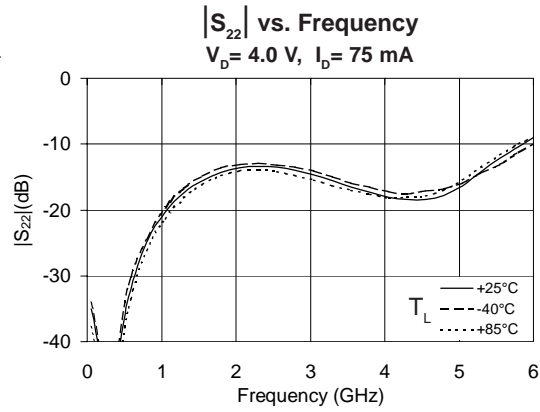
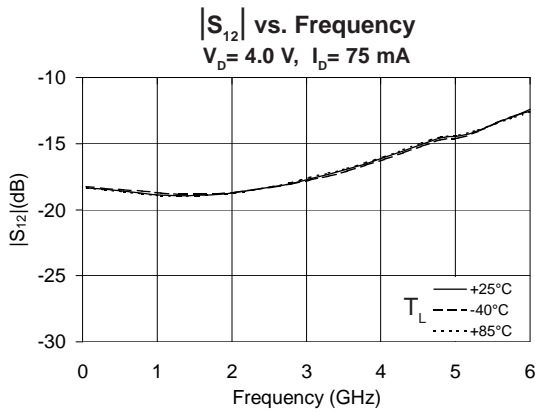
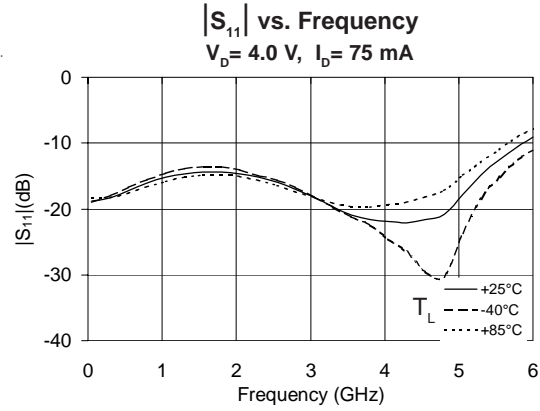
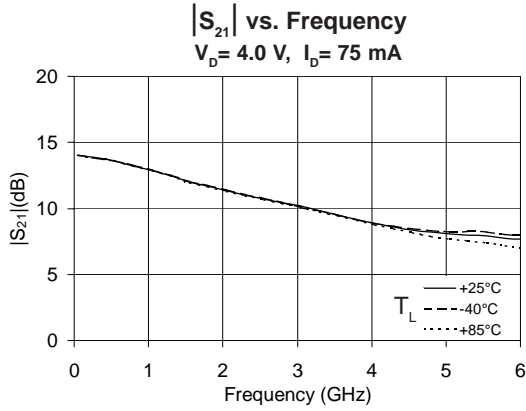
Take into account out of band VSWR presented by devices such as SAW filters to determine maximum RF input power. Reflected harmonic levels in saturation are significant.

**OIP<sub>3</sub> vs. Frequency**  
V<sub>D</sub> = 4.0 V, I<sub>D</sub> = 75 mA



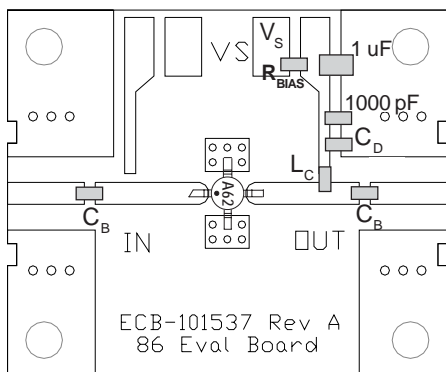
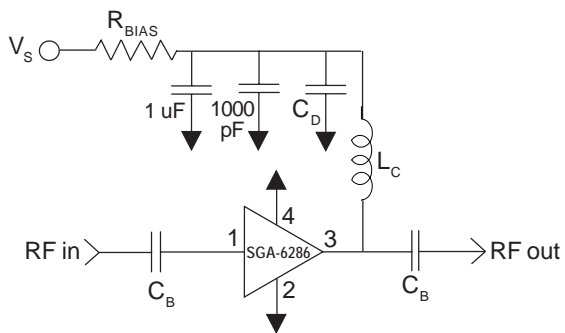
**P<sub>1dB</sub> vs. Frequency**  
V<sub>D</sub> = 4.0 V, I<sub>D</sub> = 75 mA



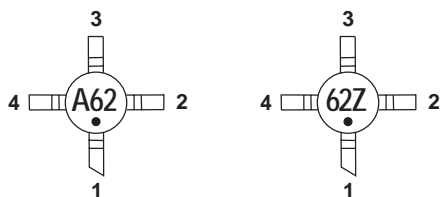


\* Note: In the applications circuit on page 4,  $R_{BIAS}$  compensates for voltage and current variation over temperature.

**Basic Application Circuit**



**Part Identification Marking**



**Caution: ESD sensitive**  
Appropriate precautions in handling, packaging and testing devices must be observed.

**See Application Note AN-075  
for Package Outline Drawing**

**Application Circuit Element Values**

Reference Designator	Frequency (Mhz)				
	500	850	1950	2400	3500
C <sub>B</sub>	220 pF	100 pF	68 pF	56 pF	39 pF
C <sub>D</sub>	100 pF	68 pF	22 pF	22 pF	15 pF
L <sub>C</sub>	68 nH	33 nH	22 nH	18 nH	15 nH

**Recommended Bias Resistor Values for I<sub>D</sub>=75mA**

$$R_{BIAS} = (V_S - V_D) / I_D$$

Supply Voltage (V <sub>S</sub> )	6 V	8 V	10 V	12 V
R <sub>BIAS</sub>	27 Ω	51 Ω	82 Ω	110 Ω

Note: R<sub>BIAS</sub> provides DC bias stability over temperature.

**Mounting Instructions**

1. Use a large ground pad area under device pins 2 and 4 with many plated through-holes as shown.
2. We recommend 1 or 2 ounce copper. Measurements for this data sheet were made on a 31 mil thick FR-4 board with 1 ounce copper on both sides.

Pin #	Function	Description
1	RF IN	RF input pin. This pin requires the use of an external DC blocking capacitor chosen for the frequency of operation.
2, 4	GND	Connection to ground. For optimum RF performance, use via holes as close to ground leads as possible to reduce lead inductance.
3	RF OUT/BIAS	RF output and bias pin. DC voltage is present on this pin, therefore a DC blocking capacitor is necessary for proper operation.

**Part Number Ordering Information**

Part Number	Reel Size	Devices/Reel
<b>SGA-6286</b>	<b>13"</b>	<b>3000</b>
<b>SGA-6286Z</b>	<b>13"</b>	<b>3000</b>