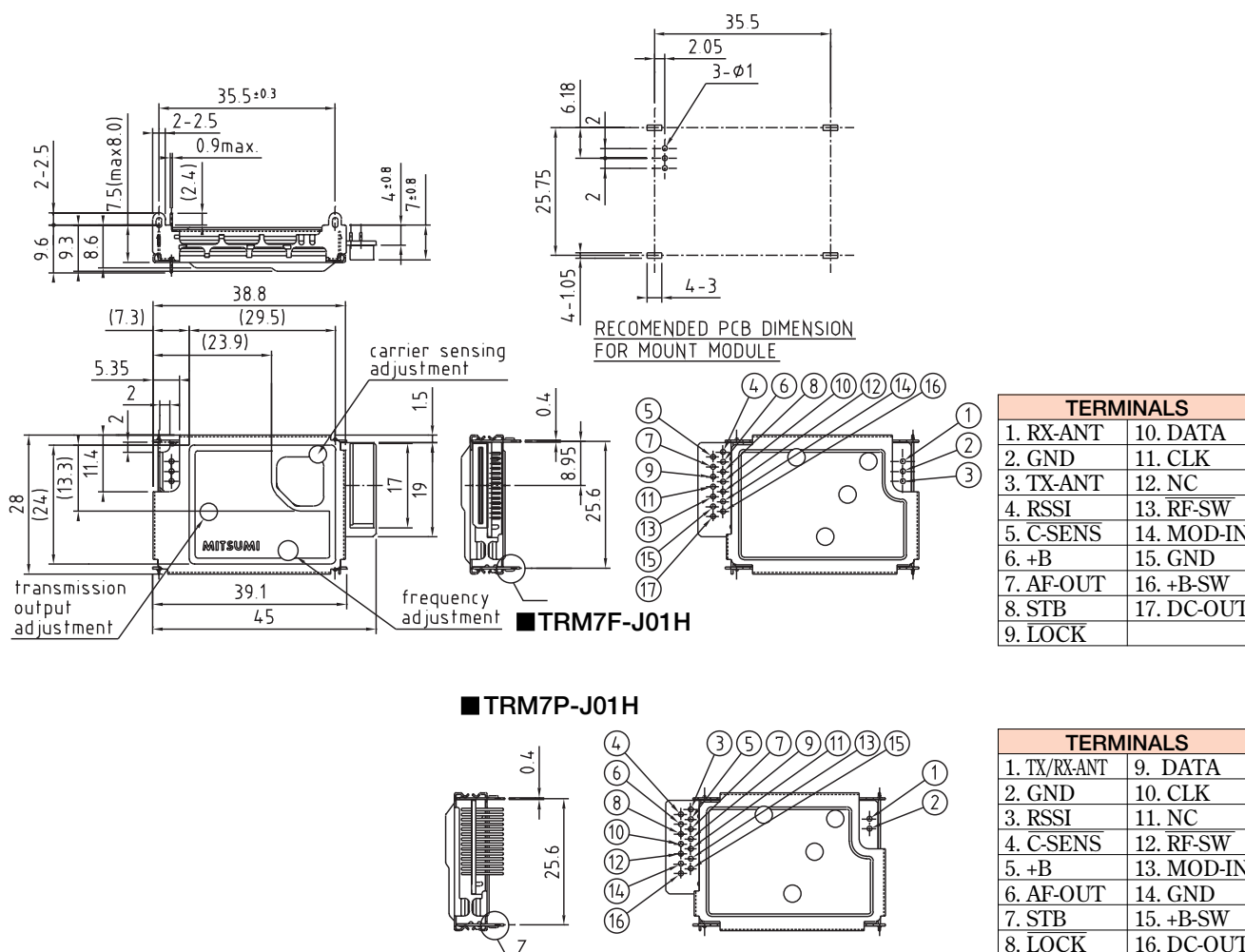


SPECIFICATIONS

Item	Specifications	Unit
	HAND	
Standard Voltage	2.4	V
Current Consumption	Communication52/Stand-by21	mA
Weight	13	g
RECEIVER		
Reference Sensitivity	-4	dB μ V
Signal to Noise Ratio	50	dB
Total Harmonic Distortion	1	%
Spurious Response	60	dB
Spurious Emissions	-65	dBm
Adjacent Channel Selectivity	60	dB
Audio Output Level	140	mVrms
TRANSMITTER		
Carrier Power	8	mW
Frequency Error	± 3.8 (max.)	ppm
Spurious Emissions	-50	dBm
Total Harmonic Distortion	0.4	%
Signal to Noise Ratio	45	dB
*Audio FM Deviation	1.5	kHz

*Audio Input Level : 100mVrms.

DIMENSIONS



Unit : mm

*For the technical details of the products in this page, please refer to Marketing & Engineering Div., AVC Business Div., Network Devices Business HQ. Phone: 046 (230) 3480.