

### Description

- Small type CERASIZER® of unique structure for 2/3-element AM IF filters.
- Center frequency range: 450 to 470kHz
- Bandwidth at 6dB: 4 to 8kHz.

### Features

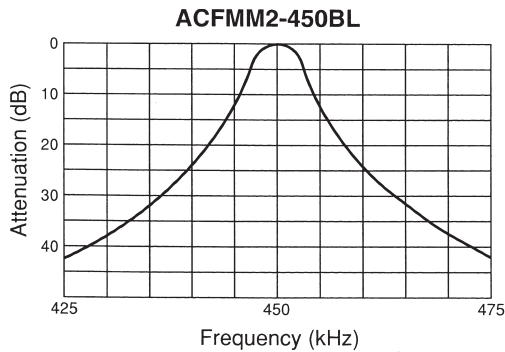
- Compact, low profile
- High selectivity characteristic
- Low temperature coefficient
- Lead-free terminations

### Applications

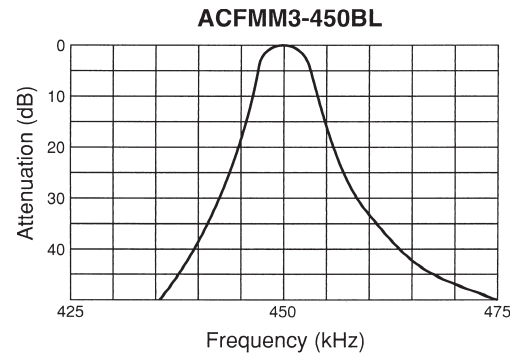
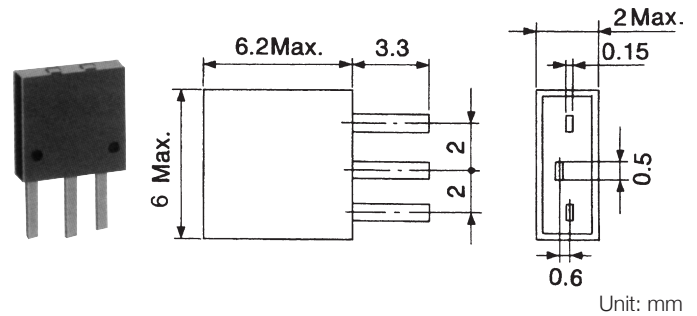
- AM radio cassettes, stereo sets
- Tuner packs, communications equipment.
- Wireless data communication equipment

### Typical Characteristics

#### Frequency Response



### Dimensions



## STANDARD FILTERS SELECTION GUIDE

### TYPE CFMM2/CFMM3 (CERASIZER®)

TOKO Part Number	Center Frequency (Fo)* (kHz)	Bandwidth at 6dB (kHz)	Selectivity at Fo±9kHz (dB)	Ripple in Pass Band (dB)	Insertion Loss (dB)	Input/Output Impedance (kΩ)
<b>CFMM2</b>						
##ACFMM2-450AL	450±1.0	4.0 min.	18.0 min.	1.0 max.	6.0 max.	3.0/3.0
##ACFMM2-450BL	450±1.0	5.5 min.	16.0 min.	1.0 max.	6.0 max.	3.0/3.0
##ACFMM2-450CL	450±1.0	8.0 min.	12.0 min.	2.0 max.	6.0 max.	3.0/3.0
<b>CFMM3</b>						
##ACFMM3-450AL	450±1.0	4.0 min.	28.0 min.	2.0 max.	6.0 max.	3.0/3.0
##ACFMM3-450BL	450±1.0	5.5 min.	24.0 min.	2.0 max.	6.0 max.	3.0/3.0
##ACFMM3-450CL	450±1.0	8.0 min.	19.0 min.	2.0 max.	6.0 max.	3.0/3.0



The information furnished by TOKO, Inc. is believed to be accurate and reliable. However, TOKO reserves the right to make changes or improvements in the design, specification or manufacture of its products without further notice. TOKO does not assume any liability arising from the application or use of any product or circuit described herein, nor for any infringements of patents or other rights of third parties which may result from the use of its products. No license is granted by implication or otherwise under any patent or patent rights of TOKO, Inc.