

Visible Light Sensing Photo Diode(a-Si) KVS-1001-P1

Description

The KVS-1001-P1 is high sensitive visible light sensor which KVS-1001(a -Si) and zenor diode combined in one PCB.
ESD is improved remarkably, minium 10kV for HBM.

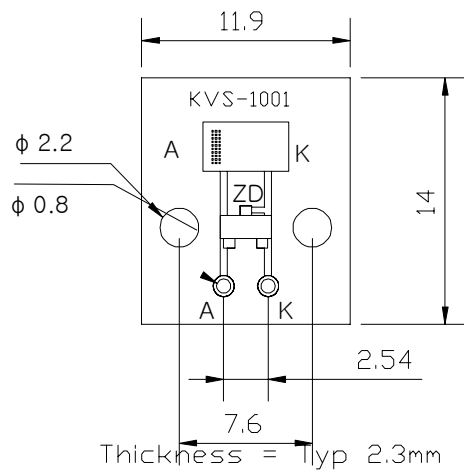


Features

- High Sensitivity in a visible area, but little Sensitivity in Others (UV and IR)
- Environment friendly Product (not contain Cadmium)
- Improved ESD Minium 10kV for HBM

Outline Dimensions

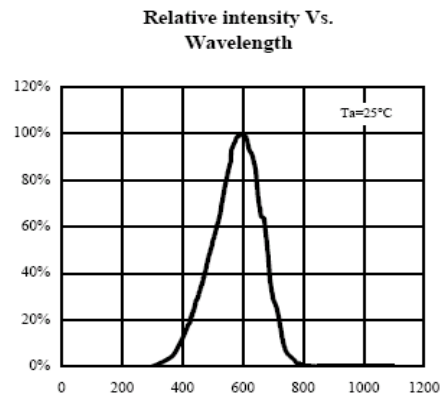
unit = mm



Application

- Brightness Detection of CRT, LCD
- Beam Position Detection of Projection TV
- Replace for CdS cell
- Control of the Lighting in a Car, Room, etc

Spectral sensitivity



Characteristics

[Ta= 25 °C]

| Description | Symbol | Condition | Min. | Typ. | Max. | Unit |
|-----------------------|-------------|-----------------|---------|------|------|------|
| Open circuit voltage | Voc | Ev= FL 100lx *1 | 0.35 | 0.40 | - | V |
| Short circuit current | Ish | | 0.35 | 0.39 | - | uA |
| Dark current | ID | VR=1V | - | 0.5 | 5 | nA |
| Spectral sensitivity | λ | 5 ~ 10% | 350~750 | | | nm |
| Peak Wavelength | λ_p | | - | 590 | - | nm |

*1. Normal White Fluorescent Light