

# 25 Amp Minature PCB Power Relay

# PC354



### FEATURES

- 25 Amp contact capacity
- 70 Amp Inrush
- 5 KV dielectric strength between coil and contacts
- .250 quick connect terminals for load
- 1.5 Hp @ 250 VAC
- Meets UL 873 spacing
- UL Class "F" insulation available



File # E93379

### UL/CUR RATINGS

| Load Type                | All Forms<br>All Contacts          |
|--------------------------|------------------------------------|
| Resistive                | 25 Amps/250 VAC, 20 Amps/277 VAC   |
| Motor                    | 1 1/2 Hp @ 250 VAC, 1 Hp @ 125 VAC |
| Maximum switched power   | 6380 VA, 750 W                     |
| Maximum switched voltage | 300 VAC, 30 VDC                    |

### CONTACT DATA

|                            |            |                                |
|----------------------------|------------|--------------------------------|
| Material                   |            | AgSnO (Silver Tin Oxide)       |
| Initial Contact Resistance |            | 30 milliohms max @ 0.1A, 6VDC  |
| Service Life               | Mechanical | 1 X 10 <sup>7</sup> Operations |
|                            | Electrical | 1 X 10 <sup>5</sup> Operations |

### CHARACTERISTICS

|                           |  |
|---------------------------|--|
| Operate Time              | 20 ms. Max.  |
| Release Time              | 10 ms. Max.  |
| Insulation Resistance     | 1,000 megohms min, at 500VDC, 50%RH  |
| Dielectric Strength       | 5000 Vrms, 1 min. between coil and contacts<br>1000 Vrms, 1 min. between open contacts |
| Shock Resistance          | 10 g, 11ms, functional; 100 g, destructive   |
| Vibration Resistance      | DA 1.0 mm, 10 - 55 Hz  |
| Power Consumption         | .9 Watts   |
| Ambient Temperature Range | -40 to 85 C, -40 to 130 C storage  |
| Weight                    | 28 grams approx.   |

### ORDERING INFORMATION

|  |       |     |     |   |   |
|--|-------|-----|-----|---|---|
| Example:                                 | PC354 | -1A | -12 | P | F |
| Model                                    |       |     |     |   |   |
| Contact Form                             |       |     |     |   |   |
| 1A                                       |       |     |     |   |   |
| Coil Voltage                             |       |     |     |   |   |
| Terminal Type                            |       |     |     |   |   |
| Nil: QC + PC, P: All PC                  |       |     |     |   |   |
| Insulation Material                      |       |     |     |   |   |
| Nil: Class B, F: Class F (155 degrees C) |       |     |     |   |   |

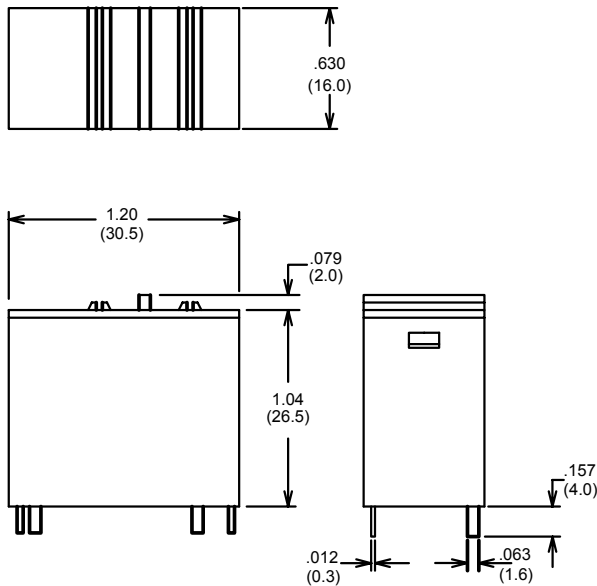
COIL DATA

| Coil Voltage | Resistance<br>ohms $\pm 10\%$ | Must Operate<br>Voltage Max.<br>(VDC) | Must Release<br>Voltage Min.<br>(VDC) | Continuous<br>Voltage Max.<br>(VDC) |
|--------------|-------------------------------|---------------------------------------|---------------------------------------|-------------------------------------|
| 5            | 27.7                          | 3.75                                  | 0.5                                   | 5.5                                 |
| 6            | 40                            | 4.5                                   | 0.6                                   | 6.6                                 |
| 9            | 90                            | 6.75                                  | 0.9                                   | 9.9                                 |
| 12           | 160                           | 9.0                                   | 1.2                                   | 13.2                                |
| 24           | 640                           | 18.0                                  | 2.4                                   | 26.4                                |
| 48           | 2560                          | 36.0                                  | 4.8                                   | 52.8                                |
| 110          | 13440                         | 82.5                                  | 11.0                                  | 121.0                               |

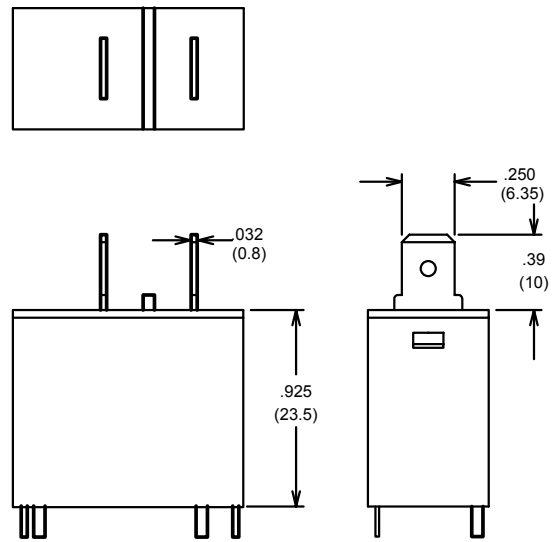
Note: Custom coil voltages within the ranges shown are available on special order.

Dimensions in Inches (millimeters)

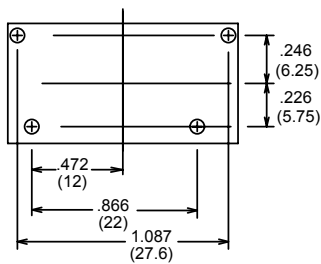
PC Version



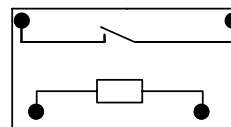
QC + PC Version



Bottom View  
PC Board Layout



Wiring Diagram



Notes:

Tolerances  $\pm .010$  unless otherwise noted



3220 Commander Drive, Suite 102, Carrollton, Texas 75006

Sales: Call Toll Free (888) 997-3933 Fax (818) 342-5296 email: pickerwest@sbcglobal.net URL: pickercomponents.com