



# Commercial Airborne GPS Antennas



## Features

- Full Compliance with ARINC 743
- GLONASS Performance
- FAA TSO Approved
- Qualified for Boeing Aircraft
- Rugged Package

## Description

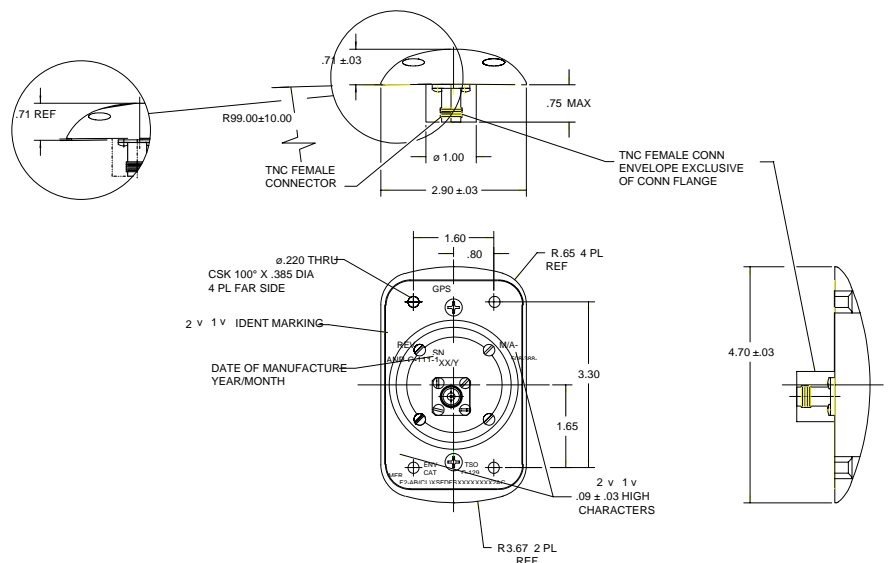
The ANP-C-111-X and ANP-C-112-X series antennas (dash number denoting marking differences only) are both fully compliant to the ARINC 743 standard for GPS (1575 MHz) and certified to FAA TSO C-129. ANP-C-111-X antennas, being tuned at a higher resonant frequency, also provide some performance at GLONASS (1609 MHz). Axial ratio and omnidirectivity is only slightly affected. The ANP-C-111-2 has been qualified for use on all Boeing aircraft.



## Specifications

Polarization	Right Hand Circular
Frequency	1575 MHz (-111) 1609 MHz (-111) 1575 MHz (-112)
Gain, Zenith	4.0 dBic
Gain, +10 deg	-2.0 dBic
VSWR	1.5:1
Gain, Zenith	2.0 dBic
Gain, +10 deg	-6.0 dBic Minimum
VSWR	2.0:1
Lightning Protection	Yes
Output Connector	TNC (f) bottom
Mount	Top, 4pt thru
Weight	210 grams max.
Color	White (others available)
TSO C-129 Cat: F2-AB(CL)XSFDXXXXXXXXX2AC	

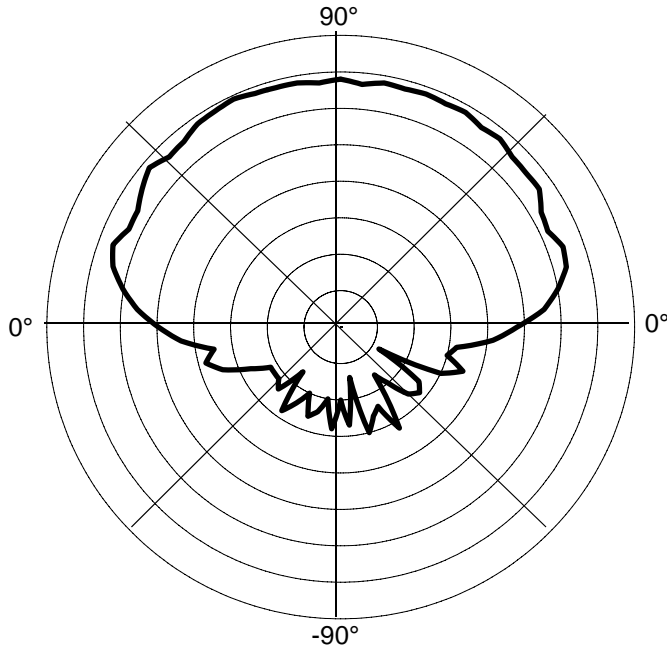
## Dimensions and Mounting



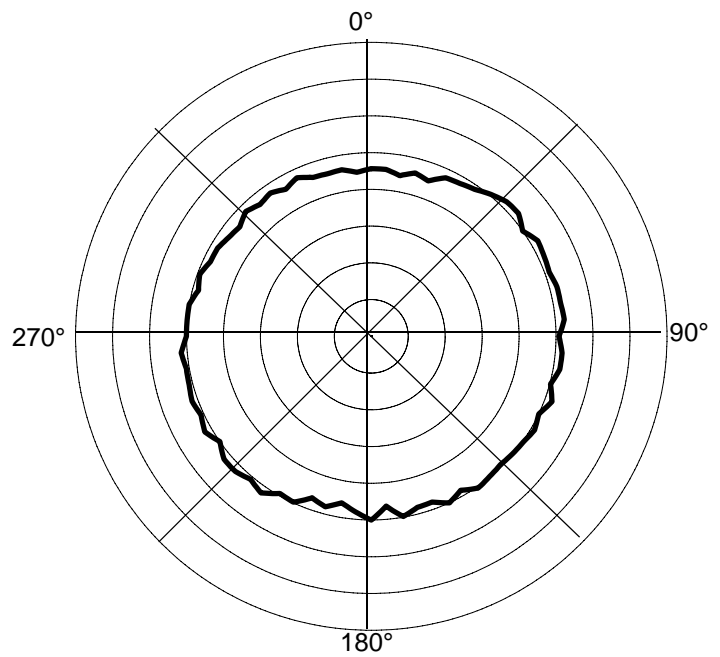
### Typical Electrical Performance

#### ANP-C-111 1575 MHz

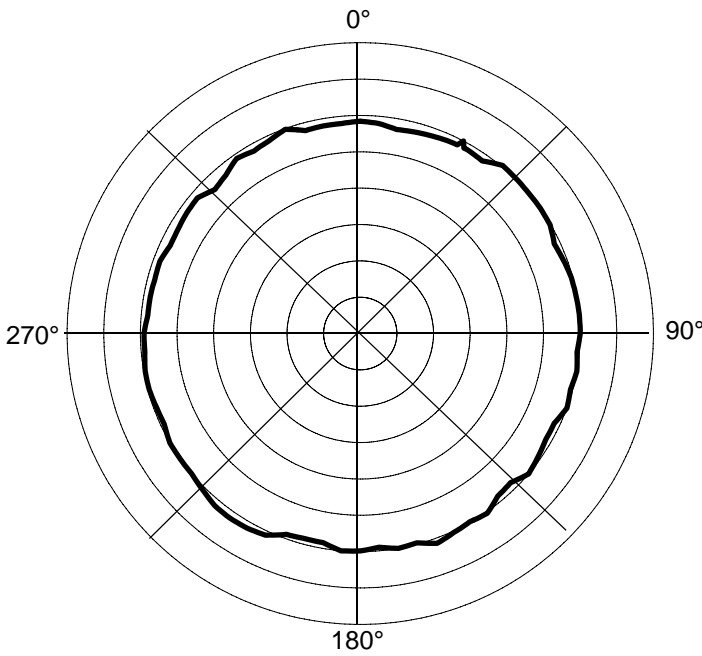
Elevation 0°/180°



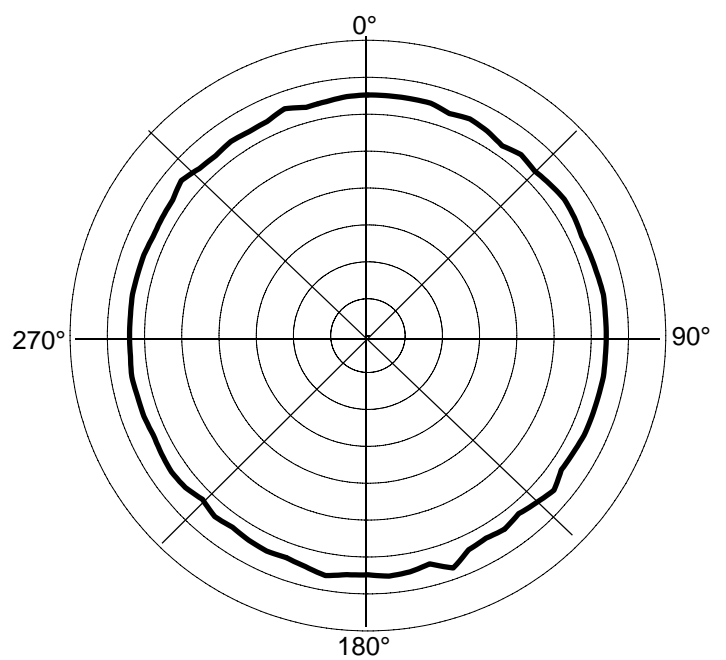
Azimuth at 0° Elevation



Azimuth 10° Elevation



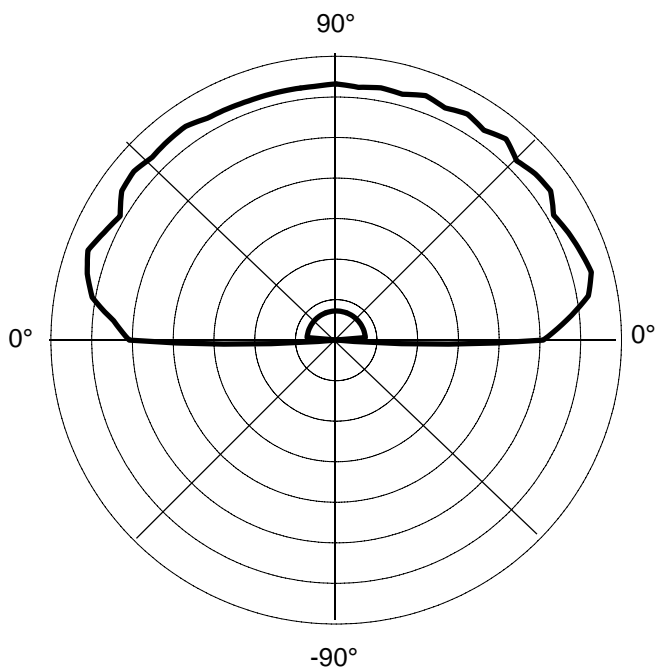
Azimuth at 20° Elevation



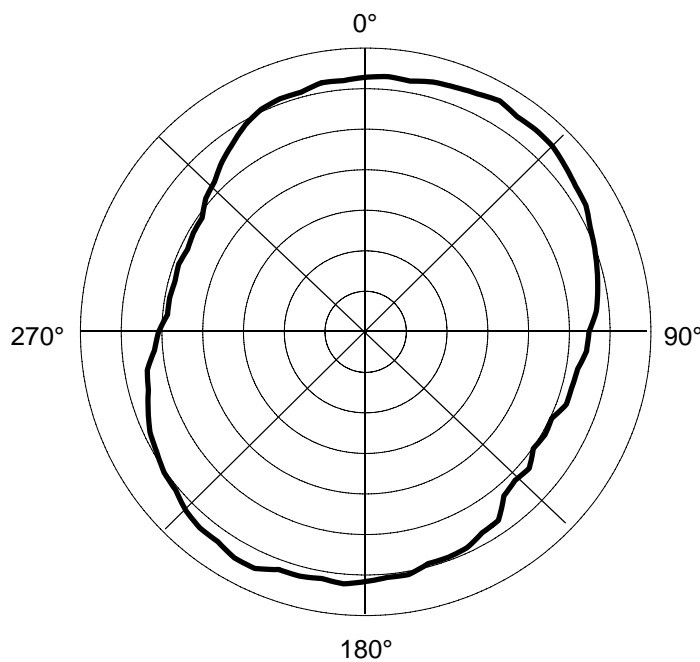
Typical Electrical Performance

ANP-C-111 1609 MHz

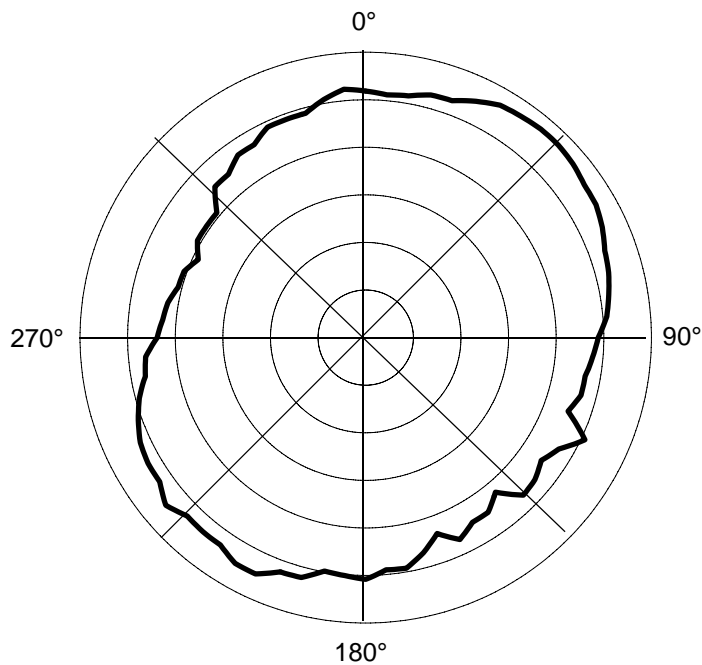
Elevation 0°/180°



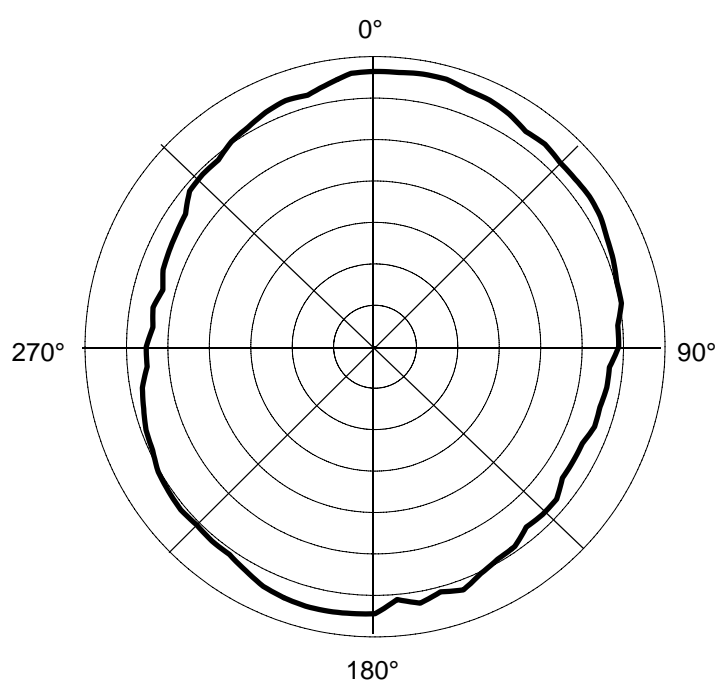
Azimuth at 10° Elevation



Azimuth 0° Elevation



Azimuth at 20° Elevation



V3.00

