

MICROSTRIP/STRIPLINE PIN DIODE SWITCH

DESCRIPTION:

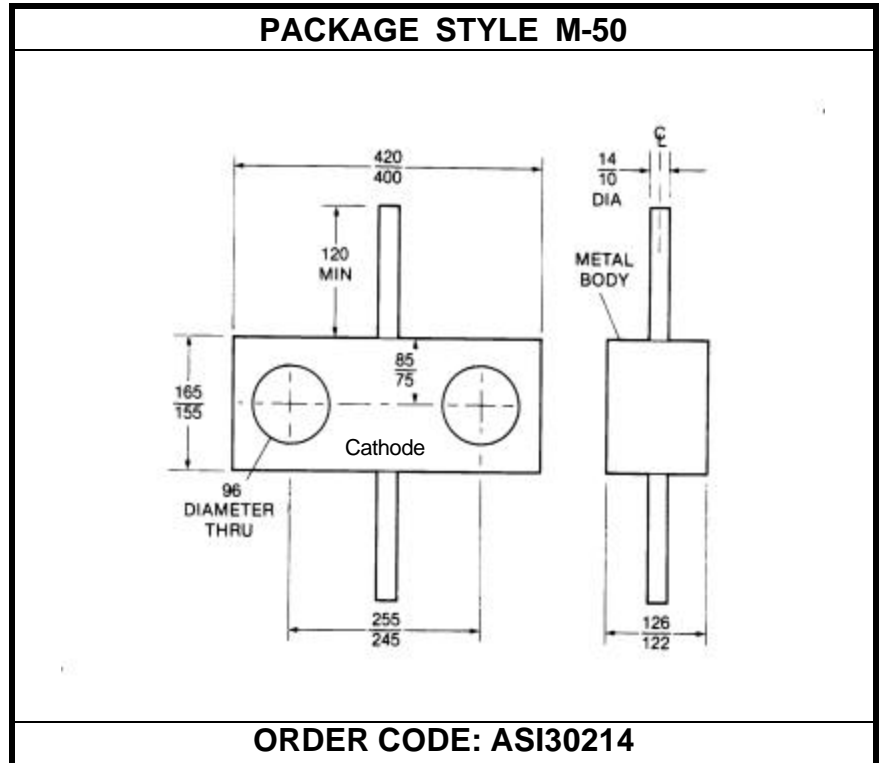
The **ASI 5082-3141** is a Silicon PIN Diode Module Designed for Reflective Attenuator and Switching Applications from 1 to 18 GHz.

FEATURES INCLUDE:

- Direct Replacement for **HP 5082-3141**
- Isolation = 20 dB min. at 8 GHz
- Hermetic Package

MAXIMUM RATINGS

I_F	250 mA
V_R	70 V
P_{DISS}	0.75 W @ T _C = 25 °C
T_J	-65 °C to +150 °C
T_{STG}	-65 °C to +150 °C
q_{JC}	125 °C/W


CHARACTERISTICS T_C = 25 °C

SYMBOL	TEST CONDITIONS			MINIMUM	TYPICAL	MAXIMUM	UNITS
V_{BR}	I _R = 10 μA			70			V
V_F	I _F = 100 mA					1.0	V
t	I _F = 10 mA	I _R = 6 mA			35		mS
I_L	I _F = 0 mA	P _{IN} = 0 dBm	f = 8 GHz			1.0	dB
I_L	I _F = 20 mA	P _{IN} = 0 dBm	f = 8 GHz	20			dB
V_{SWR}	I _F = 0 mA	P _{IN} = 0 dBm	f = 8 GHz			1.5:1	---