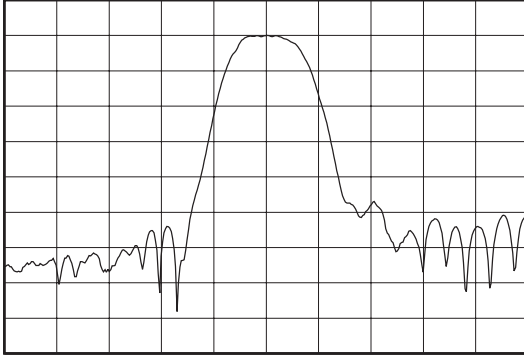
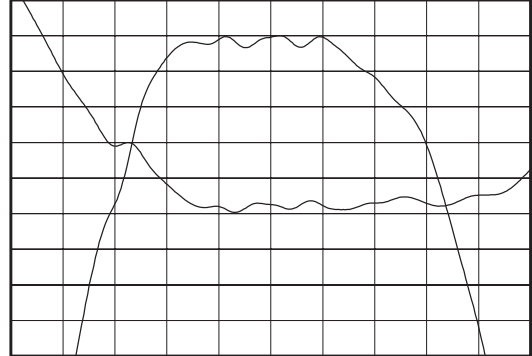


Data Sheet

Typical Performance



Horizontal: 1 MHz/Div
Vertical: 10 dB/Div

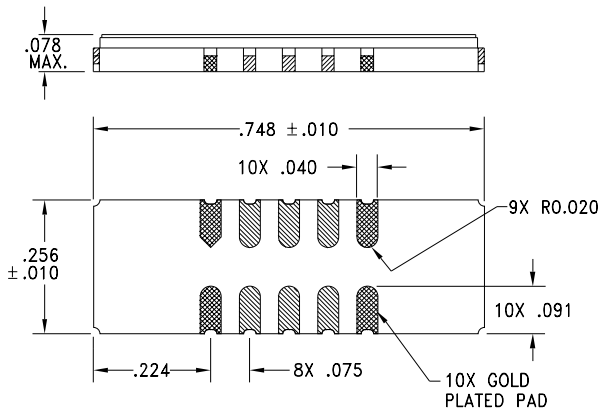


Horizontal: 300 kHz/Div
Vertical: 1 dB/Div
Vertical: 10 deg/Div

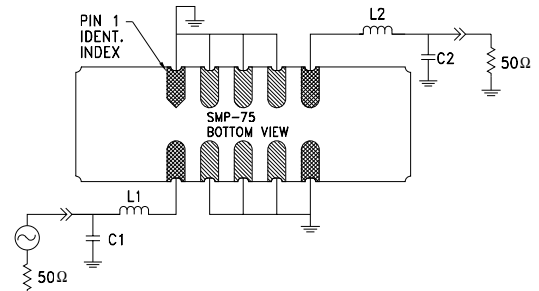
Specifications

Parameter	Unit	Minimum	Typical	Maximum
Center Frequency	MHz	69.92	70	70.08
Insertion Loss at F_o	dB	-	7.5	8.25
1 dB Bandwidth	MHz	0.83	1.04	-
3 dB Bandwidth	MHz	1.5	1.52	-
40 dB Bandwidth	MHz	-	3.2	3.5
Passband Ripple	dB	-	0.85	1
Phase Linearity (60% of 3 dB Bandwidth)	deg	-	5.6	7
Group Delay Variation (60% of 3 dB Bandwidth)	nsec	-	340	425
Absolute Delay	μ sec	-	2.2	-
Substrate Material	-	-	LiTaO ₃	-
Temperature Coefficient	ppm/ $^{\circ}$ C	-	-23	-
Ambient Temperature	$^{\circ}$ C	-	25	-

Package Outline



Matching Configuration



L1 = 150nH, L2 = 120nH
C1 = 33pF, C2 = 56pF
Nominal Source/Load Impedance = 50 Ω
Package Style SMP-75

11/24/99