

JQC-24F

AUTOMOTIVE RELAY



Typical Applications

Fan control, Fuel pump control, Oil injection, A/C compressor clutch, Horn control, Lighting, fog lamp & headlight control

Features

- 15A continuous contact rating at 85°C.
- 1 From A and 1 From C arrangement.
- 2.8mm plug-in terminals.
- Plastic enclosure.
- Extended temperature range: -40°C to +125°C

CONTACT DATA

| | | |
|----------------------------------|----------------------------|--------------|
| Contact Arrangement | 1C | 1A |
| Initial Contact Resistance | Max. 100mΩ (at 1A 6VDC) | |
| Contact Material | AgSnO ₂ | |
| Contact rating | 14VDC NO/NC : 20A/10A | 14VDC 20A |
| Max. Break current | NO/NC : 30A/15A | 30A |
| Max. Continuous current | NO/NC : 20A/10A | 20A |
| Max. Make current ⁽¹⁾ | NO/NC : 120A/40A | 120A |
| Min. Applicable load | 6VDC, 100mA | |
| Mechanical life | 1x10 ⁷ OPS | |
| Electrical life | 1x10 ⁵ OPS | |

Note (1) : Inrush current for lamp load

COIL

| | |
|------------|---------------------------|
| Coil power | 1.3W, 1.5W(with resistor) |
|------------|---------------------------|

CHARACTERISTICS

| | | |
|-------------------------------|---|----------------------|
| Initial Insulation Resistance | 100MΩ 500VDC | |
| Dielectric Strength | Between coil and Contacts | 500VAC |
| | Between open contacts | 500VAC |
| Operate time (at nomi.Vot.) | 4 ms | |
| Release time (at nomi.Vot.) | 1.5 ms | |
| Shock Resistance | Functional | 100 m/s ² |
| | Destructive | 200 m/s ² |
| Vibration resistance | 1.27mm, 10 ~ 40Hz; 40 ~ 70Hz, 50m/s ² 0.5mm, 70 ~ 100Hz; 100 ~ 500Hz, 100m/s ² | |
| Ambient temperature | -40°C to +125°C | |
| Termination | ISO | |
| Unit weight | 21g | |
| Construction | Dust Cover | |

COIL DATA

| Nominal Voltage VDC | Pick-up Voltage VDC | Drop-out Voltage VDC | Coil Resistance ± 10% | Allowable Overdrive (VDC) | |
|------------------------|------------------------|-------------------------|--------------------------|------------------------------|------|
| | | | | 23°C | 85°C |
| 6 | 3.60 | 0.60 | 27 | 10.4 | 7.60 |
| 12 | 7.20 | 1.20 | 109 | 20.4 | 14.9 |
| 24 | 14.40 | 2.40 | 436 | 40.4 | 29.6 |



HONGFA RELAY
ISO9001、ISO/TS16949、ISO14001 CERTIFIED

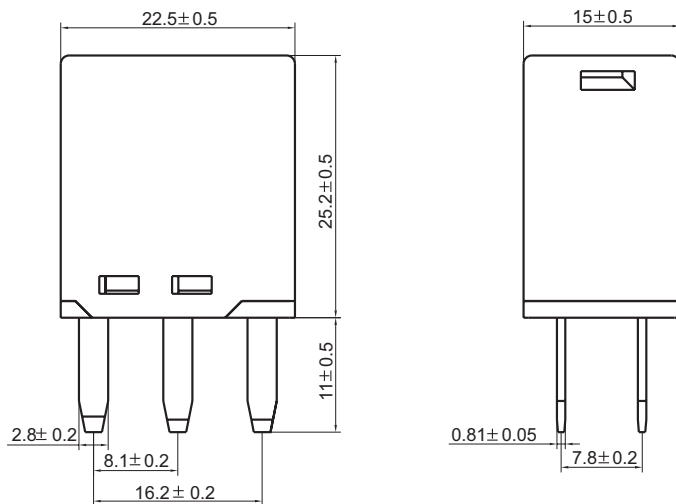
VERSION: EN02-20040601

ORDERING INFORMATION

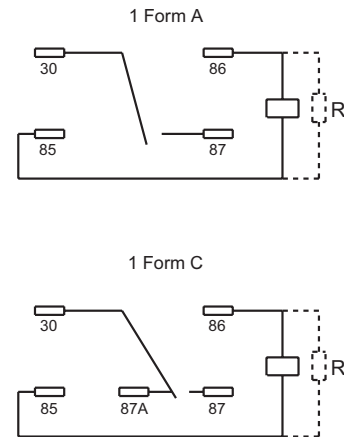
| | | |
|-------------------------------|---|-----|
| Type | JQC-24F / 012 1Z R | XXX |
| Coil voltage | 6, 12, 24VDC | |
| Contact arrangement | 1H:1A (SPST-NO) 1Z:1C (SPDT) | |
| Parallel resistor | <p>R: Resistor in parallel with coil. 180Ω resistor in parallel 6VDC coil; 680Ω resistor in parallel 12VDC coil; 2700Ω resistor in parallel 24VDC coil; Nil: Without resistor</p> | |
| Customer special request code | | |

OUTLINE DIMENSIONS, WIRING DIAGRAM AND PC BOARD LAYOUT

Outline Dimensions

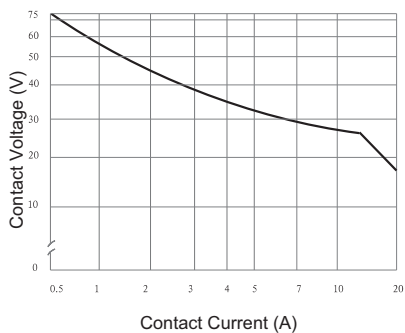


Wiring Diagram



CHARACTERISTICS CURVE

Maximum Swit Ching Power



Max.Allowable Ambient Temperature

