

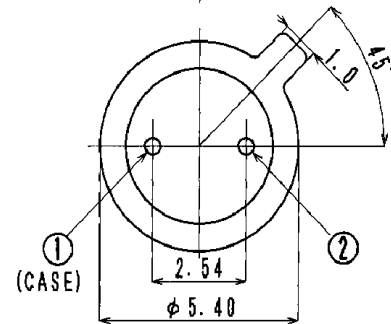
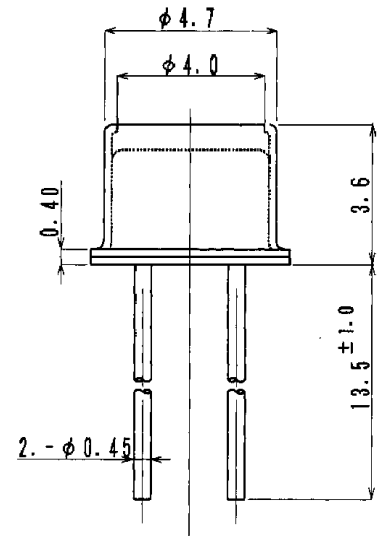
MT4730W-UBL

Features

High Reliability
High Output Power

Applications

Color Sensor
Paper Sensor
Bar Code Reader
Fiber Optics



① Cathode

② Anode

Maximum Ratings (Ta=25°C)

| Characteristic | Symbol | Max. | Test Condition | Unit |
|------------------------|------------------|--------------|---------------------|------|
| Forward Current | I _F | 30 | – | mA |
| Pulsed Forward Current | I _{FP} | .30 | tw=10μ S, T=10mS | A |
| Reverse Voltage | V _R | 5 | – | V |
| Power Dissipation | P _D | 120.00 | – | mW |
| Operating Temperature | T _{opr} | -20~+85 | – | °C |
| Storage Temperature | T _{stg} | -30 ~+100 | – | °C |
| Junction Temperature | T _j | 100 | – | °C |
| Soldering Temperature | T _{sol} | 260 | for 5 sec. max | °C |

Opto-Electrical Characteristics (Ta=25°C)

| Characteristic | Symbol | Test Condition | Min | Typ | Max | Unit |
|---------------------------|----------------|----------------------|-----|-------|------|------|
| Forward Voltage | V _F | I _F =20mA | – | 3.60 | 4.00 | V |
| Reverse Current | I _R | V _R =5V | – | – | 100 | μA |
| Power Output | PO | I _F =20mA | – | 2.40 | – | mW |
| Half Intensity Beam Angle | θ | – | – | ± 30° | – | deg. |
| Peak Wavelength | λ _p | I _F =20mA | – | 465 | – | nm |
| Dominant Wavelength | λ _d | I _F =20mA | – | 470 | – | nm |
| Spectral Line Half Width | Δλ | I _F =20mA | – | 28 | – | nm |

Company Headquarters

3 Northway Lane North
Latham, New York 12110
Toll Free: 800.984.5337
Fax: 518.785.4725

West Coast Sales Office

950 South Coast Drive, Suite 265
Costa Mesa, California 92626
Toll Free: 800.984.5337
Fax: 714.850.9314

MT4730W-UBL Graphs

