

30 Amp Power Relay

PC737



FEATURES

- 1/4 inch male QC terminals
- Up to 30 amp switching capacity
- Up to 1 1/2 horsepower rating
- Heavy duty double make double break contacts
- Available with push to test button
- Available with indicator light
- Available with side or top mounting flange

 File # E93379  Certificate # LR 109231

UL/CSA RATINGS

Load Type	Voltage	All Versions All Contacts
General Purpose	120 VAC	30 A
	277 VAC	30 A
	28 VDC	30 A
Resistive	120 VAC	30 A
	277 VAC	30 A
	600 VAC	15 A
Motor	200-600 VAC	1 1/2 HP
	120 VAC	1 HP

CONTACT DATA

Material	AgCdO (Silver Cadmium Oxide)	
Initial Contact Resistance	50 milliohms max @ 1A, 6VDC	
Service Life	Mechanical	1 X 10 ⁷ Operations
	Electrical	1 X 10 ⁵ Operations

CHARACTERISTICS

Operate Time	20 ms. Max.
Release Time	10 ms. Max.
Insulation Resistance	1,000 megohms min, at 500VDC, 50%RH
Dielectric Strength	2200 Vrms, 1 min. between coil and contacts 1500 Vrms, 1 min. between open contacts 1600 Vrms, 1 min. between contact circuits
Shock Resistance	10 g, 11ms, functional; 100 g, destructive
Vibration Resistance	DA 2 mm, 10-50 Hz
Power Consumption	DC coil 1.2 W, AC coil 3 VA
Ambient Temperature Range	-40 to 70 C, -40 to 130 C storage
Weight	80 grams approx.

ORDERING INFORMATION

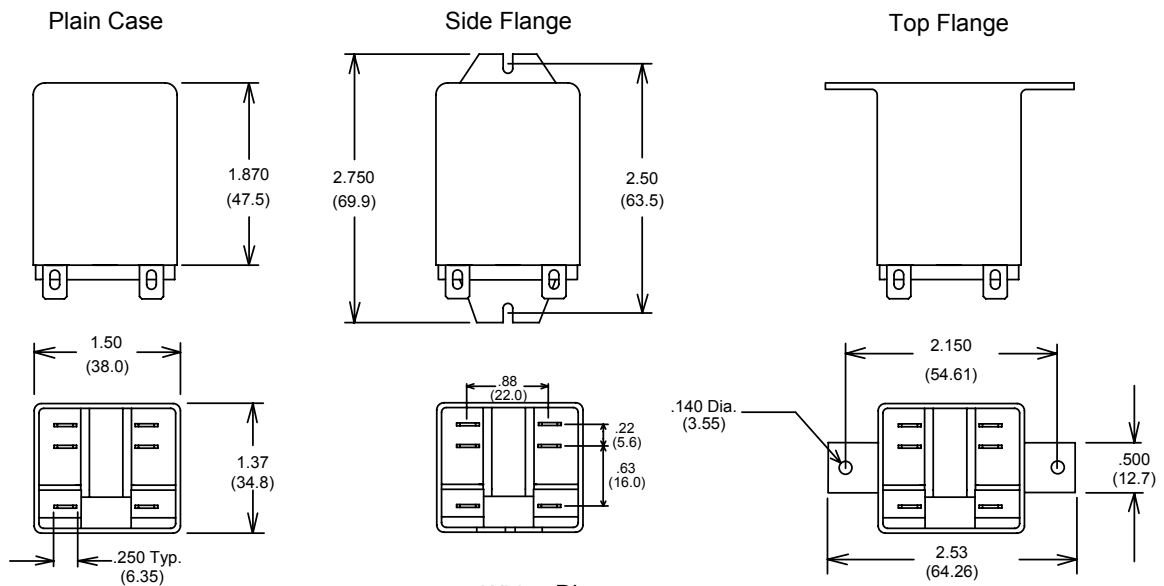
Example:	PC737	1Z-	C1-	LM	120 A
Model					
Contact Form	1X (SPSTNO), 1Y (SPSTNC), or 1Z (SPDT)				
Case Style	C: Plain Case, C1: Side Flange, C3: Top Flange				
Options	Nil: None; L: Indicator light; M: Push to test				
Coil Voltage Code	XXX VDC or XXX VAC				

COIL DATA

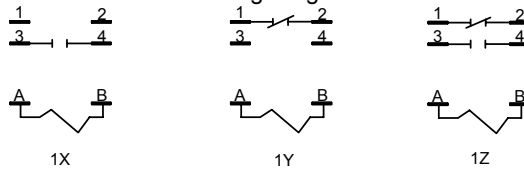
Voltage Type		Coil Voltage Code	Resistance ohms ± 10%	Coil Power	Must Operate Voltage Max.	Must Release Voltage Min.	
DC	1X	06	32	1.5 W	4.5	0.6	
		12	120		9.0	1.2	
		24	472		18	2.4	
	1Y	48	1800		36	4.8	
		110	10000		82.5	11.0	
		1Z	06		24	4.5	0.6
			12		96	9.0	1.2
	24		384		18	2.4	
	AC		48		1536	36	4.8
			110		9600	82.5	11.0
12			18.0	93.5	1.2		
24			72.0	19.2	2.4		
120			1700	102	12.0		
		240	7200	204	24.0		

Note: Custom coil voltages within the ranges shown are available on special order.

Dimensions in Inches (Millimeters)



Wiring Diagrams



Tolerances ± .010 unless otherwise noted



3220 Commander Drive, Suite 102, Carrollton, Texas 75006

Sales: Call Toll Free (888) 997-3933 Fax (818) 342-5296 email: pickerwest@sbcglobal.net