

**DATA SHEET**

# SKY77154 System Smart® PA Module for CDMA / AMPS (824–849 MHz)

**Applications**

- Digital cellular (CDMA)
- Analog cellular (AMPS)
- Wireless local loop (WLL)

**Features**

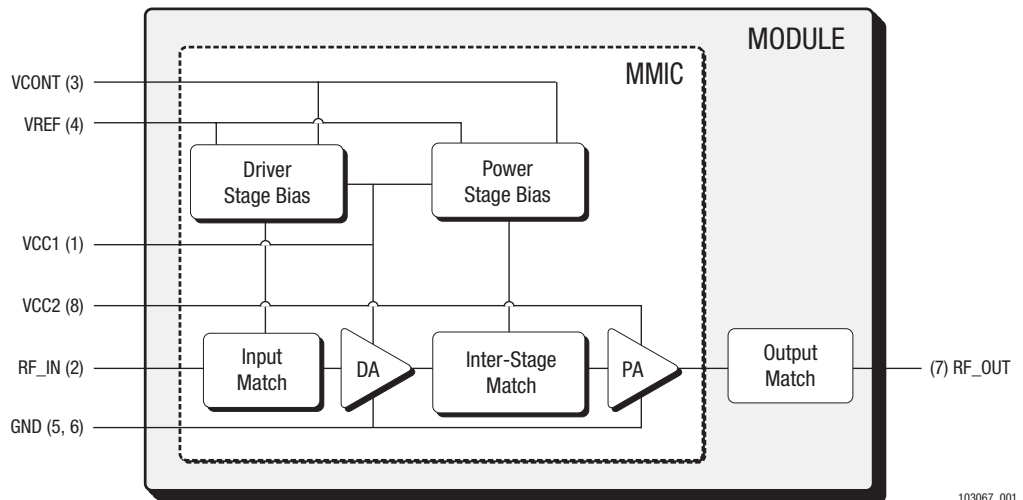
- Low voltage positive bias supply
  - 3.2 V to 4.2 V
- Low  $V_{REF}$ 
  - 2.85 V, nominal
- Low  $I_{REF}$ 
  - less than 1 mA
- Good linearity
- High efficiency
- Large dynamic range
- 8-pin package
  - 3 x 3 x 1.2 mm
- Power down control
- Dynamic bias control
- InGaP
- IS95/CDMA2000/EVDO

**Description**

The SKY77154 System Smart® Power Amplifier Module (PAM) is a fully matched, 8-pin surface mount module developed for Code Division Multiple Access (CDMA) / Advanced Mobile Phone Service (AMPS) and Wireless Local Loop (WLL) applications. This small and efficient module packs a full 824–849 MHz bandwidth coverage into a single compact package. The device meets the stringent IS95 CDMA linearity requirements to and exceeding 28 dBm output power, and can be driven to levels beyond 31 dBm for high efficiency in FM mode operation. A low current pin (VCONT) provides improved efficiency for the low RF power range of operation.

The single Gallium Arsenide (GaAs) Microwave Monolithic Integrated Circuit (MMIC) contains all active circuitry in the module. The MMIC contains on-board bias circuitry, as well as input and interstage matching circuits. The output match is realized off-chip and within the module package to optimize efficiency and power performance into a 50-ohm load. This device is manufactured with Skyworks' GaAs Heterojunction Bipolar Transistor (HBT) process that provides for all positive voltage DC supply operation while maintaining high efficiency and good linearity. Primary bias to the SKY77154 is supplied directly from a three-cell Ni-Cd, a single-cell Li-Ion, or other suitable battery with an output in the 3.2 to 4.2 volt range. Power down is accomplished by setting the voltage on the low current reference pin to zero volts. No external supply side switch is needed as typical "off" leakage is a few microamperes with full primary voltage supplied from the battery.

**NEW** Skyworks offers lead (Pb)-free "environmentally friendly" packaging that is RoHS compliant (European Parliament for the Restriction of Hazardous Substances).



**Figure 1. Functional Block Diagram**

### Electrical Specifications

The following tables list the electrical characteristics of the SKY77154 Power Amplifier. [Table 1](#) lists the absolute maximum ratings, while [Table 2](#) lists the recommended operating conditions

for achieving the electrical performance listed in [Table 4](#). [Table 3](#) presents a truth table for the power settings.

**Table 1. Absolute Maximum Ratings <sup>1</sup>**

Parameter	Symbol	Minimum	Nominal	Maximum	Unit
RF Input Power	CDMA	PIN_D	—	-1.0	dBm
	AMPS	PIN_A	—	3.0	
Supply Voltage	VCC	—	3.4	6.0	Volts
Reference Voltage	VREF	—	2.85	3.0	Volts
Control Voltage	VCONT	—	TBD	3.0	Volts
Case Temperature <sup>2</sup>	Operating	TCASE	-30	25	°C
	Storage	TSTG	-55	—	

<sup>1</sup> No damage assuming only one parameter is set at limit at a time with all other parameters set at nominal value.

<sup>2</sup> Case Operating Temperature refers to the temperature of the GROUND PAD at the underside of the package.

**Table 2. Recommended Operating Conditions**

Parameter	Symbol	Minimum	Nominal	Maximum	Unit
Output Power	CDMA	PO_D	—	28	dBm
	AMPS	PO_A	—	31	
Operating Frequency	Fo	824.0	836.5	849.0	MHz
Supply Voltage	VCC	3.2	3.4	4.2	Volts
Reference Voltage	VREF	2.75	2.85	2.95	Volts
Control voltage	VCONT	1.0	TBD	2.0	Volts
Case Operating Temperature	To	-30	+25	+85	°C

**Table 3. Power Range Truth Table <sup>1</sup>**

Power Setting	VREF	VCONT	Output Power
High Power	2.85 V	2.0 V	28 dBm
Low Power	2.85 V	< 1.3 V	≤ 0 dBm
Shut Down	0.0 V	0.0 V	—

<sup>1</sup> In the output power range between -10 dBm and +28 dBm, VCONT can be continuously adjusted to minimize current consumption while meeting required linearity specification.

**Table 4. Electrical Specifications for CDMA AMPS Nominal Operating Conditions <sup>1</sup>**

Characteristics	Symbol	Condition	Minimum	Typical	Maximum	Unit	
Gain Conditions	Digital Mode	GLOW	V <sub>CONT</sub> ≤ 1.3 V P <sub>0,D</sub> ≤ 0 dBm	21.5	23.0	24.5	dB
		GMID	V <sub>CONT</sub> = 1.55 V P <sub>0,D</sub> = 16 dBm	24.5	26.0	27.5	
		GHIGH	V <sub>CONT</sub> = 1.8 V P <sub>0,D</sub> = 28 dBm	28.0	29.0	31.0	
	Analog Mode	GP	V <sub>CONT</sub> = 2.08 V P <sub>0,A</sub> = 31 dBm	28.0	29.0	31.0	
Gain Flatness <sup>2</sup>		GF	V <sub>CONT</sub> ≤ 2.08 V P <sub>0</sub> ≤ 31 dBm	—	—	0.75	dB
Power Added Efficiency	Digital Mode	PAED <sub>LOW</sub>	V <sub>CONT</sub> = 1.3 V P <sub>0,D</sub> = 0 dBm	0.60	0.75	—	%
		PAED <sub>HIGH</sub>	V <sub>CONT</sub> = 1.8 V P <sub>0,D</sub> = 28 dBm	37.0	39.0	—	
	Analog Mode	PAE <sub>a</sub>	V <sub>CONT</sub> = 1.8 V P <sub>0,A</sub> = 31 dBm	48.0	54.0	—	
Total Supply Current		ICC <sub>LOW</sub>	V <sub>CONT</sub> = 1.3 V P <sub>0,D</sub> = 0 dBm	—	37	50	mA
		ICC <sub>HIGH</sub>	P <sub>0,D</sub> = 28 dBm	—	475	500	
Quiescent Current		ICQ <sub>LOW</sub>	V <sub>CONT</sub> = 1.3 V	25	35	50	mA
		ICQ <sub>HIGH</sub>	V <sub>CONT</sub> ≥ 1.8 V	55	72	95	
Reference Current		IREF		0.2	1.0	2.0	mA
Control Current		ICTRL	V <sub>CONT</sub> = 1.8 V	100	120	150	μA
Adjacent Channel Power <sup>3,4</sup>	885 kHz offset	ACP1 <sub>LOW</sub>	V <sub>CONT</sub> ≤ 1.3 v P <sub>0,D</sub> ≤ 0 dBm	—	–58	–50	dBc
		ACP1 <sub>HIGH</sub>	V <sub>CONT</sub> ≥ 1.8 V P <sub>0,D</sub> ≤ 28 dBm	—	–49	–48	
	1.98 MHz offset	ACP2 <sub>LOW</sub>	V <sub>CONT</sub> ≤ 1.3 v P <sub>0,D</sub> ≤ 0 dBm	—	–60	–56	
		ACP2 <sub>HIGH</sub>	V <sub>CONT</sub> ≥ 1.8 V P <sub>0,D</sub> ≤ 28 dBm	—	–58	–56	
Harmonic Suppression	Second	F <sub>02</sub>	P <sub>0,D</sub> ≤ 31 dBm	—	–40	–30	dBc
	Third	F <sub>03</sub>		—	–52	–45	
Noise Power in RX Band 869-894 MHz		RxBN	P <sub>0,D</sub> ≤ 28 dBm	—	–137	–136	dBm/Hz
Noise Figure		NF		—	4.6	5.0	dB
Input Voltage Standing Wave Ratio		VSWR		—	2.0:1	2.3:1	
Stability (Spurious output)		S	5:1 VSWR all phases	—	—	–62.0	dBc
Ruggedness—No damage <sup>5</sup>		Ru	P <sub>0,D</sub> ≤ 28 dBm	10:1	—	—	VSWR
			P <sub>0,D</sub> = 29 dBm	5:1	—	—	
Turn On Time <sup>6</sup>	DC	T <sub>ONDC</sub>		—	40	—	μs
	RF	T <sub>ONRF</sub>		—	5	—	
Turn Off Time <sup>6</sup>	DC	T <sub>OFFDC</sub>		—	40	—	μs
	RF	T <sub>OFFRF</sub>		—	5	—	

<sup>1</sup> VCC = 3.4 V, VREF = 2.85 V, Freq. = 836.5 MHz, TCASE = +25 °C.

<sup>2</sup> Over operating frequency range

<sup>3</sup> ACP is specified per IS95 as the ratio of the total in-band power (1.23 MHz BW) to adjacent power in a 30 kHz BW.

<sup>4</sup> For CDMA2000 test configured as [PCH @ –3.75 dB, DCCH–9600 bps @ 0 dB; SCHO–9600 bps @ 0 dB] and other test configurations that yield a peak-to-average up to 4.5 dB for CCDF = 1%, up to 1. dB power back off from the maximum listed for IS95 may be required to meet specified maximum ACP performance under worst-case conditions.

<sup>5</sup> All phases, time = 10 seconds; VCC = 4.2 V; Freq. = 824 MHz, 836.5 MHz, 849 MHz; TCASE = –30 °C, +25 °C, +85 °C; P<sub>0</sub> set using 50 Ω load, PIN held constant during mismatch.

<sup>6</sup> TONDC is time required to reach stable quiescent bias (±10%) after VREF is switched high.

TOFFDC is time required for battery to decrease to < 100 μA after VREF is switched low.

After ICQ is stable, The TONRF is time to reach final output power (±1 dB) once RF input is applied.

TOFFRF is time required for P<sub>0</sub> to drop 30 dB once RF input is removed.

### Characterization Data

Figure 2 through Figure 7 illustrate the characteristics of a typical SKY77154 power amplifier designed for operation in the CDMA frequency band (824–849 MHz). Shown are power sweep

characteristics for key performance parameters up to 28 dBm output power.

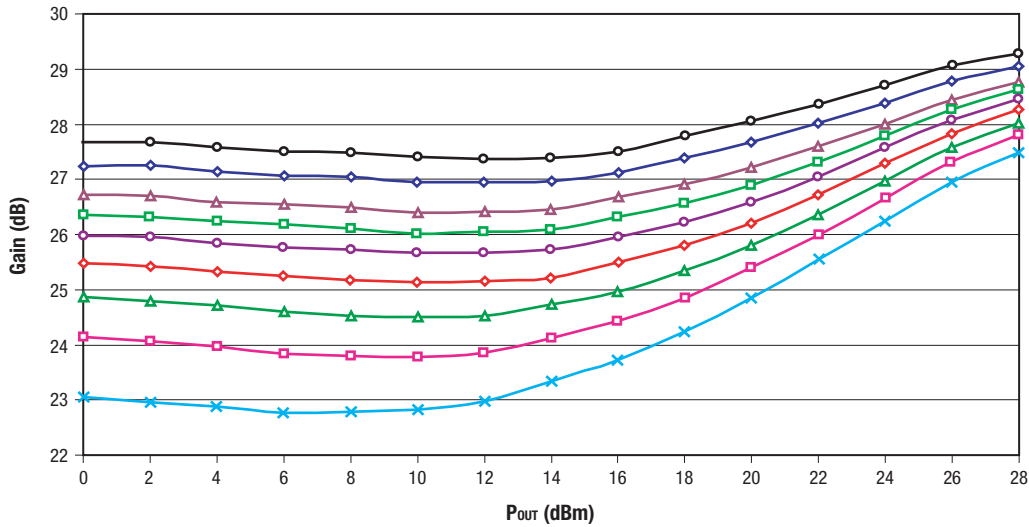


Figure 2. Gain vs. V<sub>cont</sub>

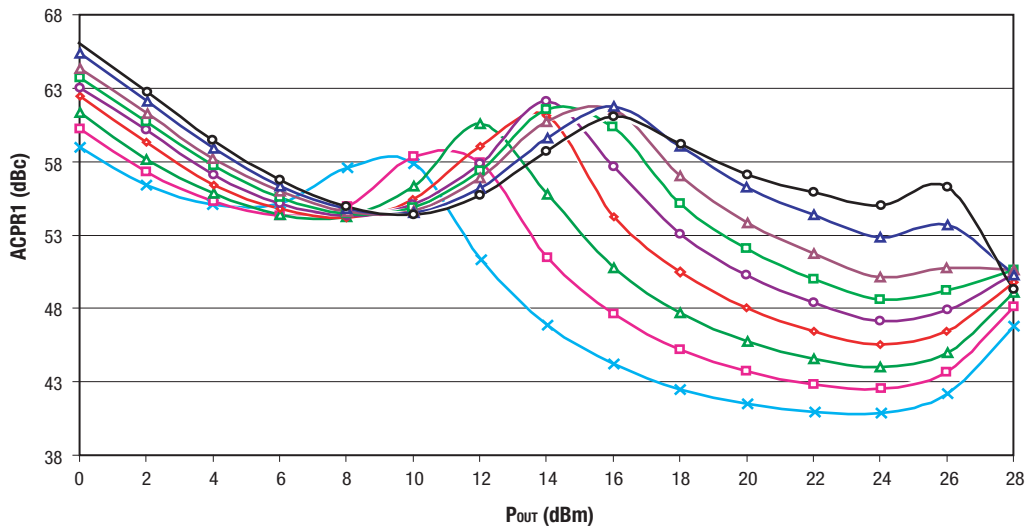
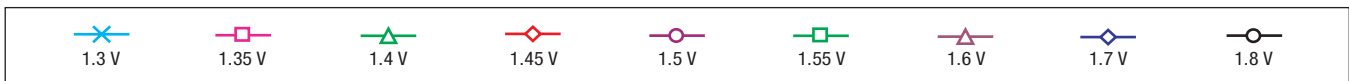


Figure 3. ACPR1 vs. V<sub>cont</sub>



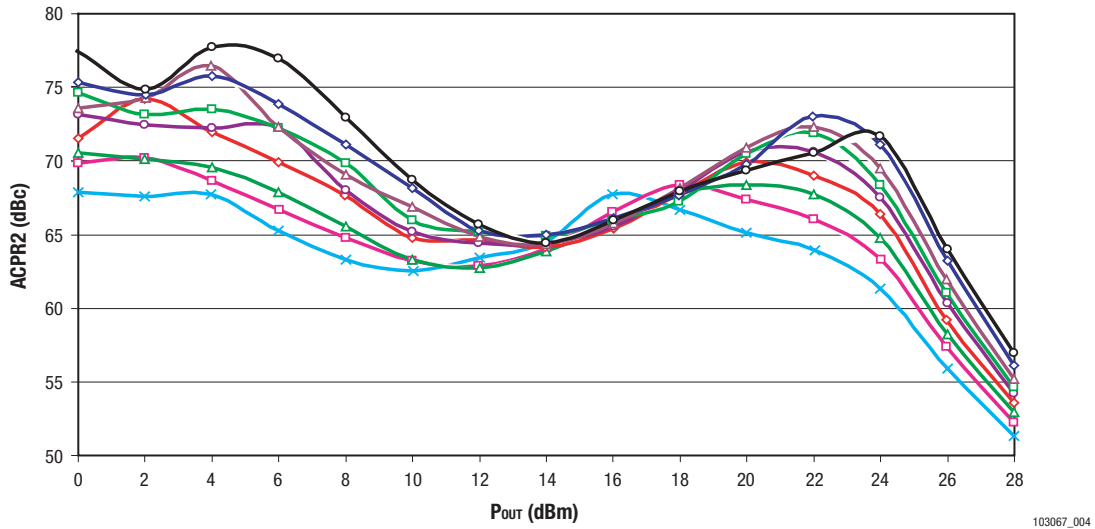


Figure 4. ACPR2 vs. V<sub>CONT</sub>

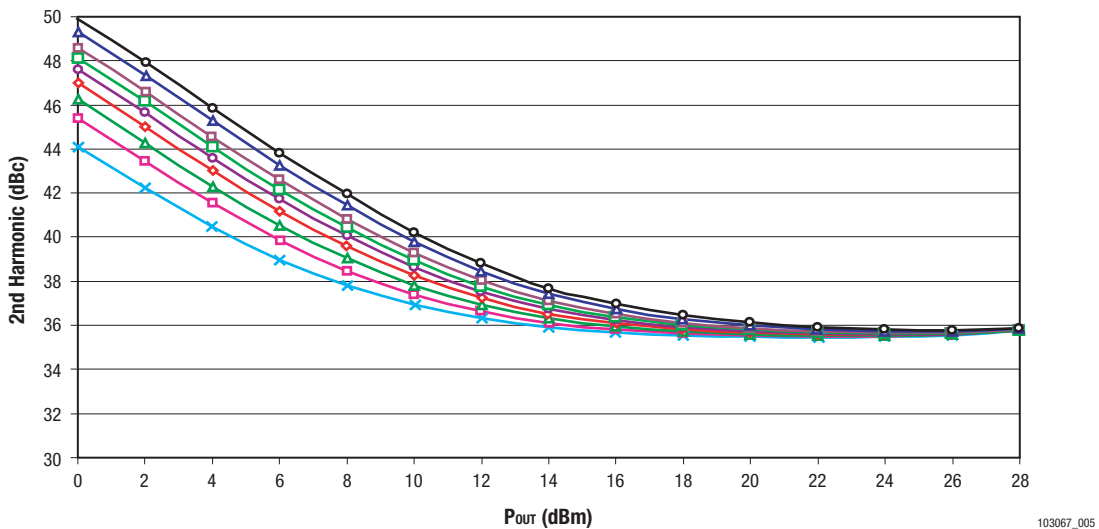
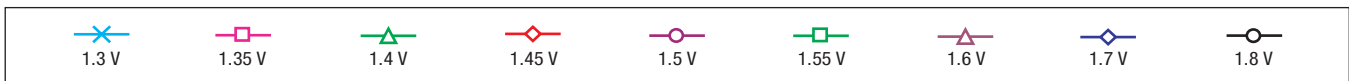


Figure 5. 2 x f<sub>0</sub> vs. V<sub>CONT</sub>



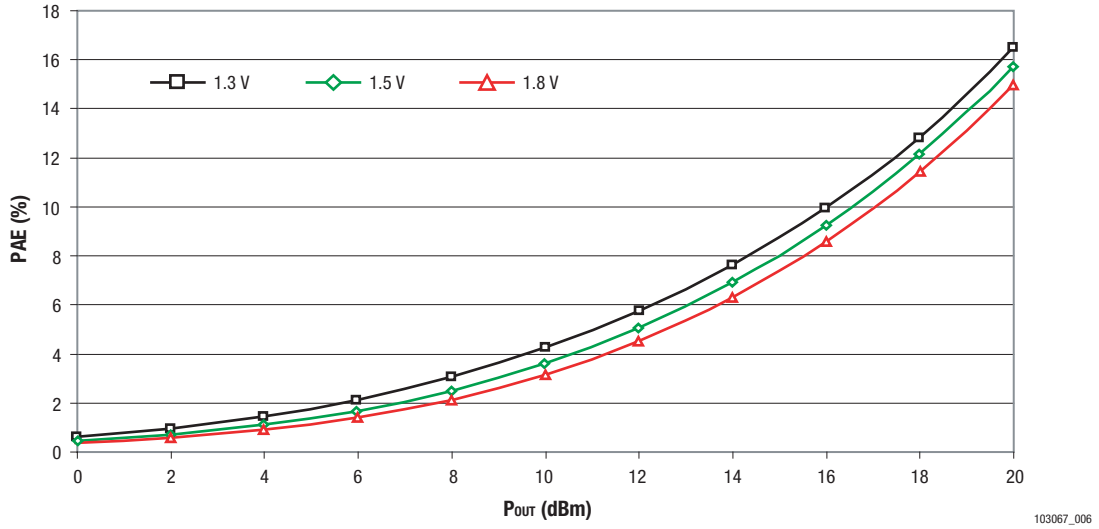


Figure 6. PAE vs. V<sub>cont</sub>

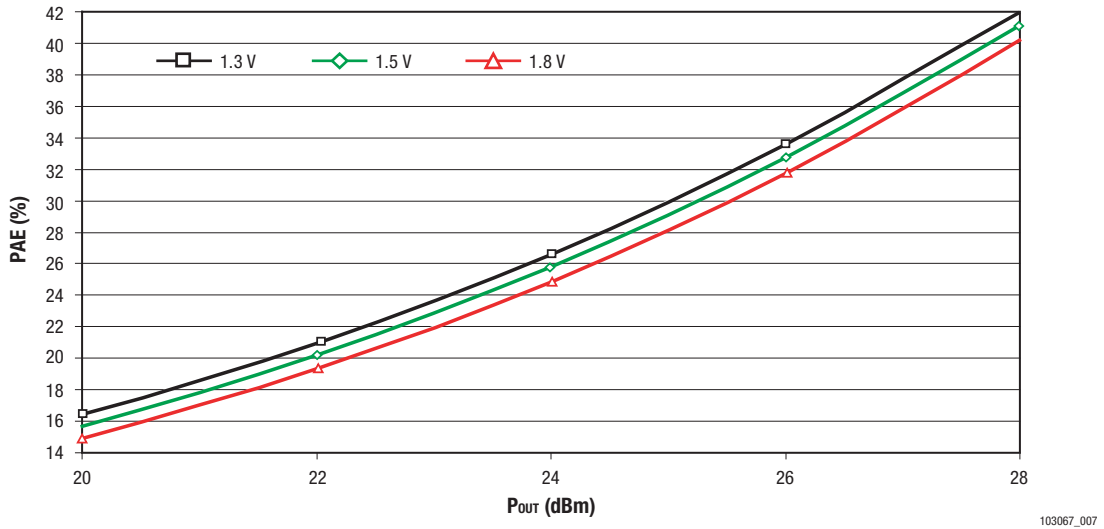
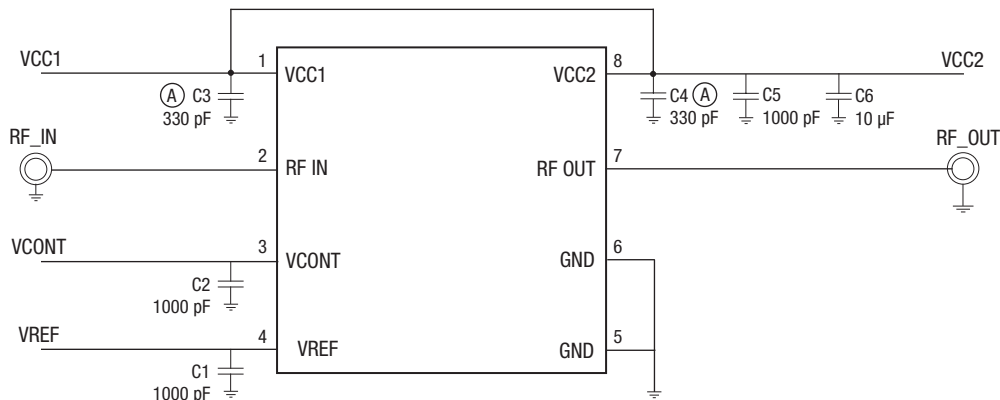


Figure 7. PAE vs. V<sub>cont</sub>

### Evaluation Board Description

The evaluation board is a platform for testing and interfacing design circuitry. To accommodate the interface testing of the SKY77154, the evaluation board schematic and evaluation board

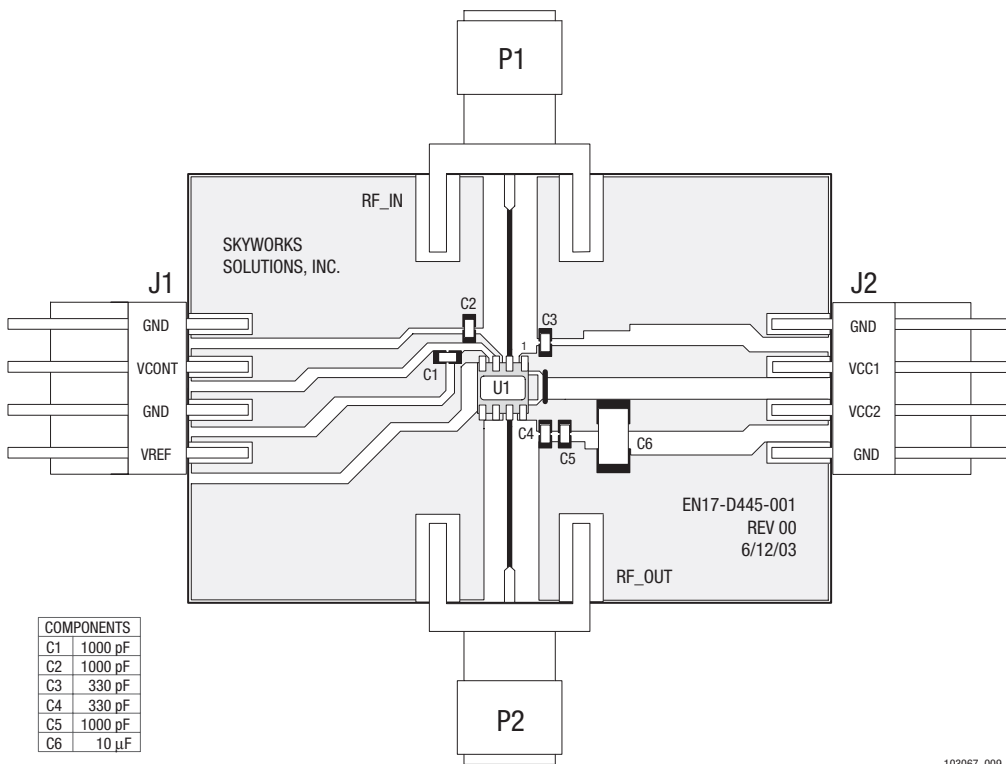
assembly diagram are included for preliminary analysis and design. **Figure 8** shows the basic schematic of the evaluation board for the 824 MHz to 849 MHz range.



**(A)** Place caps at closest proximity to PA module with the capacitor grounds directly connected to the PAM grounds.

103067\_008

**Figure 8. Evaluation Board Schematic**

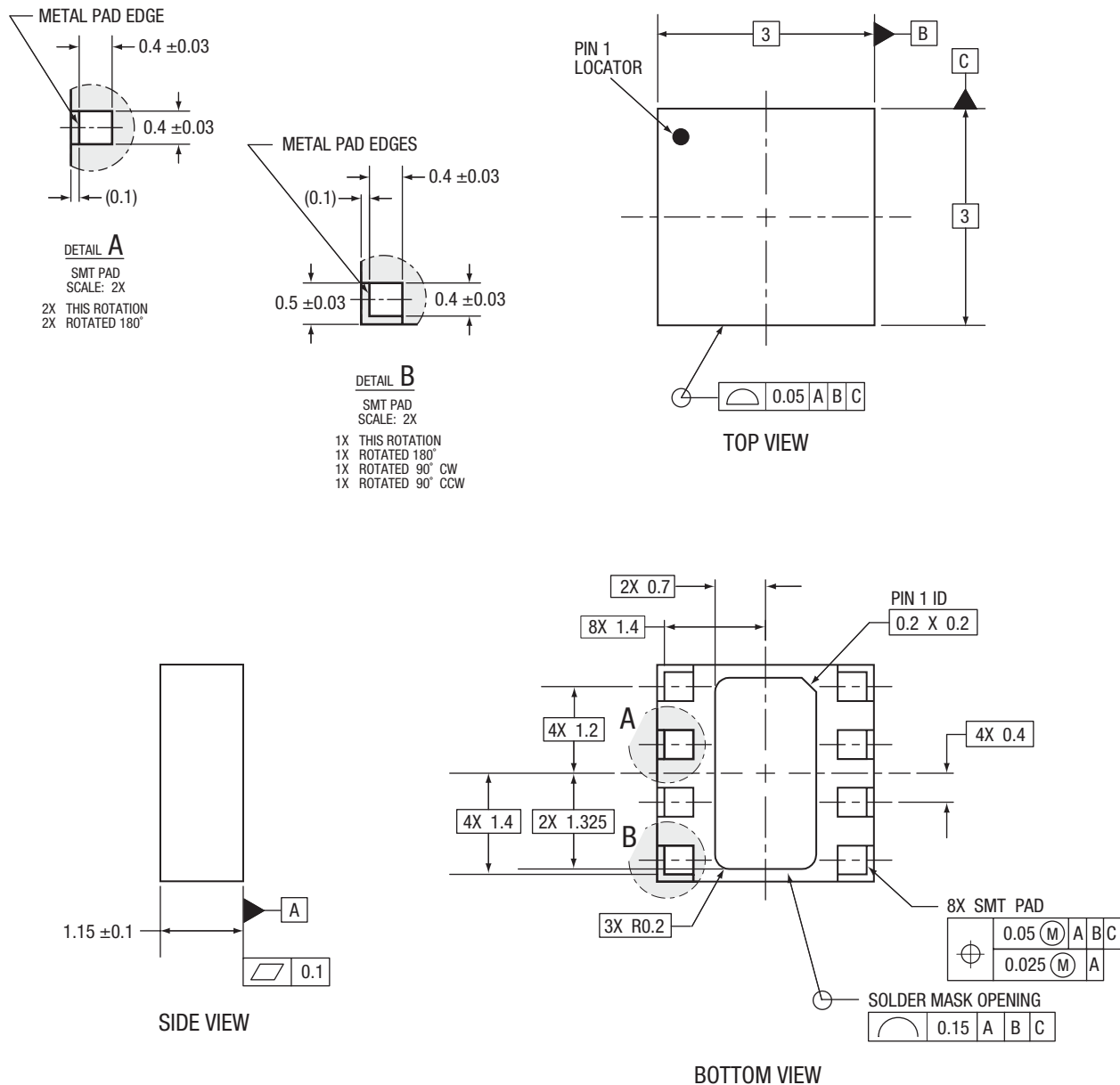


103067\_009

**Figure 9. Evaluation Board Assembly Diagram**

### Package Dimensions and Pin Descriptions

The SKY77154 is a multi-layer laminate base, overmold encapsulated modular package designed for surface mount solder attachment to a printed circuit board. Figure 10 is a mechanical drawing of the pad layout for this package. Figure 12 shows the pin names and the pin numbering convention, which starts with pin 1 in the upper left and increments counter-clockwise around the package. Figure 13 illustrates typical case markings.



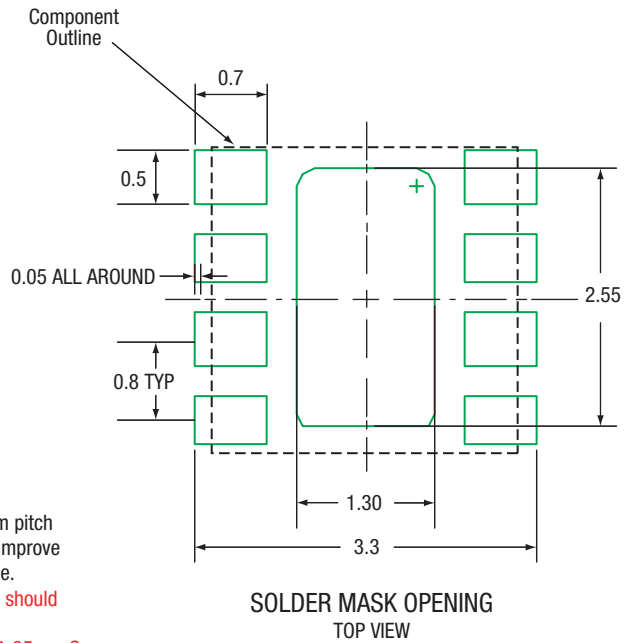
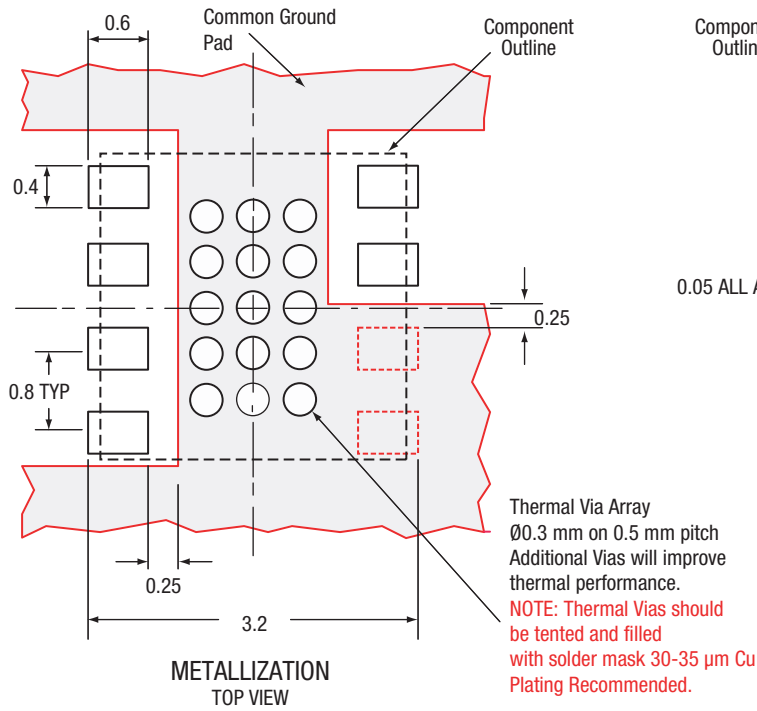
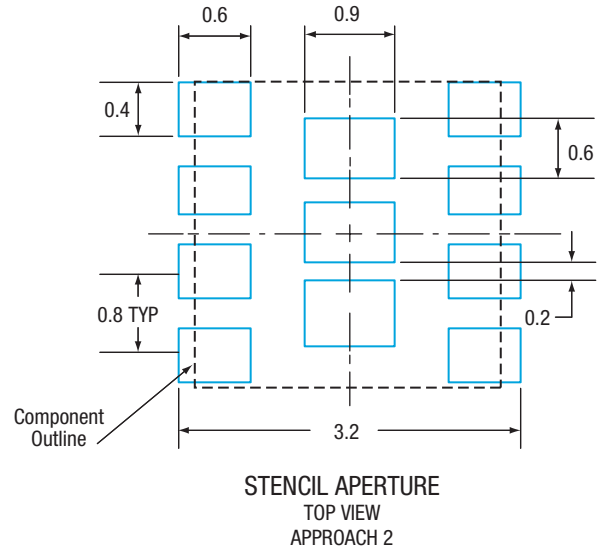
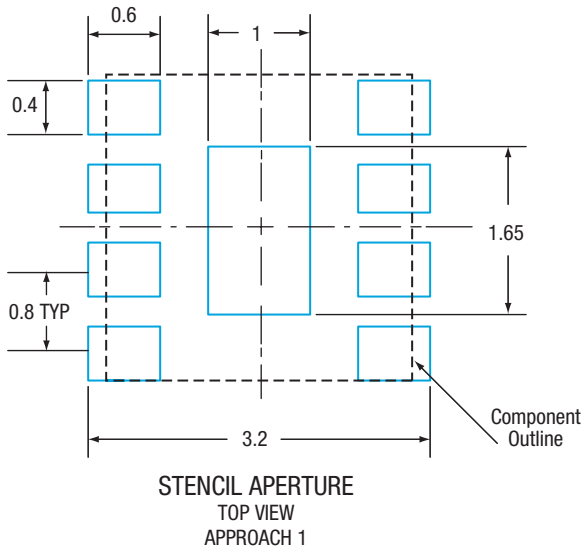
NOTES: Unless otherwise specified

1. DIMENSIONING AND TOLERANCES IN ACCORDANCE WITH ASME Y14.5M-1994.
2. SEE APPLICABLE BONDING DIAGRAM AND DEVICE ASSEMBLY DRAWING FOR DIE AND COMPONENT PLACEMENT.
3. PADS ARE SOLDER MASK DEFINED ON ALL INSIDE EDGES.
4. ALL DIMENSIONS ARE IN MILLIMETERS.

103067\_010

**Figure 10. SKY77154 Package Dimensional Drawing (All Views)**

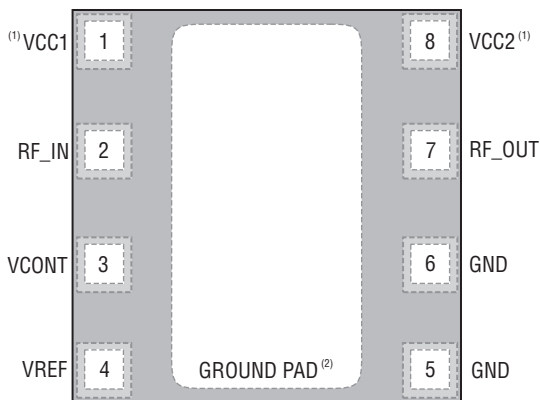




All dimensions are in millimeters.

101752\_022

Figure 11. Phone PCB Layout Footprint for 3 x 3 mm, 8-Pin Package – SKY77154



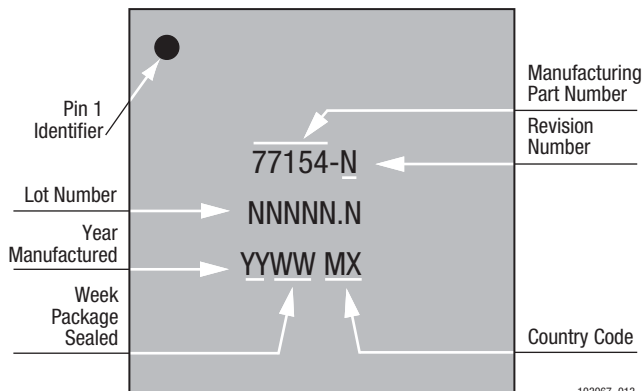
Pad layout as seen from top view looking through package.

<sup>(1)</sup> All supply pins may be connected together at the supply.

<sup>(2)</sup> Package underside is GROUND PAD.

103067\_012

**Figure 12. SKY77154 Pin Configuration and Pin Names (Top View)**



103067\_013

**Figure 13. Typical Case Markings**

**Package and Handling Information**

Because of its sensitivity to moisture absorption, this device package is baked and vacuum-packed prior to shipment. Instructions on the shipping container label must be followed regarding exposure to moisture after the container seal is broken, otherwise, problems related to moisture absorption may occur when the part is subjected to high temperature during solder assembly.

The SKY77154 is capable of withstanding an MSL3/250 °C solder reflow. Care must be taken when attaching this product, whether it is done manually or in a production solder reflow environment. If the part is attached in a reflow oven, the temperature ramp rate should not exceed 3 °C per second; maximum temperature should not exceed 250 °C. If the part is manually attached, precaution should be taken to insure that the part is not subjected to temperatures exceeding 250 °C for more than 10 seconds. For

details on both attachment techniques, precautions, and handling procedures recommended by Skyworks, please refer to Skyworks Application Note: *PCB Design and SMT Assembly/Rework*, Document Number 101752. Additional information on standard SMT reflow profiles can also be found in the *JEDEC Standard J-STD-020*.

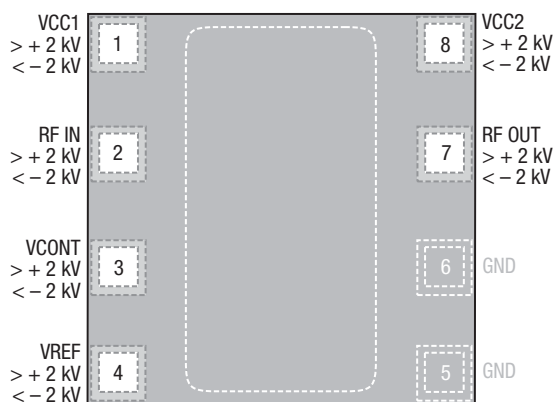
Production quantities of this product are shipped in the standard tape-and-reel format. For packaging details, refer to Skyworks Application Note: *Tape and Reel*, Document Number 101568.

**Electrostatic Discharge Sensitivity**

The SKY77154 is a Class 2 device. Figure 14 lists the Electrostatic Discharge (ESD) immunity level for each pin of the SKY77154 product. The numbers in Figure 14 specify the ESD threshold level for each pin where the I-V curve between the pin and ground starts to show degradation.

The ESD testing was performed in compliance with MIL-STD-883E Method 3015.7 using the Human Body Model. If ESD damage threshold magnitude is found to consistently exceed 2000 volts on a given pin, this so is indicated. If ESD damage threshold below 2000 volts is measured for either polarity, numbers are indicated that represent worst case values observed in product characterization.

Various failure criteria can be utilized when performing ESD testing. Many vendors employ relaxed ESD failure standards, which fail devices only after “the pin fails the electrical specification limits” or “the pin becomes completely non-functional”. Skyworks employs most stringent criteria and fails devices as soon as the pin begins to show any degradation on a curve tracer.



Pad layout as seen from top view looking through package.

103067\_014

**Figure 14. ESD Sensitivity Areas (Top View)**

To avoid ESD damage, both latent and visible, it is very important that the product assembly and test areas follow the Class-1 ESD

handling precautions listed below.

- Personnel Grounding
  - Wrist Straps
  - Conductive Smocks, Gloves and Finger Cots
  - Antistatic ID Badges
- Protective Workstation
  - Dissipative Table Top
  - Protective Test Equipment (Properly Grounded)
  - Grounded Tip Soldering Irons
  - Solder Conductive Suckers
  - Static Sensors
- Facility
  - Relative Humidity Control and Air Ionizers
  - Dissipative Floors (less than 109  $\Omega$  to GND)
- Protective Packaging and Transportation
  - Bags and Pouches (Faraday Shield)
  - Protective Tote Boxes (Conductive Static Shielding)
  - Protective Trays
  - Grounded Carts
  - Protective Work Order Holders

## Ordering Information

Model Number	Manufacturing Part Number	Product Revision	Package	Operating Temperature
SKY77154	SKY77154			-30 °C to +85 °C

## Revision History

Revision	Level	Date	Description
A		November 3, 2006	Initial Release

## References

Application Note: PCB Design and SMT Assembly/Rework, Document Number 101752.

Application Note: Tape and Reel – RF Modules, Document Number 101568

JEDEC Standard J-STD-020

Copyright © 2003–2006, Skyworks Solutions, Inc. All Rights Reserved.

Information in this document is provided in connection with Skyworks Solutions, Inc. ("Skyworks") products. These materials are provided by Skyworks as a service to its customers and may be used for informational purposes only by the customer. Skyworks assumes no responsibility for errors or omissions in these materials. Skyworks may make changes to its documentation, products, specifications and product descriptions at any time, without notice. Skyworks makes no commitment to update the information and shall have no responsibility whatsoever for conflicts, incompatibilities, or other difficulties arising from future changes to its documentation, products, specifications and product descriptions.

No license, express or implied, by estoppel or otherwise, to any intellectual property rights is granted by or under this document. Except as may be provided in Skyworks Terms and Conditions of Sale for such products, Skyworks assumes no liability whatsoever in association with its documentation, products, specifications and product descriptions.

THESE MATERIALS ARE PROVIDED "AS IS" WITHOUT WARRANTY OF ANY KIND, EITHER EXPRESS OR IMPLIED OR OTHERWISE, RELATING TO SALE AND/OR USE OF SKYWORKS PRODUCTS INCLUDING WARRANTIES RELATING TO FITNESS FOR A PARTICULAR PURPOSE, MERCHANTABILITY, PERFORMANCE, QUALITY OR NON-INFRINGEMENT OF ANY PATENT, COPYRIGHT OR OTHER INTELLECTUAL PROPERTY RIGHT. SKYWORKS FURTHER DOES NOT WARRANT THE ACCURACY OR COMPLETENESS OF THE INFORMATION, TEXT, GRAPHICS OR OTHER ITEMS CONTAINED WITHIN THESE MATERIALS. SKYWORKS SHALL NOT BE LIABLE FOR ANY DAMAGES, INCLUDING SPECIAL, INDIRECT, INCIDENTAL, OR CONSEQUENTIAL DAMAGES, INCLUDING WITHOUT LIMITATION, LOST REVENUES OR LOST PROFITS THAT MAY RESULT FROM THE USE OF THESE MATERIALS WHETHER OR NOT THE RECIPIENT OF MATERIALS HAS BEEN ADVISED OF THE POSSIBILITY OF SUCH DAMAGE.

Skyworks products are not intended for use in medical, lifesaving or life-sustaining applications. Skyworks customers using or selling Skyworks products for use in such applications do so at their own risk and agree to fully indemnify Skyworks for any damages resulting from such improper use or sale.

The following are trademarks of Skyworks Solutions, Inc.: Skyworks®, the Skyworks logo, and Breakthrough Simplicity®. Product names or services listed in this publication are for identification purposes only, and may be trademarks of Skyworks or other third parties. Third-party brands and names are the property of their respective owners. Additional information, posted at [www.skyworksinc.com](http://www.skyworksinc.com), is incorporated by reference.