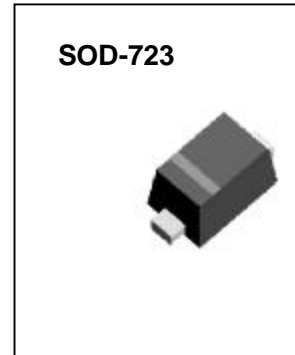




SOD-723 Plastic-Encapsulate Diodes

CH751G-40 Schottky barrier Diodes



FEATURES

- I Small surface mounting type
- I Low reverse current and low forward voltage
- I High reliability

Maximum Ratings and Electrical Characteristics, Single Diode @T_A=25°C

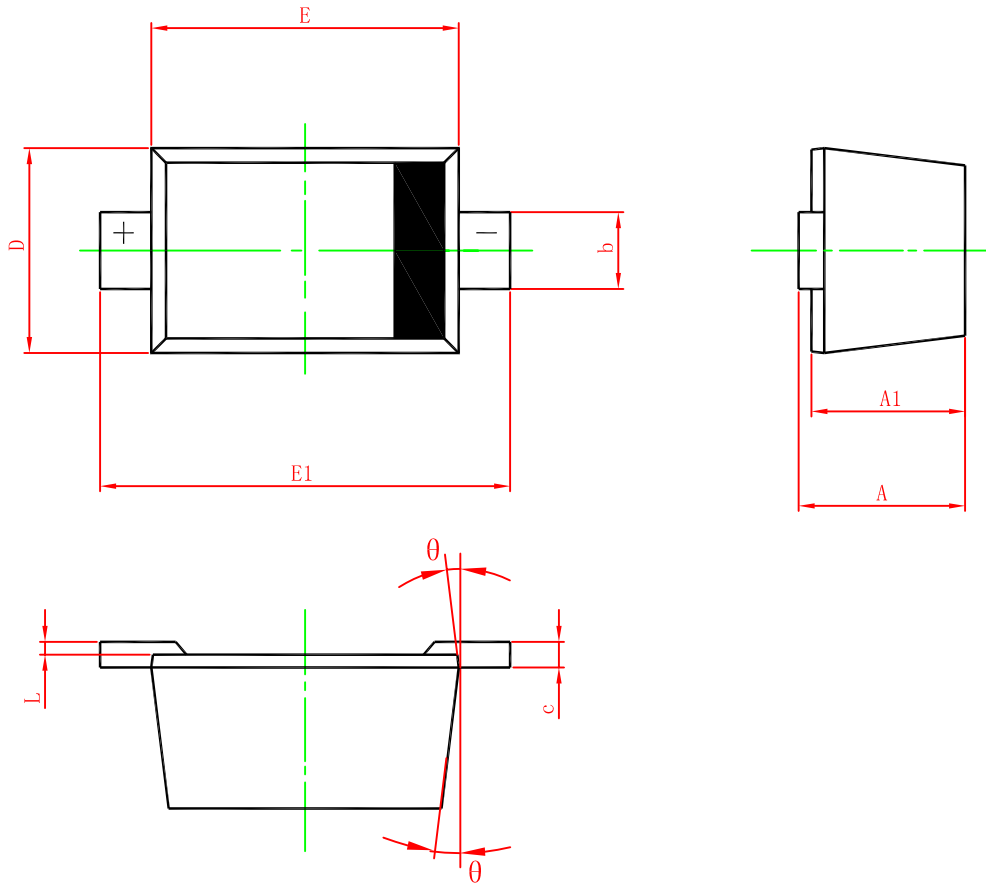
Parameter	Symbol	Limits	Unit
Peak reverse voltage	V _{RM}	40	V
DC reverse voltage	V _R	30	V
Mean rectifying current	I _O	30	mA
Peak forward surge current	I _{FSM}	200	mA
Junction temperature	T _j	+125	°C
Storage temperature	T _{stg}	-40~+125	°C

Electrical Ratings @T_A=25°C

Parameter	Symbol	Min.	Typ.	Max.	Unit	Conditions
Forward voltage	V _F			0.37	V	I _F =1mA
Reverse current	I _R			0.5	μA	V _R =30V
Capacitance between terminals	C _T		2		pF	V _R =1V,f=1MHZ



SOD-723 PACKAGE OUTLINE DIMENSIONS



Symbol	Dimensions In Millimeters		Dimensions In Inches	
	Min	Max	Min	Max
A	0.585 REF		0.023 REF	
A1	0.530	0.572	0.021	0.023
b	0.250	0.350	0.010	0.014
c	0.070	0.130	0.003	0.005
D	0.550	0.650	0.022	0.026
E	0.900	1.100	0.035	0.043
E1	1.300	1.500	0.051	0.059
L	0.030	0.070	0.001	0.003
θ	7° REF		7° REF	