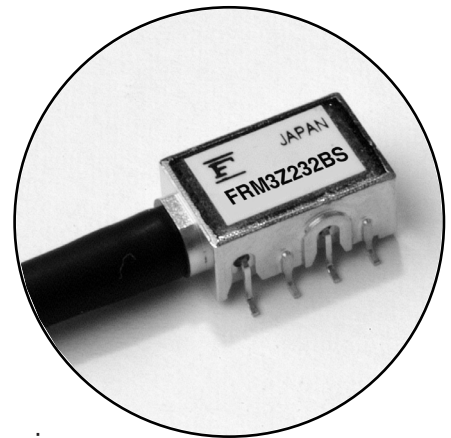


InGaAs-PIN/Preamp Receiver FRM3Z232BS/BS-A

FEATURES

- 2.7Gb/s PIN Receiver module in an industry standard mini-DIL package is available in gull-wing or through-hole configuration
- High Sensitivity: -25dBm (typ.)
- Differential Electrical Output
- Pre-amplifier Power Supply Voltage: +3.3V
- Wide operating temperature range: -40 to +85°C



APPLICATIONS

This PIN detector preamp is intended to function as an optical receiver in intermediate reach SONET, SDH, and DWDM systems operating up to 2.7Gb/s. The device operates in both the 1,310 and 1,550nm wavelength windows. The detector preamplifier has a differential electrical output.

DESCRIPTION

This PIN preamplifier uses an InGaAs PIN chip with a GaAs transimpedance preamplifier. The BS package is designed for surface mount PC board assembly, and the BS-A is designed for through-hole mount assembly. The package is connected with a single-mode fiber by Nd: YAG welding techniques. This device is in compliance with ITU-T recommendations and meet the Telcordia requirements.

ABSOLUTE MAXIMUM RATINGS (T_C=25°C, unless otherwise specified)

Parameter	Symbol	Ratings	Unit
Storage Temperature	T _{stg}	-40 to +85	°C
Operating Temperature	T _{op}	-40 to +85	°C
Supply Voltage	V _{DD}	0 to 4.5	V
PIN-PD Reverse Voltage	V _R	0 to 20	V
PIN-PD Reverse Current	I _R (Peak)	3.0	mA

OPTICAL & ELECTRICAL CHARACTERISTICS

(T_C=25°C, λ=1,550nm, V_R=+3.3V or +5.0V, V_{DD}=+3.3V unless otherwise specified)

Parameter	Symbol	Test Conditions	Limits			Unit	
			Min.	Typ.	Max.		
PIN-PD Responsivity	R13	λ = 1,310nm, M=1	0.75	0.80	-	A/W	
	R15	λ = 1,550nm, M=1	0.80	0.85	-		
	R16	λ = 1,610nm, M=1	-	0.70	-		
AC Transimpedance	Z _t	Pin=-20dBm, f=100MHz, Single-ended	1800	2200	2600	Ω	
Bandwidth	BW	Pin=-20dBm, -3dB from 1MHz	2.2	2.4	-	GHz	
Lower Cut-off Frequency	f _{cl}		-	50	75	kHz	
Peaking	d _{pk}	Pin=-20dBm, from 1 MHz	-	-	2	dB	
Group Delay Deviation	GD	Pin=-20dBm, from 500MHz to 1.75GHz	-	100	-	psec	
Output Return Loss	S22	1.75GHz max.	10	-	-	dB	
		2.5GHz max.	5	-	-		
Equivalent Input Noise Current Density	i _n	Average within 2.2GHz	-	9.5	11.0	pA/√Hz	
Sensitivity	P _r	(Note 3)	Ta=25°C, Rext=14dB	-	-25	-24	dBm
			Ta=40°C ~ 85°C, Rext=14dB	-	-24	-22	
			Ta=25°C, Rext=10dB	-	-24	-	
Maximum Overload	P _{max}	2.488Gb/s, NRZ, PRBS=2 ²³ -1, B.E.R.=10 ⁻¹⁰	0	-	-	dBm	
		(Note 2)	-3	-	-		
Maximum Output Voltage Swing	V _{clip}	Saturated Output Voltage	450	550	800	mV	
Optical Return Loss	ORL		30	-	-	dB	
Power Supply Current	I _{DD}		-	45	70	mA	
Power Supply Voltage	V _{DD}		3.15	3.30	3.45	V	

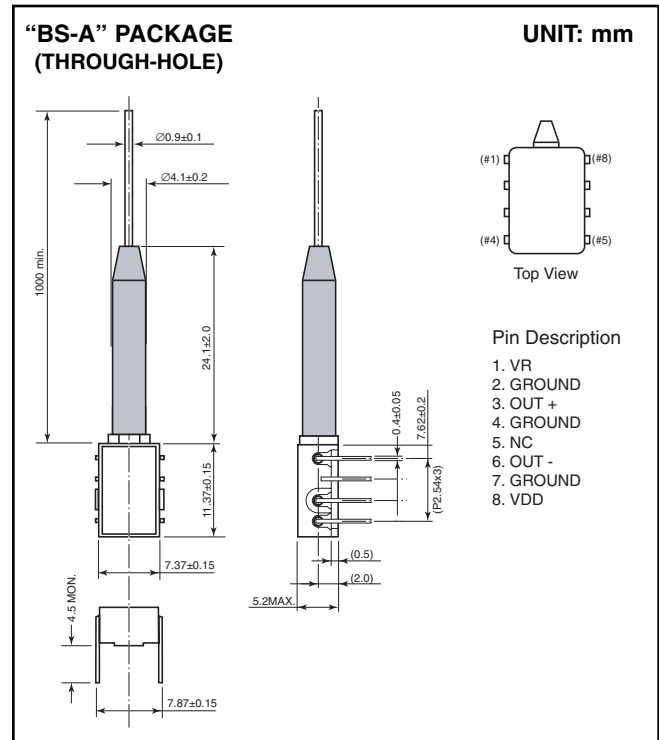
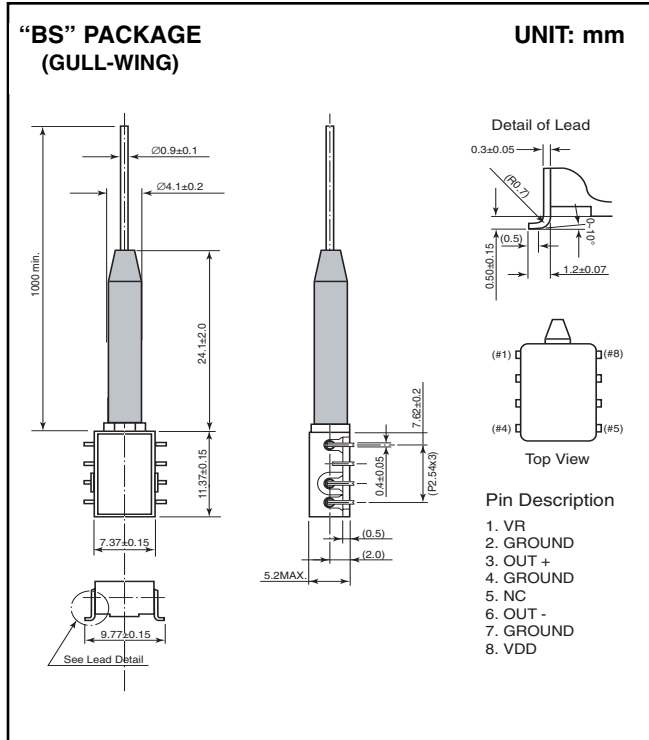
Note 1: All the parameters are measured with 50Ω AC-coupled.

Note 2: Defined by a 10% distortion of the wave form.

Note 3: Test condition is 2.488Gb/s, NRZ, PRBS=2²³-1, B.E.R.=10⁻¹⁰ with f_c=1866MHz Bessel filter.

InGaAs-PIN/Preamp _____ FRM3Z232BS/BS-A
Receiver

Notes



For further information please contact:

FUJITSU COMPOUND SEMICONDUCTOR, INC.
 2355 Zanker Rd.
 San Jose, CA 95131-1138, U.S.A.
 Phone: (408) 232-9500
 FAX: (408) 428-9111
www.fcsi.fujitsu.com

FUJITSU QUANTUM DEVICES EUROPE LTD.
 Network House
 Norreys Drive
 Maidenhead, Berkshire SL6 4FJ
 United Kingdom
 TEL: +44 (0) 1628 504800
 FAX: +44 (0) 1628 504888

FUJITSU QUANTUM DEVICES SINGAPORE PTE LTD.
Hong Kong Branch
 Rm. 1101, Ocean Centre, 5 Canton Rd. Tsim Sha Tsui,
 Kowloon, Hong Kong
 TEL: +852-23770226
 FAX: +852-23763269

CAUTION

Fujitsu Compound Semiconductor Products contain **gallium arsenide (GaAs)** which can be hazardous to the human body and the environment. For safety, observe the following procedures:

- Do not put this product into the mouth.
- Do not alter the form of this product into a gas, powder, or liquid through burning, crushing, or chemical processing as these by-products are dangerous to the human body if inhaled, ingested, or swallowed.
- Observe government laws and company regulations when discarding this product. This product must be discarded in accordance with methods specified by applicable hazardous waste procedures.

FUJITSU QUANTUM DEVICES LIMITED
 Business Development Division
 11th Floor, Hachioji Daiichi-Seimei Bldg.
 3-20-6 Myojin-cho
 Hachioji-city, Tokyo 192-0046, Japan
 TEL: +81-426-43-5885
 FAX: +81-426-43-5582

Fujitsu Limited reserves the right to change products and specifications without notice. The information does not convey any license under rights of Fujitsu Limited or others.

© 2002 FUJITSU COMPOUND SEMICONDUCTOR, INC.
 Printed in U.S.A. FCSI0302M200

