

Descriptions

- General small signal amplifier
- Switching application

Features

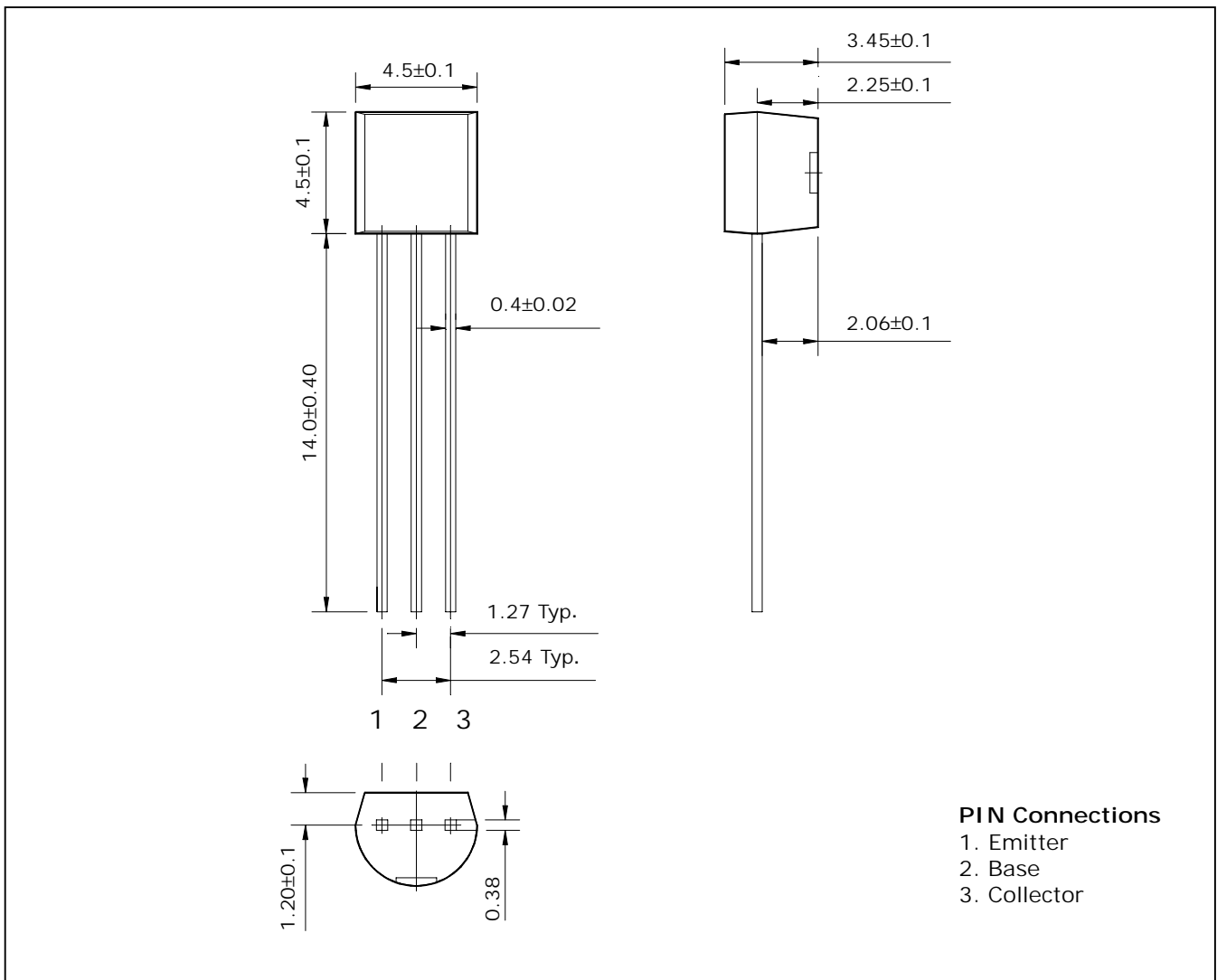
- Collector saturation voltage : $V_{CE(sat)} = -0.5V(\text{Max.})$
- Low output capacitance : $C_{ob} = 4.5pF(\text{Max.})$
- Complementary pair with STN3904

Ordering Information

Type NO.	Marking	Package Code
STN3906	STN3906	TO-92

Outline Dimensions

unit : mm



PIN Connections

1. Emitter
2. Base
3. Collector

Absolute maximum ratings

(Ta=25°C)

Characteristic	Symbol	Ratings	Unit
Collector-Base voltage	V_{CBO}	-40	V
Collector-Emitter voltage	V_{CEO}	-40	V
Emitter-Base voltage	V_{EBO}	-5	V
Collector current	I_C	-100	mA
Collector dissipation	P_C	625	mW
Junction temperature	T_J	150	°C
Storage temperature	T_{stg}	-55 ~ 150	°C

Electrical Characteristics

(Ta=25°C)

Characteristic	Symbol	Test Condition	Min.	Typ.	Max.	Unit
Collector-Emitter breakdown voltage	BV_{CEO}	$I_C = -1\text{mA}$	-40	-	-	V
Collector-Base breakdown voltage	BV_{CBO}	$I_C = -10\mu\text{A}$	-40	-	-	V
Emitter-Base breakdown voltage	BV_{EBO}	$I_E = -10\mu\text{A}$	-5	-	-	V
Collector cut-off current	I_{CBO}	$V_{CB} = -40\text{V}, I_E = 0$	-	-	-0.1	μA
DC current gain	h_{FE}	$V_{CE} = -1\text{V}, I_C = -10\text{mA}$	100	-	300	-
Collector-Emitter saturation voltage	$V_{CE(sat)}$	$I_C = -50\text{mA}, I_B = -5\text{mA}$	-	-	-0.5	V
Transition frequency	f_T	$V_{CE} = -20\text{V}, I_C = -10\text{mA}$	250	-	-	MHz
Collector output capacitance	C_{ob}	$V_{CB} = -5\text{V}, I_E = 0, f = 1\text{MHz}$	-	-	4.5	pF

Electrical Characteristic Curves

Fig. 1 P_C - T_a

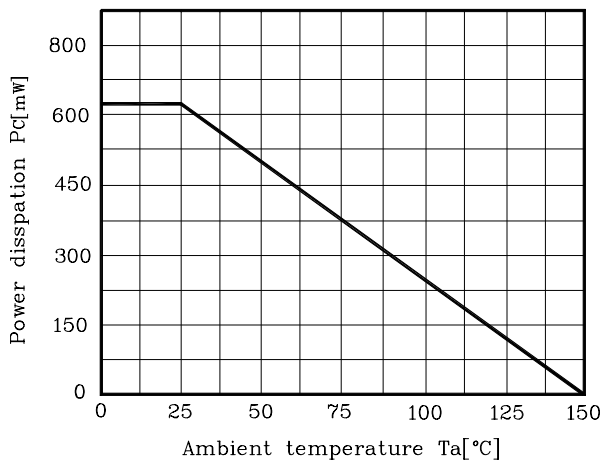


Fig. 2 I_C - V_{BE}

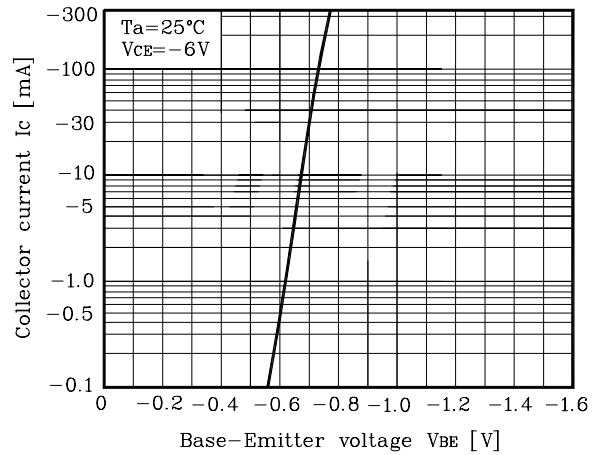


Fig. 3 h_{FE} - I_C

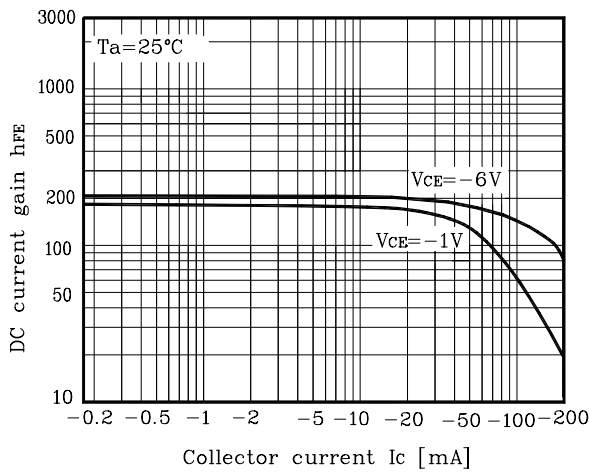


Fig. 4 I_C - V_{CE}

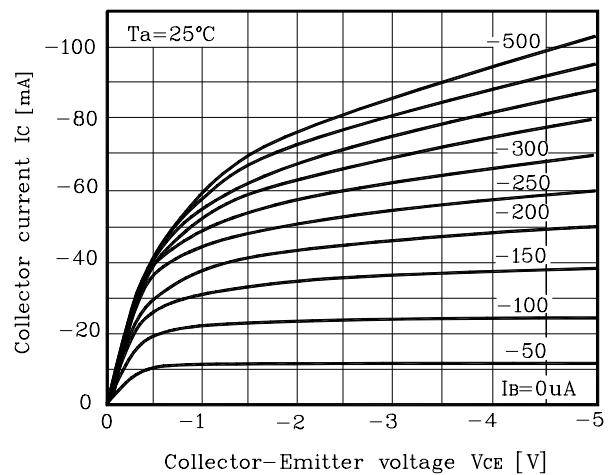


Fig. 5 $V_{CE(sat)}$ - I_C

