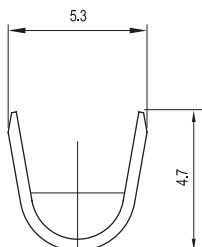
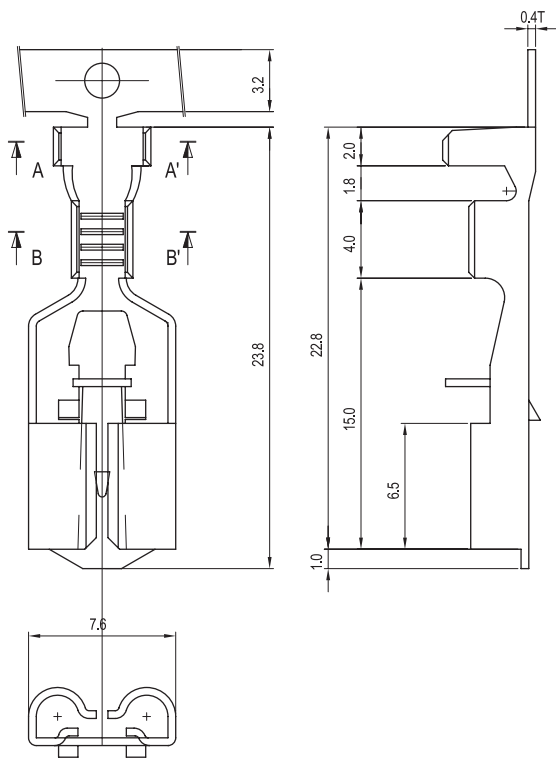
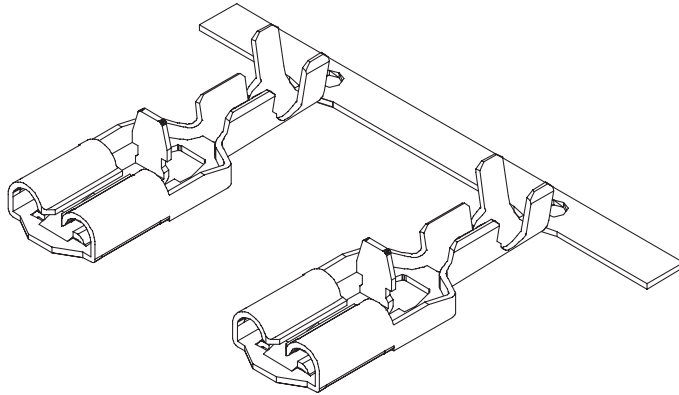


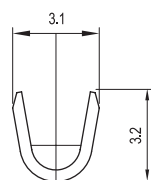
OTHER

**P-Lock Connector
Crimp Terminal**

YRT250



SECTION A-A'



SECTION B-B'

Material

I/NO	DESCRIPTION	TITLE	AWG	MATERIAL	FINISH
1	TERMINAL	YRT250M	#18-#14	Brass	Tin-Plated

Specification

ITEM	SPEC
Voltage Rating	AC/DC 250V
Current Rating	AC/DC 3A
Operating Temperature	-25℃~+85℃
Contact Resistance	30mΩ MAX
Withstanding Voltage	-
Insulation Resistance	-
Applicable Wire	AWG #14~#18
Applicable P.C.B	-
Applicable FPC/FFC	-
Solder Height	-
Crimp Tensile Strength	AWG #14 : 4.0kgfMIN AWG #16 : 3.0kgfMIN AWG #18 : 2.0kgfMIN
UL FILE NO	-

Application Tab

HOLE	WIDTH	THICKNESS
ø 1.65	6.35mm	0.5~1.2mm