

# INTEGRATED CONNECTOR MODULES

## 0816-1X2T-23 Gigabit Ethernet MagJack® 1 x 2



### ELECTRICAL CHARACTERISTICS @ 25°C

#### URNS RATIO

TP1	1CT : 1CT ±2%
TP2	1CT : 1CT ±2%
TP3	1CT : 1CT ±2%
TP4	1CT : 1CT ±2%

#### DCL @ 100kHz/100mVRMS

8mA DC BIAS	350µH MIN.
-------------	------------

#### INS. LOSS

0.1MHz TO 1MHz	-1.1 dB MAX
1MHz TO 65MHz	-0.5 dB MAX
65MHz TO 100MHz	-0.8 dB MAX
100MHz TO 125MHz	-1.2 dB MAX

#### RET. LOSS (MIN)

0.5MHz-40MHz	-18 dB
40MHz-100MHz	-12+20LOG<F/80MHz> dB

#### CM TO CM REJ

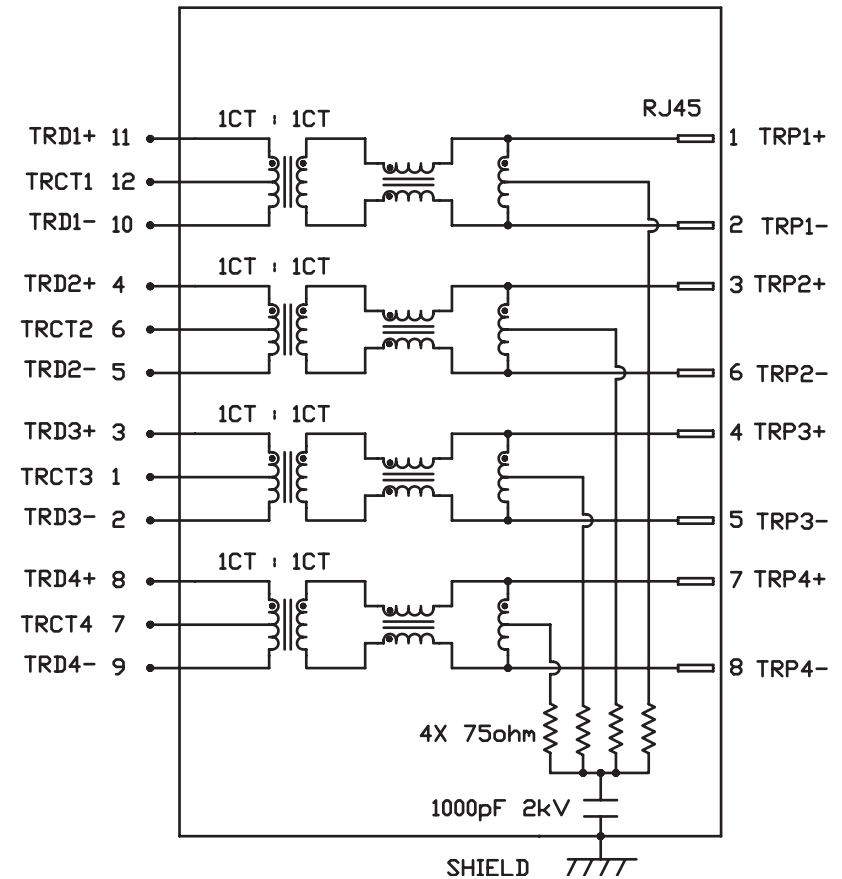
100kHz - 100MHz	-30 dB MIN
-----------------	------------

#### CM TO DM REJ

100kHz - 100MHz	-35 dB MIN
-----------------	------------

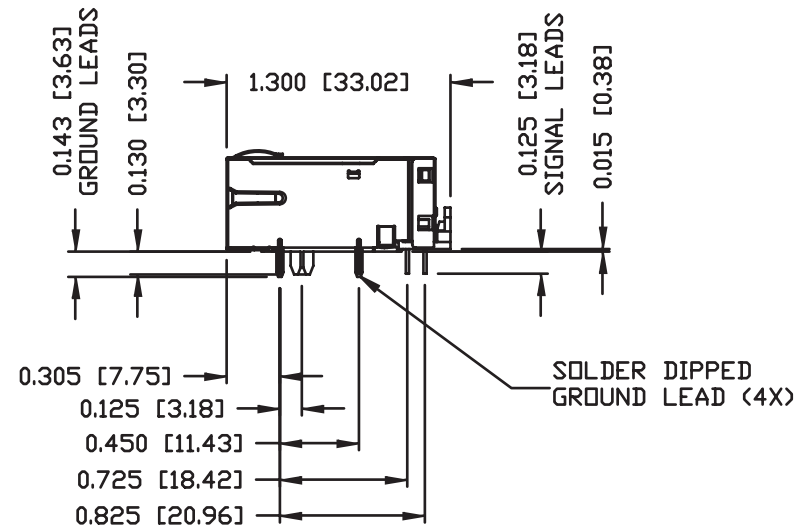
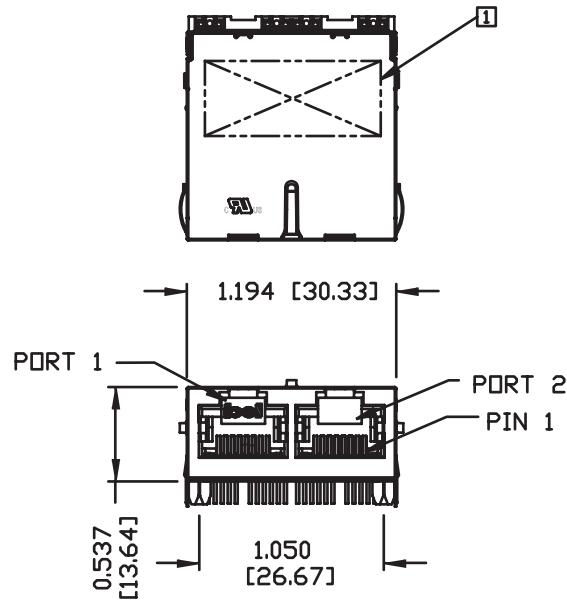
#### HIPOT (Isolation Voltage)

1500 Vrms



# INTEGRATED CONNECTOR MODULES

0816-1X2T-23 Gigabit Ethernet MagJack® 1 x 2



**NOTES:**

PLASTIC HOUSING: THERMOPLASTIC PBT  
 FLAMMABILITY RATING UL 94V-0  
 CONTACTS PLATING: 30 MICRO-INCH HARD GOLD PLATING  
 PINS: TIN-COATED COPPER WIRE, DIA 0.018 INCH.  
 METAL SHIELD: NICKEL PLATED ON COPPER ALLOY.  
 (ALL GROUND LEADS ARE SOLDER DIPPED)

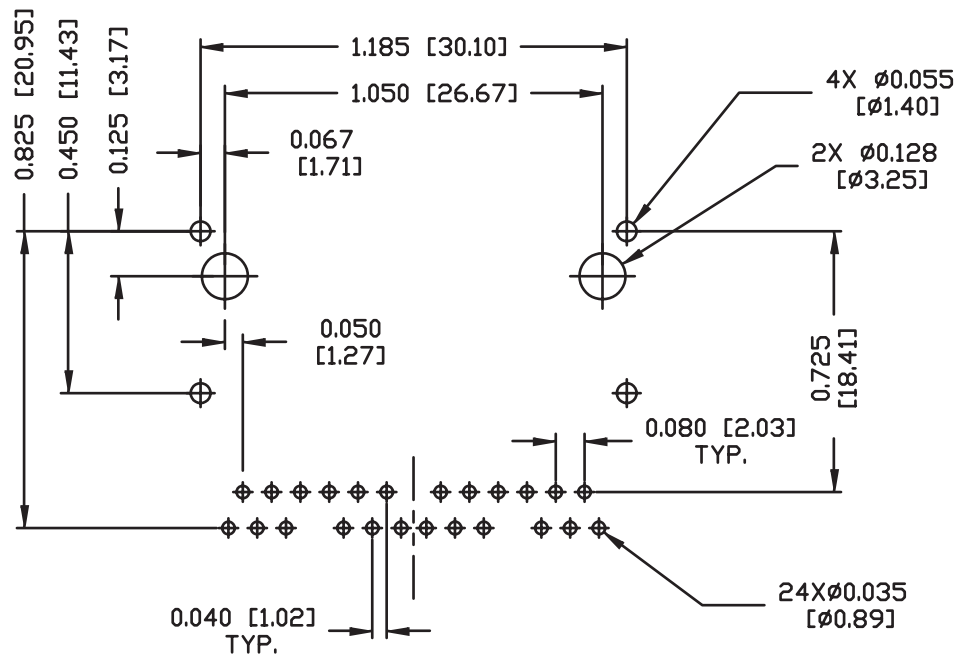
☐ MARK PART WITH MFG LOGO, PART NUMBER, DATE CODE AND MFG NAME.

UL US UL RECOGNIZED - FILE #E196366 AND E169987.

RoHS COMPLIANCE, PER EU DIRECTIVE 2002/95/EC

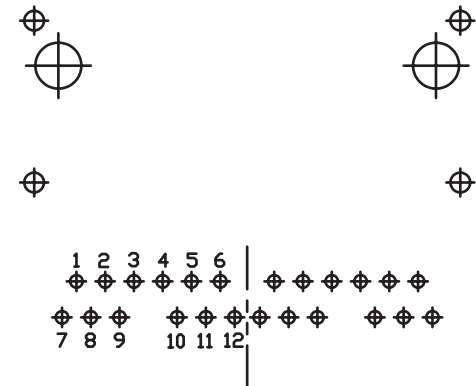
# INTEGRATED CONNECTOR MODULES

0816-1X2T-23 Gigabit Ethernet MagJack® 1 x 2



RECOMMENDED PCB FOOTPRINT

COMPONENT SIDE VIEW



PORT ASSIGNMENT

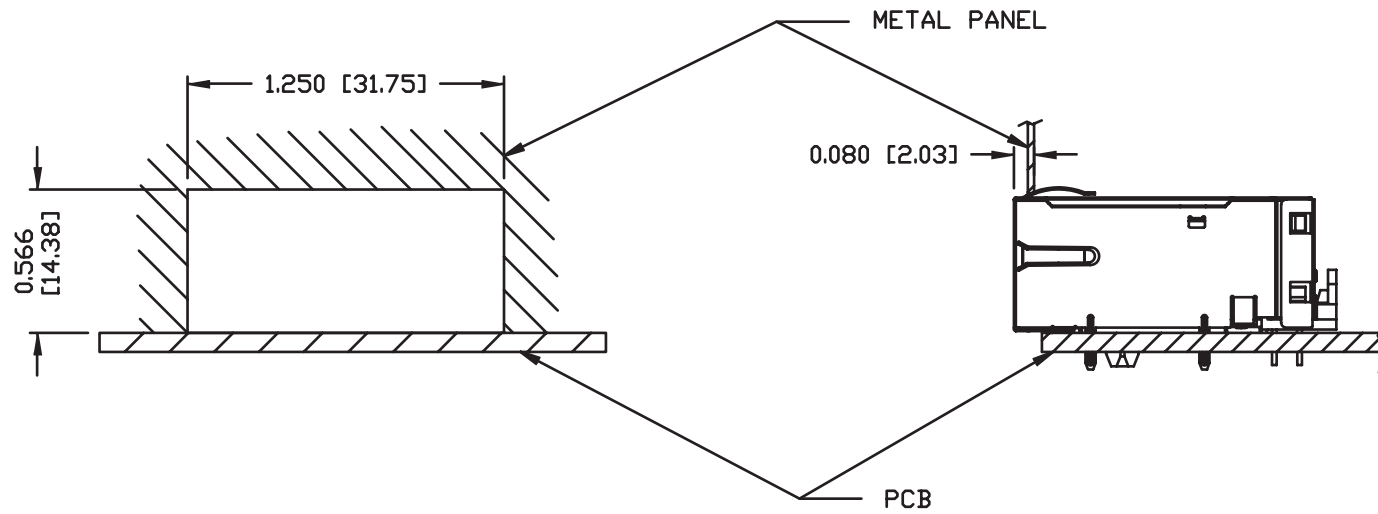
(COMPONENT SIDE VIEW)

## INTEGRATED CONNECTOR MODULES

0816-1X2T-23 Gigabit Ethernet MagJack® 1 x 2



### SUGGESTED PANEL OPENING



#### NOTES:

THE DISTANCE OF PANEL INSIDE SURFACE RELATIVE TO FRONT SURFACE OF PART IS ONLY A SUGGESTION. IN CASE THIS DISTANCE IS DIFFERENT, THE REQUIRED PANEL OPENING DIMENSIONS CHANGE ACCORDINGLY.

#### PACKING INFORMATION

PACKING TRAY: 0200-9999-I1 (TOP)  
0200-9999-I2 (BOTTOM)

PACKING QUANTITY: 49 PCS FINISHED GOODS PER TRAY  
8 TRAYS (392 PCS FINISHED GOODS) PER CARTON BOX.

NOTE: CARDBOARD ARE PLACED BETWEEN LAYERS OF PACKING TRAY INSIDE CARTON BOX.  
(INCLUDE THE UPPERMOST AND LOWEREST TRAY)