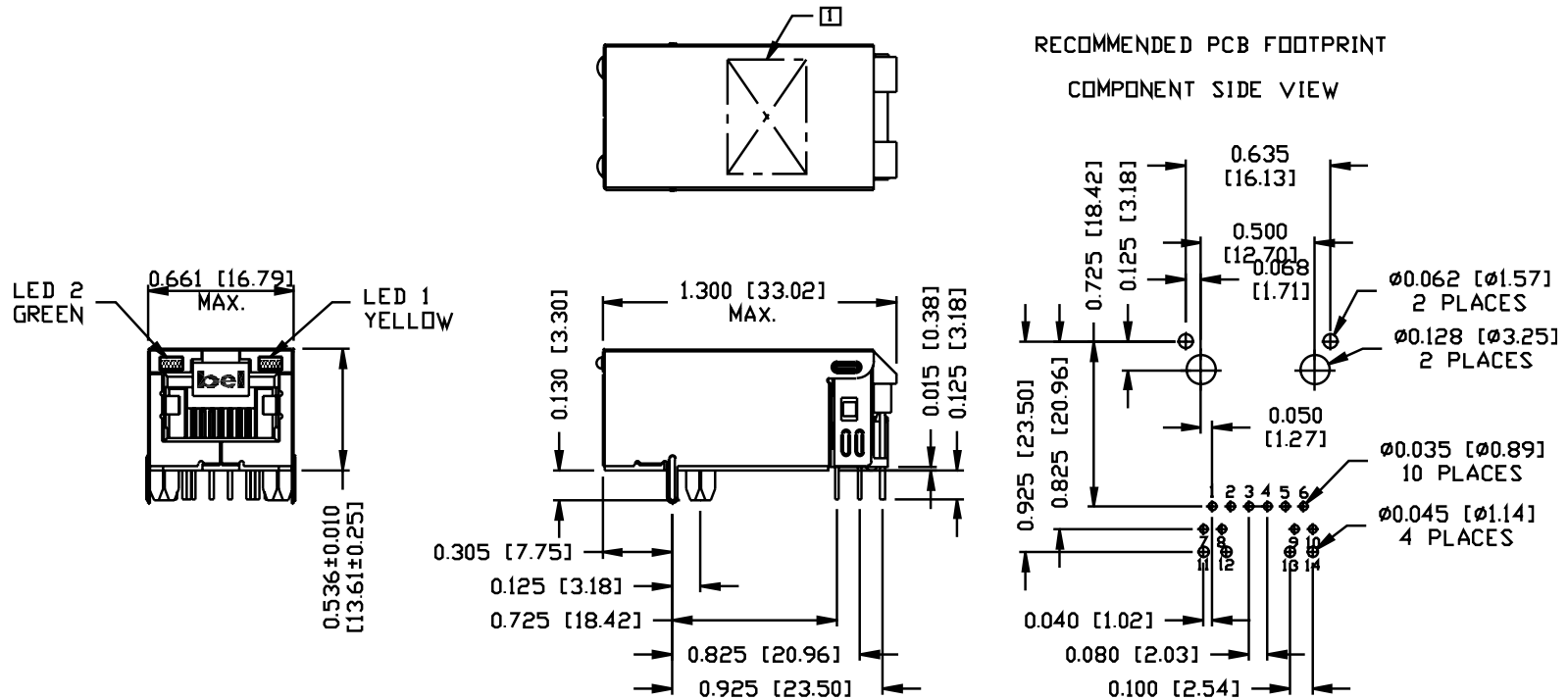


INTEGRATED CONNECTOR MODULES

0826-1AX1-47 10/100Base-TX Single Port MagJack® with LEDs

MECHANICAL SPECIFICATION



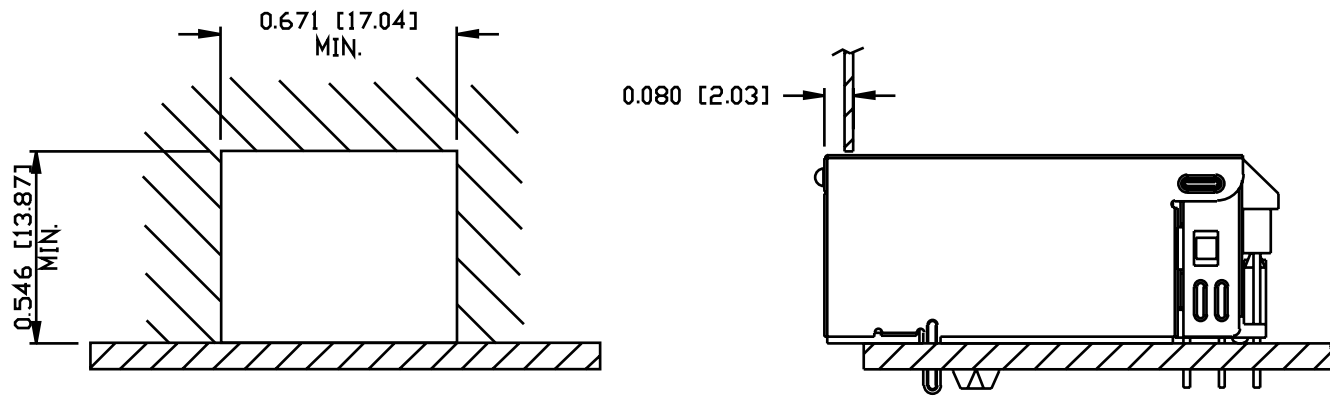
NOTES:

- PLASTIC HOUSING: THERMOPLASTIC PA 4/6
FLAMMABILITY RATING UL 94V-0
- CONTACTS: 50 MICRO-INCH HARD GOLD PLATING
- OUTPUT PINS: TIN-COATED COPPER WIRE, DIA 0.018 INCH.
- SOLDERABILITY: PER MIL STD. 202, METHOD 208.
- METAL SHIELD: TIN/LEAD PLATED ON COPPER ALLOY.

1. MARK PART WITH MFG LOGO, MFG NAME, PART NUMBER, AND DATE CODE.

INTEGRATED CONNECTOR MODULES
0826-1AX1-47 10/100Base-TX Single Port MagJack® with LEDs

SUGGESTED PANEL OPENING



PACKING INFORMATION

PACKING TRAY : 0200-0148-24 (TOP)
 0200-0148-25 (BOTTOM)

PACKING QUANTITY : 40 PCS FINISHED GOODS PER TRAY
 10 TRAY (400 PCS FINISHED GOODS) PER CARTON BOX

NOTE : CARDBOARDS ARE PLACED BETWEEN LAYERS OF PACKING TRAY INSIDE CARTON BOX
 (INCLUDE THE UPPERMOST AND LOWERMOST TRAY)