

INTEGRATED CONNECTOR MODULES

0833-2X1T-33 Gigabit Ethernet MagJack® 2 x 1

ELECTRICAL CHARACTERISTICS @ 25°C

URNS RATIO

TP1	1CT : 1CT ±2%
TP2	1CT : 1CT ±2%
TP3	1CT : 1CT ±2%
TP4	1CT : 1CT ±2%

DCL @ 100kHz/100mVRMS

8mA DC BIAS	350µH MIN.
-------------	------------

INS. LOSS

0.1MHz TO 1MHz	-1.1 dB MAX
1MHz TO 65MHz	-0.5 dB MAX
65MHz TO 100MHz	-0.8 dB MAX
100MHz TO 125MHz	-1.2 dB MAX

RET. LOSS (MIN)

0.5MHz-40MHz	-18 dB
40MHz-100MHz	-12+20LOG(f/80MHz) dB

CM TO CM REJ

100kHz - 100MHz	-30 dB MIN
-----------------	------------

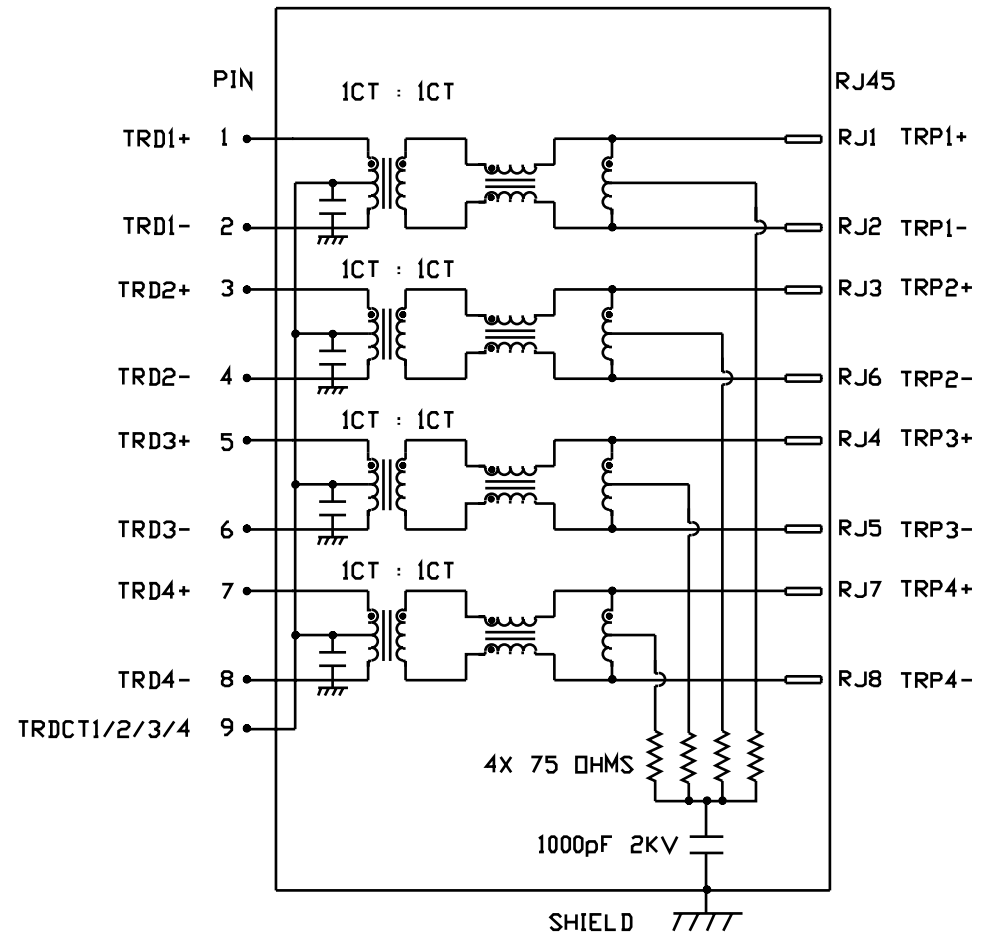
CM TO DM REJ

100kHz - 100MHz	-35 dB MIN
-----------------	------------

HIPOT (Isolation Voltage): 1500 Vrms

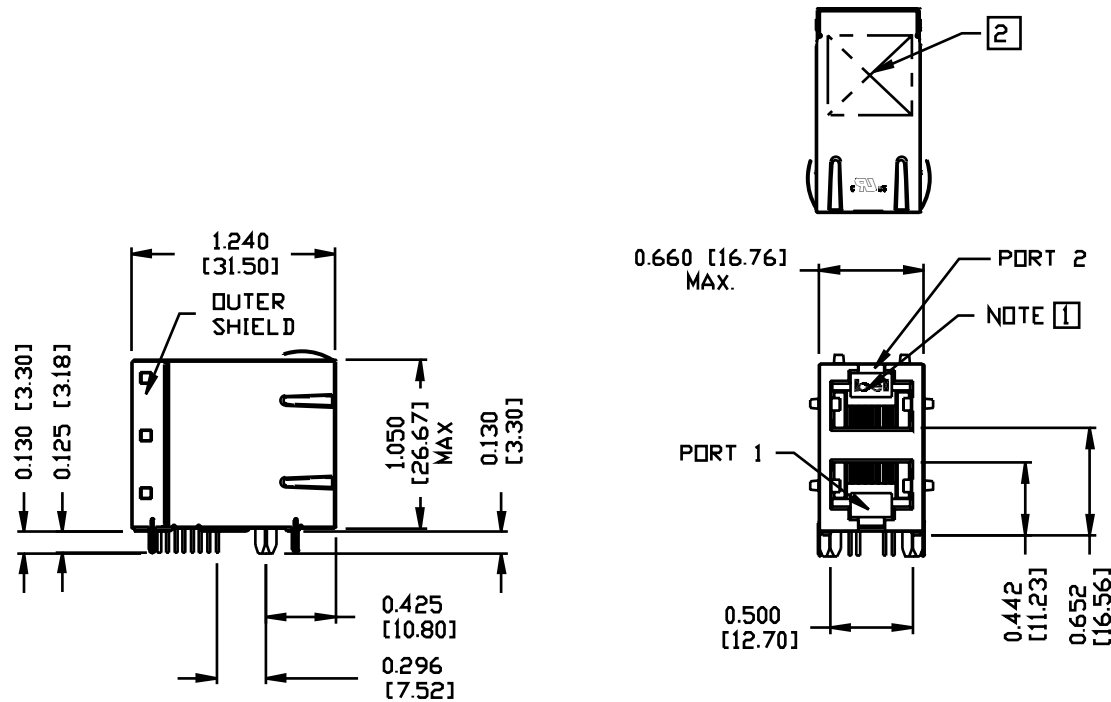
NOTES:

SCHEMATIC & ELECTRICAL CHARACTERISTICS ARE IDENTICAL FOR PORT 1 & PORT 2.



INTEGRATED CONNECTOR MODULES

0833-2X1T-33 Gigabit Ethernet MagJack® 2 x 1



NOTES:

- PLASTIC HOUSING: THERMOPLASTIC PBT
FLAMMABILITY RATING UL 94V-0
- CONTACT PLATING: 50 MICRO-INCH HARD GOLD PLATING
- OUTPUT PINS: TIN-COATED COPPER WIRE, DIA 0.018 INCH.
- SOLDERABILITY: PER MIL STD. 202, METHOD 208.
- METAL SHIELD: TIN/LEAD PLATED COPPER ALLOY.

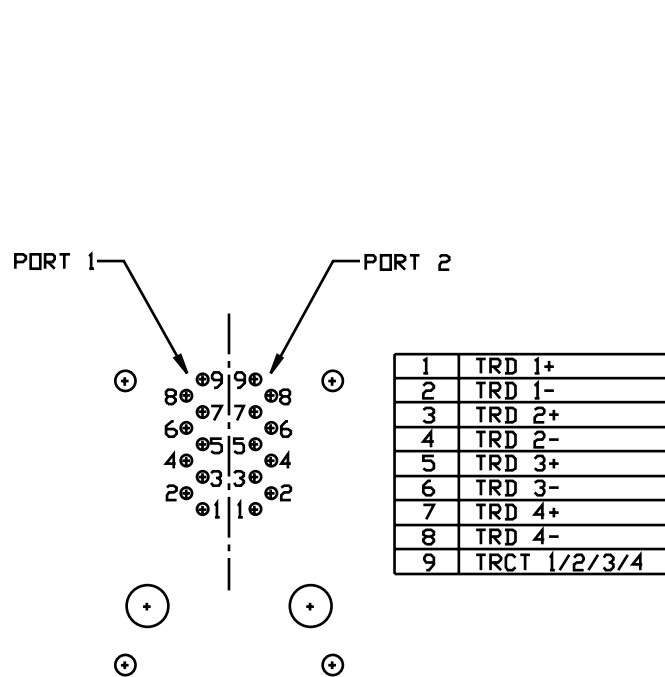
1 JACK CAVITY CONFORMS TO FCC RULES AND REGULATIONS, PART 68 SUBPART F.

UL US UL RECOGNIZED - FILE #E196366 AND E169987.

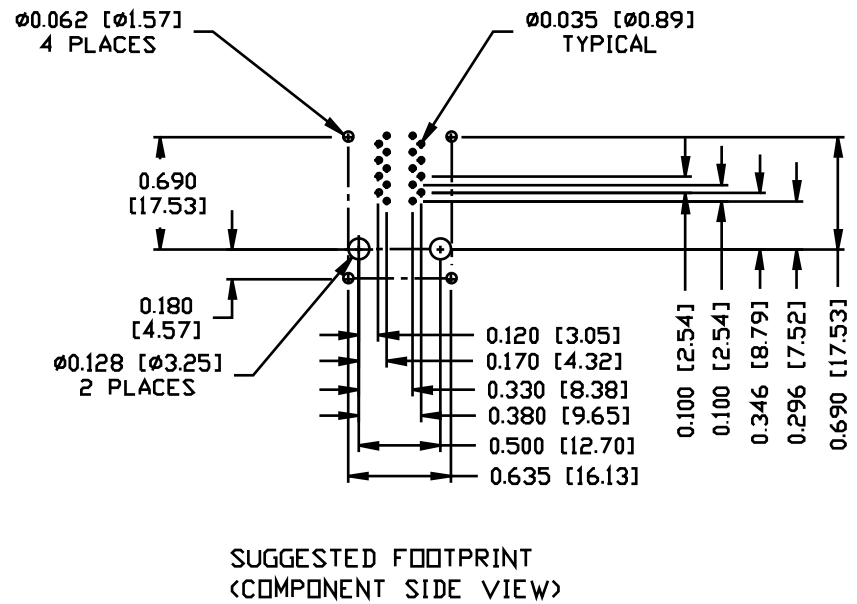
2 MARK PART WITH MFG LOGO, MFG NAME, PART NUMBER, AND DATE CODE.

INTEGRATED CONNECTOR MODULES

0833-2X1T-33 Gigabit Ethernet MagJack® 2 x 1

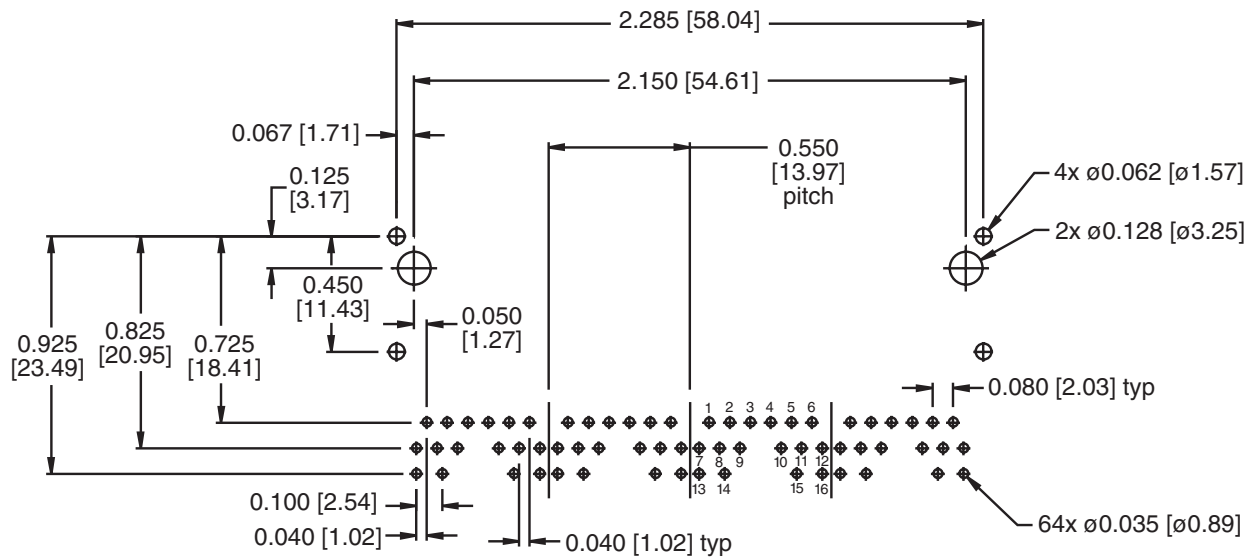


PIN-OUT INFORMATION
(COMPONENT SIDE VIEW)



INTEGRATED CONNECTOR MODULES

0833-2X1T-33 Gigabit Ethernet MagJack® 2 x 1



Suggested PCB Pad Layout
Component Side View

