

# INTEGRATED CONNECTOR MODULES

## 0854-2X8R-66 Power over Ethernet MagJack® 2 x 8

### ELECTRICAL CHARACTERISTICS @ 25°C

#### URNS RATIO

TP1	1CT : 1CT ±2%
TP2	1CT : 1CT ±2%
TP3	1CT : 1CT ±2%
TP4	1CT : 1CT ±2%

DCL @ 100kHz/100mVRMS  
8mA DC BIAS (0°C - 70°C)      350µH MIN.

#### INS. LOSS

0.1MHz TO 1MHz	-1.1 dB MAX
1MHz TO 65MHz	-0.5 dB MAX
65MHz TO 100MHz	-0.8 dB MAX
100MHz TO 125MHz	-1.2 dB MAX

#### RET. LOSS (MIN) @ 100OHMS ±15%

0.5MHz-40MHz	-18 dB
40MHz-100MHz	-12+20LOG(f/80MHz) dB

#### CM TO CM REJ

100kHz - 100MHz	-30 dB MIN
-----------------	------------

#### CM TO DM REJ

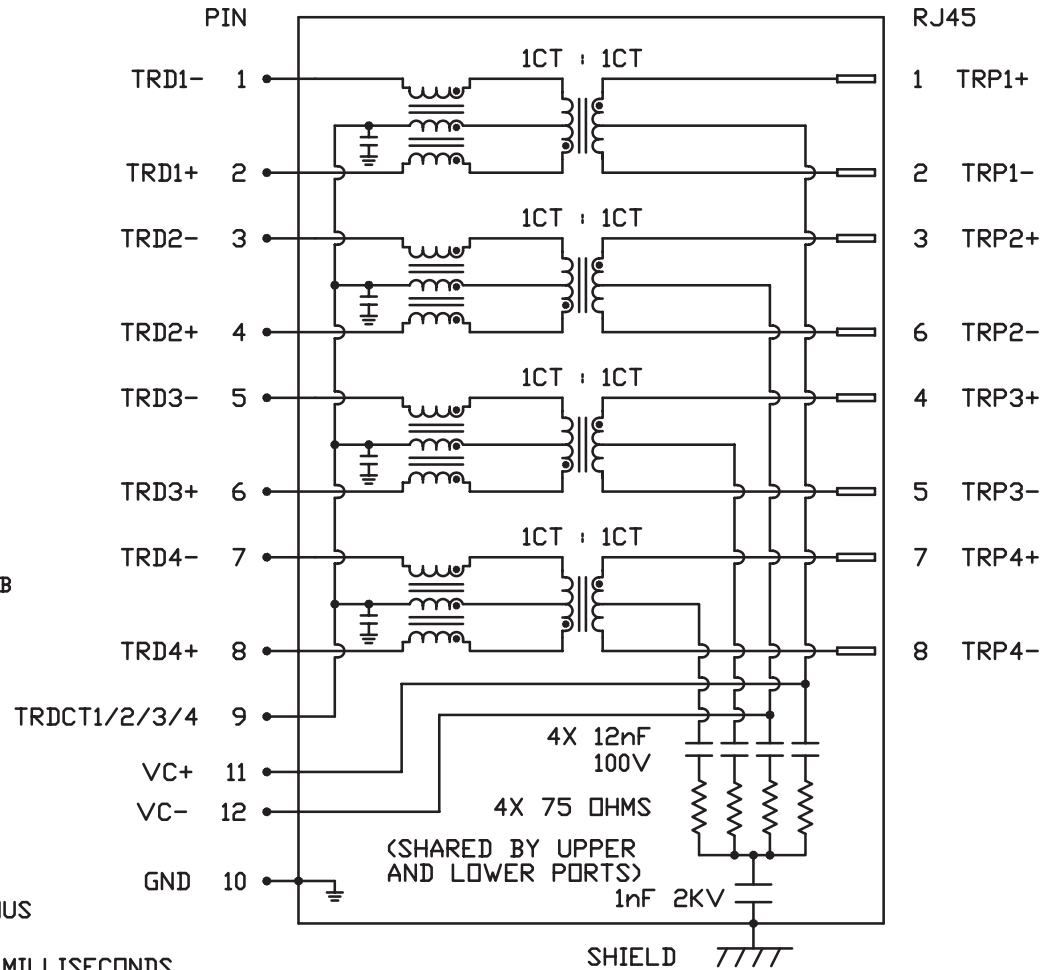
100kHz - 100MHz	-35 dB MIN
-----------------	------------

#### HIPOT (Isolation Voltage):

2250 VDC  
100% OF PRODUCT TESTED IN PRODUCTION

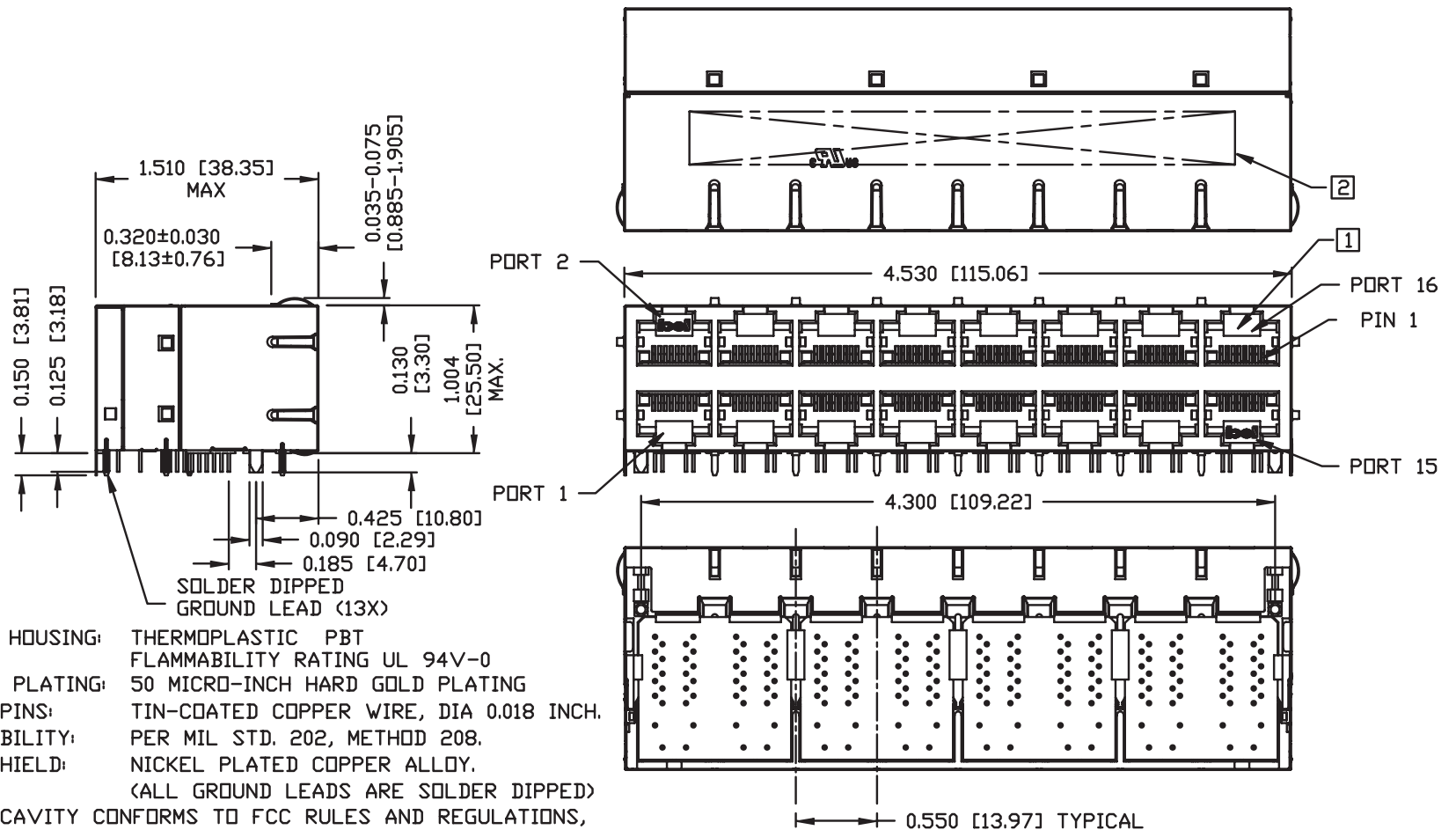
#### BALANCED DC LINE CURRENT

350 mA MAX.  
@ 57 VDC CONTINUOUS  
500 mA MAX.  
@ 57 VDC for 200 MILLISECONDS



# INTEGRATED CONNECTOR MODULES

0854-2X8R-66 Power over Ethernet MagJack® 2 x 8



**NOTES:**

- PLASTIC HOUSING: THERMOPLASTIC PBT  
FLAMMABILITY RATING UL 94V-0
- CONTACT PLATING: 50 MICRO-INCH HARD GOLD PLATING
- OUTPUT PINS: TIN-COATED COPPER WIRE, DIA 0.018 INCH.
- SOLDERABILITY: PER MIL STD. 202, METHOD 208.
- METAL SHIELD: NICKEL PLATED COPPER ALLOY.  
(ALL GROUND LEADS ARE SOLDER DIPPED)

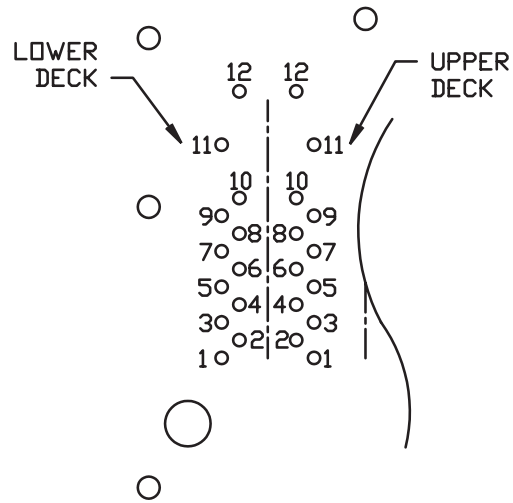
[1] JACK CAVITY CONFORMS TO FCC RULES AND REGULATIONS, PART 68 SUBPART F.

[2] MARK PART WITH MFG LOGO, PART NUMBER, DATE CODE AND MFG NAME.

us UL RECOGNIZED - FILE #E196366 AND E169987.

# INTEGRATED CONNECTOR MODULES

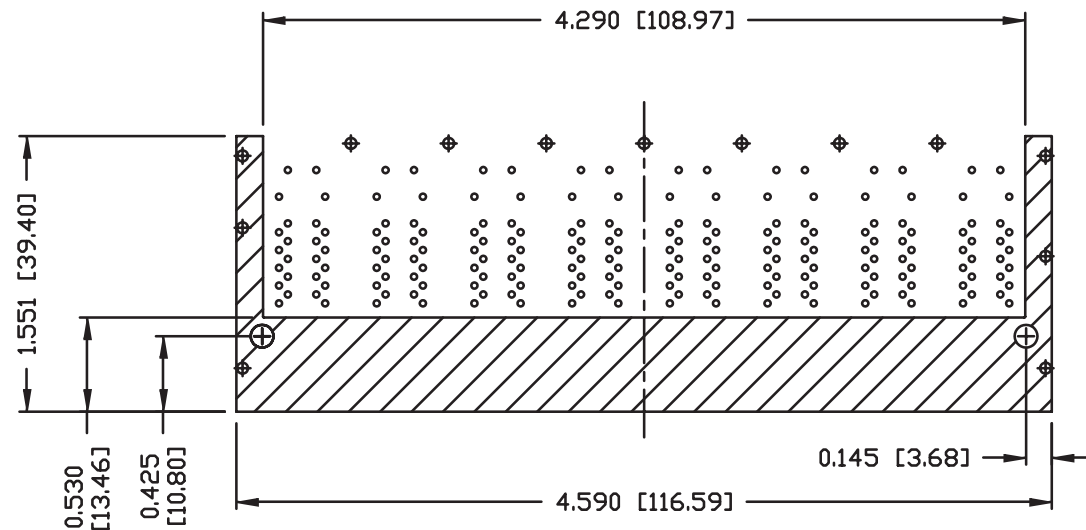
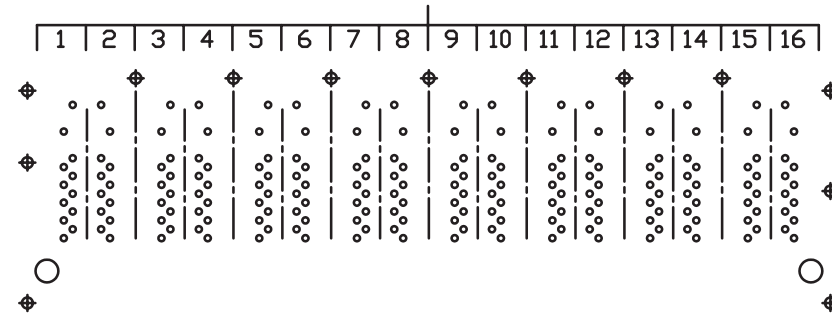
0854-2X8R-66 Power over Ethernet MagJack® 2 x 8



PIN-OUT INFORMATION  
(COMPONENT SIDE VIEW)

12	VC-
11	VC+
10	GND
9	TRCT1/2/3/4
8	TRD 4+
7	TRD 4-
6	TRD 3+
5	TRD 3-
4	TRD 2+
3	TRD 2-
2	TRD 1+
1	TRD 1-

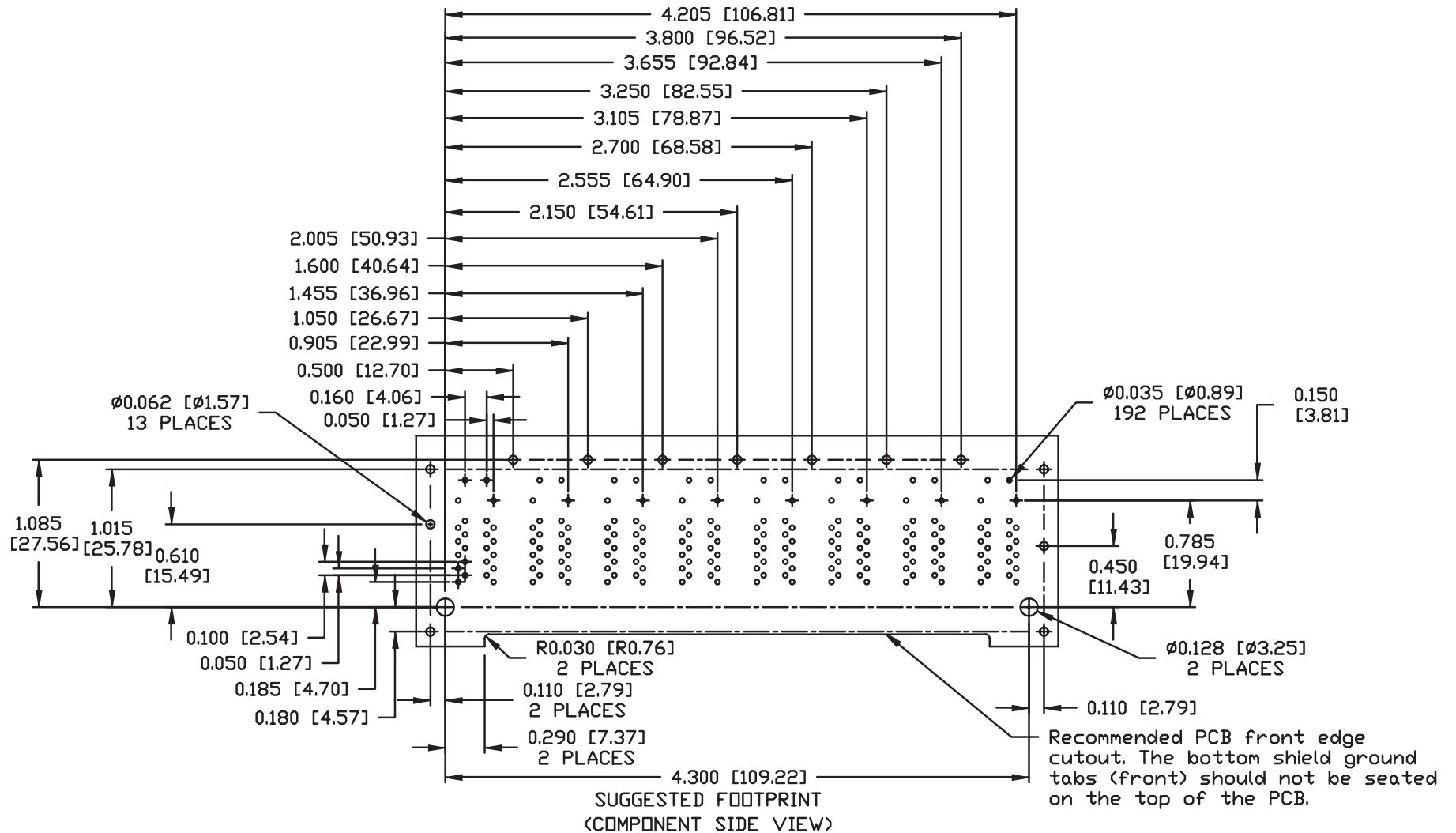
PORT ASSIGNMENT  
(COMPONENT SIDE VIEW)



THE SHADED AREA OF BOTTOM SIDE OF PART  
MAY BE COVERED BY METAL SHIELD.

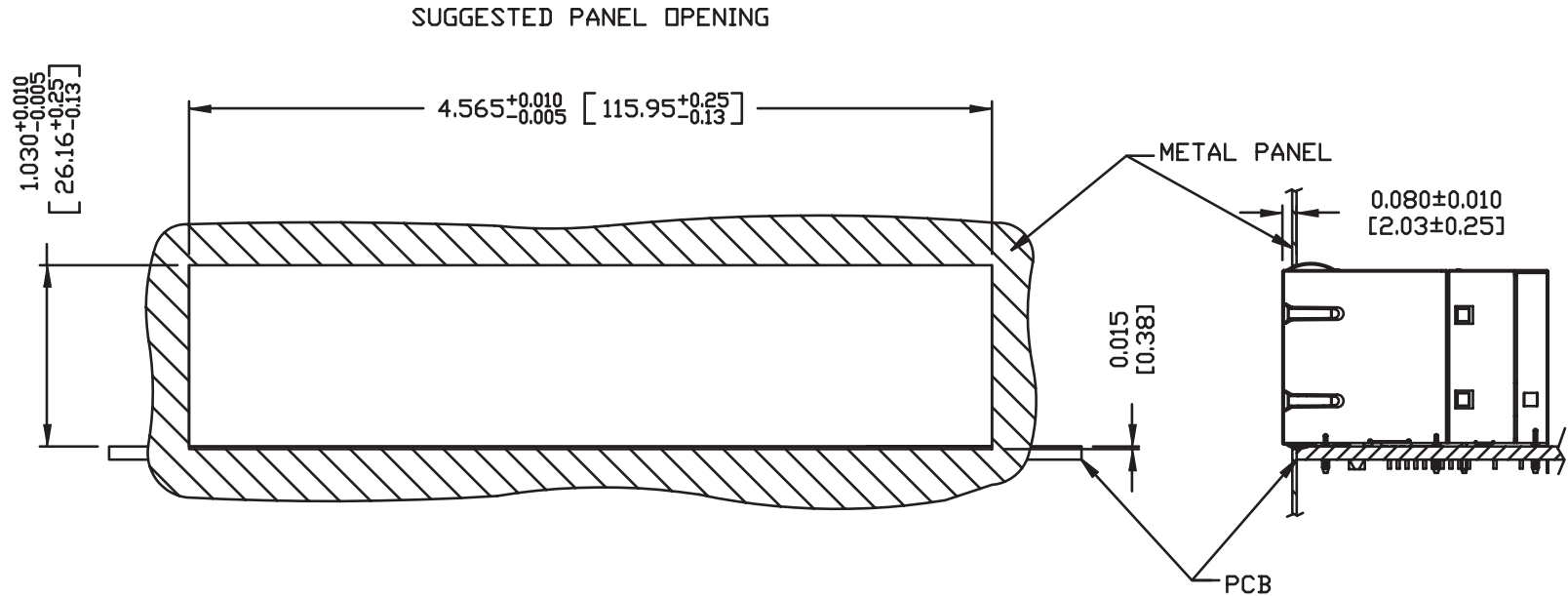
# INTEGRATED CONNECTOR MODULES

0854-2X8R-66 Power over Ethernet MagJack® 2 x 8



# INTEGRATED CONNECTOR MODULES

0854-2X8R-66 Power over Ethernet MagJack® 2 x 8



**NOTE:**

THE DISTANCE OF PANEL INSIDE SURFACE RELATIVE TO FRONT SURFACE OF PART IS ONLY A SUGGESTION. IN CASE THIS DISTANCE IS DIFFERENT, THE REQUIRED PANEL OPENING DIMENSIONS CHANGE ACCORDINGLY.

**PACKING INFORMATION**

PACKING TRAY : 0200-9999-D1 (TOP)  
0200-9999-D2 (BOTTOM)

PACKING QUANTITY : 10 PCS FINISHED GOODS PER TRAY.  
5 TRAYS (50 PCS FINISHED GOODS) PER CARTON BOX.

NOTE : CARDBOARDS ARE PLACED BETWEEN LAYERS OF PACKING TRAY INSIDE CARTON BOX.  
(INCLUDE THE UPPERMOST AND LOWERMOST TRAY)