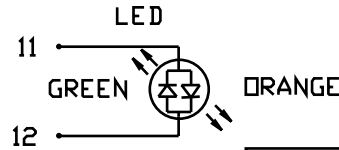


# INTEGRATED CONNECTOR MODULES

## 0863-2X4R-54-F Gigabit Ethernet MagJack® 2 x 4 with LEDs



BI-COLOR LED POLARITY		
PIN	GREEN	ORANGE
11	-	+
12	+	-



### ELECTRICAL CHARACTERISTICS @ 25°C

#### URNS RATIO

TP1	1CT : 1CT ±2%
TP2	1CT : 1CT ±2%
TP3	1CT : 1CT ±2%
TP4	1CT : 1CT ±2%

#### CL @ 100kHz/100mVRMS

8mA DC BIAS 350µH MIN.

#### INS. LOSS

0.1MHz TO 1MHz	-1.1 dB MAX
1MHz TO 65MHz	-0.5 dB MAX
65MHz TO 100MHz	-0.8 dB MAX
100MHz TO 125MHz	-1.2 dB MAX

#### RET. LOSS (MIN)

0.5MHz-40MHz -18 dB  
40MHz-100MHz -12+20LOG(f/80MHz) dB

#### CM TO CM REJ

100kHz - 100MHz -30 dB MIN

#### CM TO DM REJ

100kHz - 100MHz -35 dB MIN

#### HIPOT (Isolation Voltage):

1500 Vrms

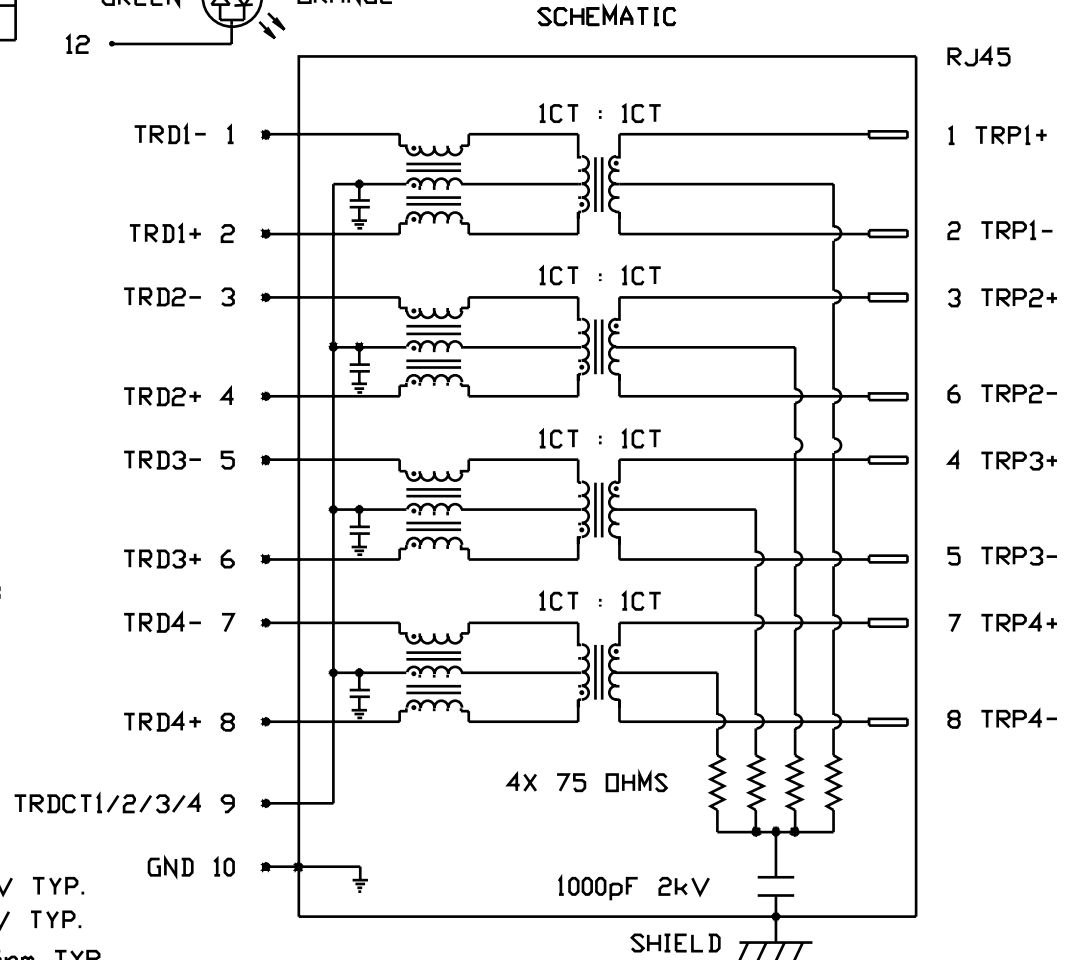
#### LED

#### VF (FORWARD VOLTAGE)

IF=20mA GREEN 2.2V TYP.  
ORANGE 2.0V TYP.

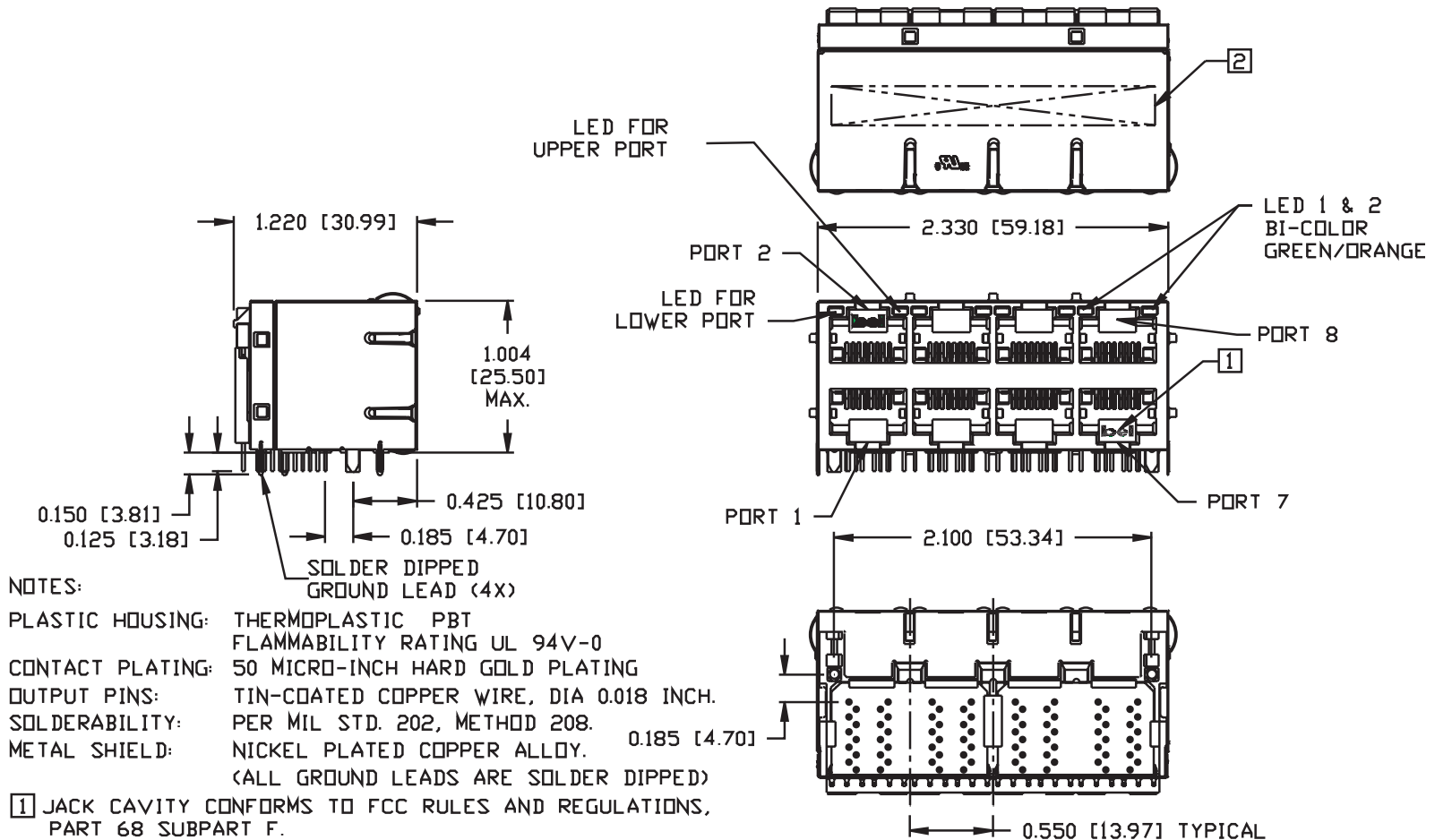
#### λD (DOMINANT WAVELENGTH)

IF=20mA GREEN 565nm TYP.  
ORANGE 610nm TYP.



# INTEGRATED CONNECTOR MODULES

## 0863-2X4R-54-F Gigabit Ethernet MagJack® 2 x 4 with LEDs



**NOTES:**

- PLASTIC HOUSING: THERMOPLASTIC PBT  
FLAMMABILITY RATING UL 94V-0
- CONTACT PLATING: 50 MICRO-INCH HARD GOLD PLATING
- OUTPUT PINS: TIN-COATED COPPER WIRE, DIA 0.018 INCH.
- SOLDERABILITY: PER MIL STD. 202, METHOD 208.
- METAL SHIELD: NICKEL PLATED COPPER ALLOY. 0.185 [4.70]
- (ALL GROUND LEADS ARE SOLDER DIPPED)

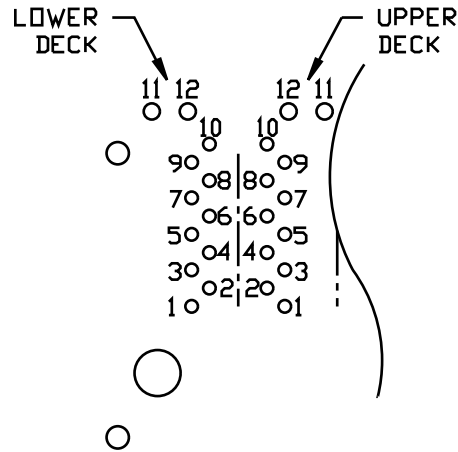
- [1] JACK CAVITY CONFORMS TO FCC RULES AND REGULATIONS, PART 68 SUBPART F.
- [2] MARK PART WITH MFG LOGO MFG, NAME, PART NUMBER, AND DATE CODE

UL RECOGNIZED - FILE #E196366 AND E169987.

RoHS COMPLIANT, PER EU DIRECTIVE 2002/95/EC

# INTEGRATED CONNECTOR MODULES

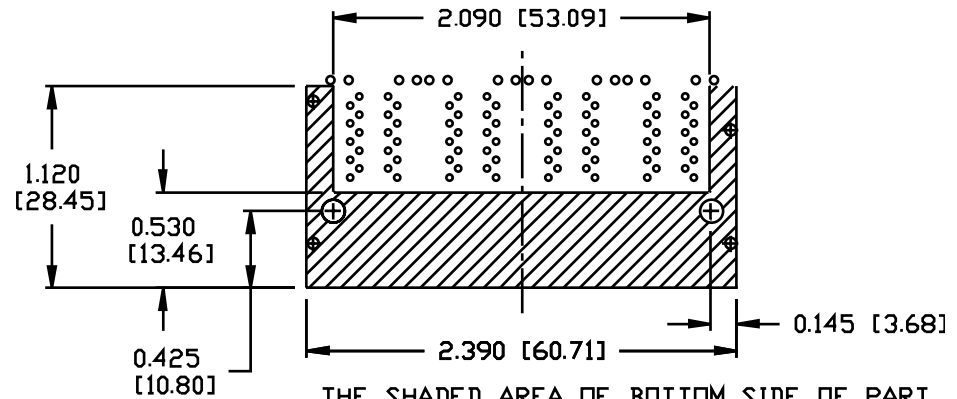
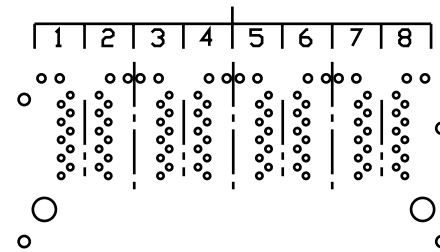
## 0863-2X4R-54-F Gigabit Ethernet MagJack® 2 x 4 with LEDs



**PIN-OUT INFORMATION**  
(COMPONENT SIDE VIEW)

12	GRN (+)/ORG (-)
11	GRN (-)/ORG (+)
10	GND
9	TRCT1/2/3/4
8	TRD 4+
7	TRD 4-
6	TRD 3+
5	TRD 3-
4	TRD 2+
3	TRD 2-
2	TRD 1+
1	TRD 1-

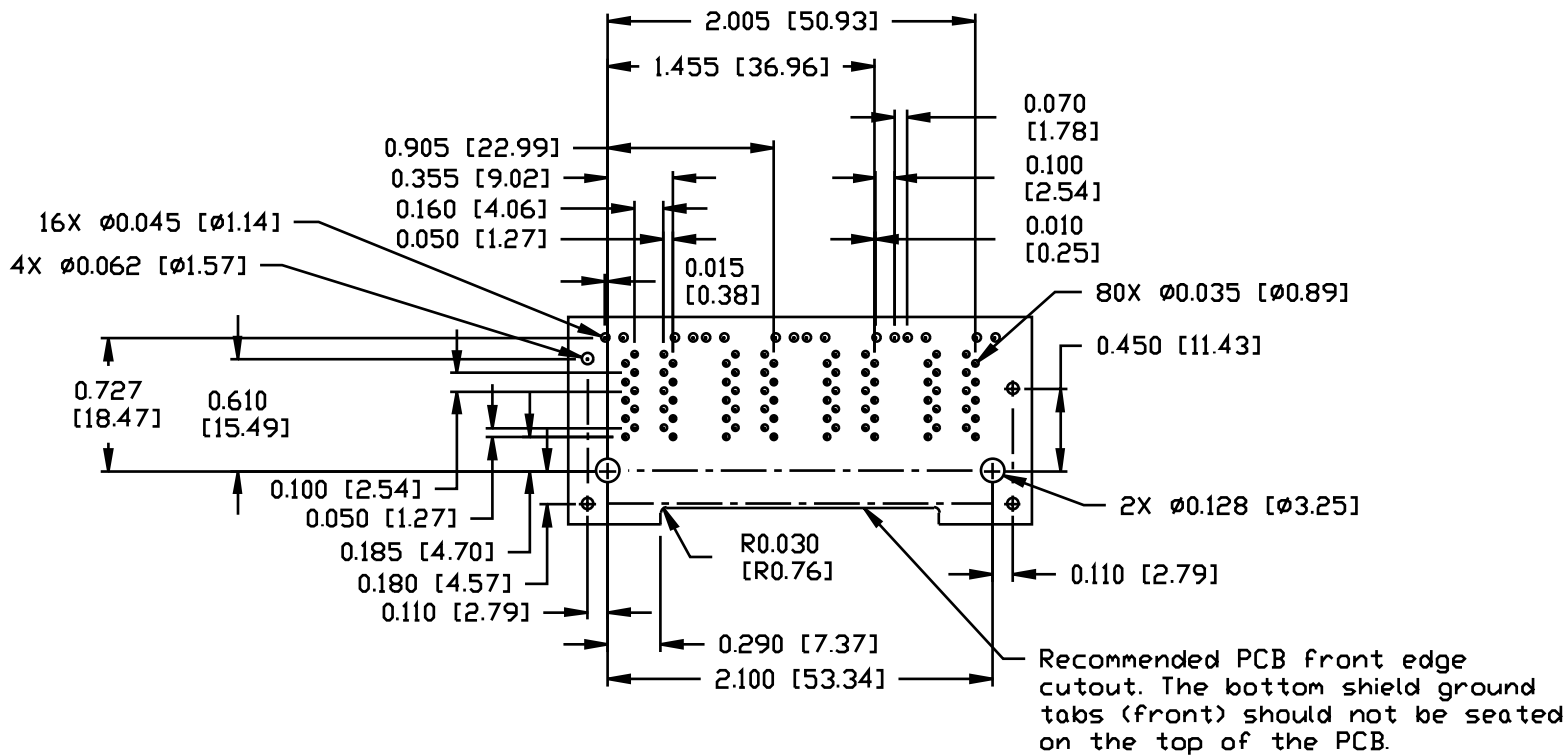
**PORT ASSIGNMENT**  
(COMPONENT SIDE VIEW)



THE SHADED AREA OF BOTTOM SIDE OF PART  
MAY BE COVERED BY METAL SHIELD.

# INTEGRATED CONNECTOR MODULES

## 0863-2X4R-54-F Gigabit Ethernet MagJack® 2 x 4 with LEDs



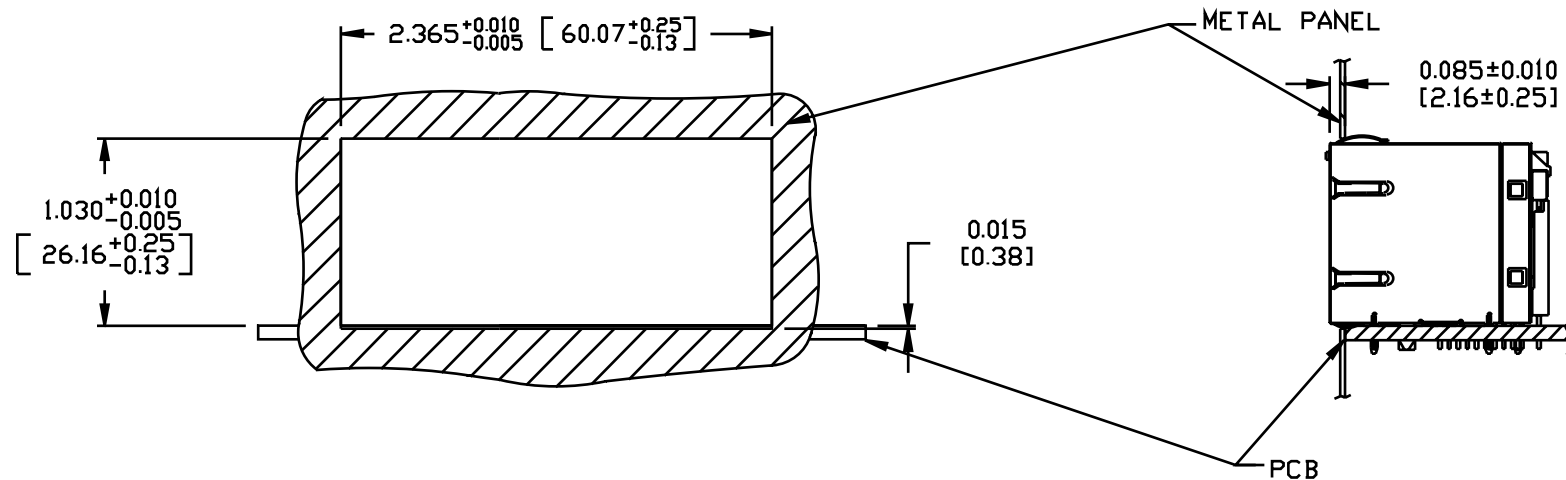
SUGGESTED FOOTPRINT  
(COMPONENT SIDE VIEW)

# INTEGRATED CONNECTOR MODULES

## 0863-2X4R-54-F Gigabit Ethernet MagJack® 2 x 4 with LEDs



### SUGGESTED PANEL OPENING



#### NOTES:

THE DISTANCE OF PANEL INSIDE SURFACE RELATIVE TO FRONT SURFACE OF PART IS ONLY A SUGGESTION. IN CASE THIS DISTANCE IS DIFFERENT, THE REQUIRED PANEL OPENING DIMENSIONS CHANGE ACCORDINGLY.

#### PACKING INFORMATION

DR PACKING TRAY : 0200-9999-E7 (TOP)  
0200-9999-E8 (BOTTOM)

PACKING QUANTITY : 20 PCS FINISHED GOODS PER TRAY  
7 TRAY (140 PCS FINISHED GOODS) PER CARTON BOX

NOTE : CARDBOARDS ARE PLACED BETWEEN LAYERS OF PACKING TRAY INSIDE CARTON BOX  
(INCLUDE THE UPPERMOST AND LOWERMOST TRAY)