

SP2T

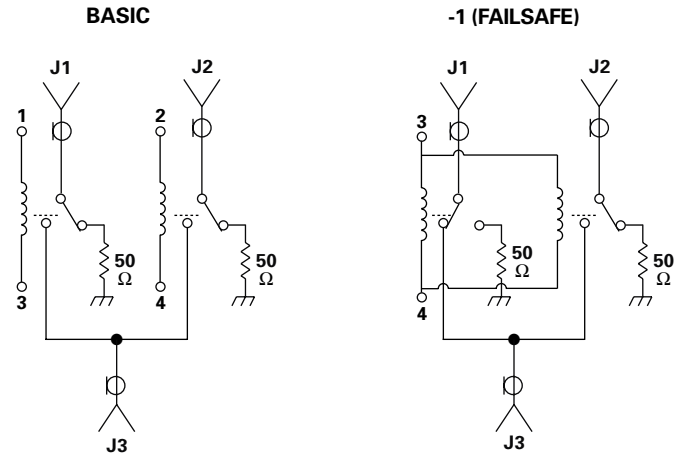
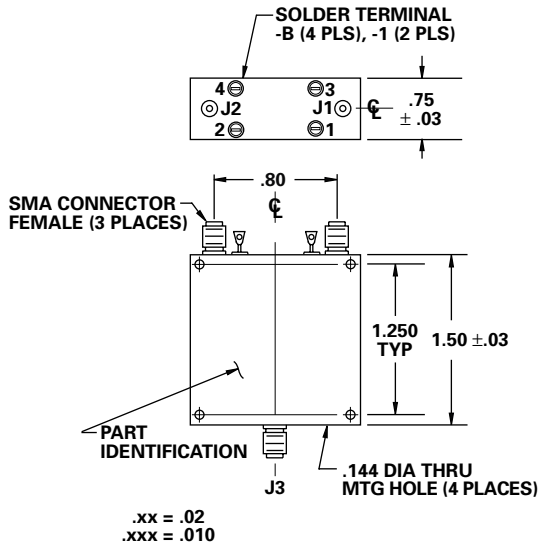
FEATURES

- DC - 150 MHz
- 0.75 dB Insertion Loss
- 110 dB Isolation
- Non-Reflective
- SMA Connectors



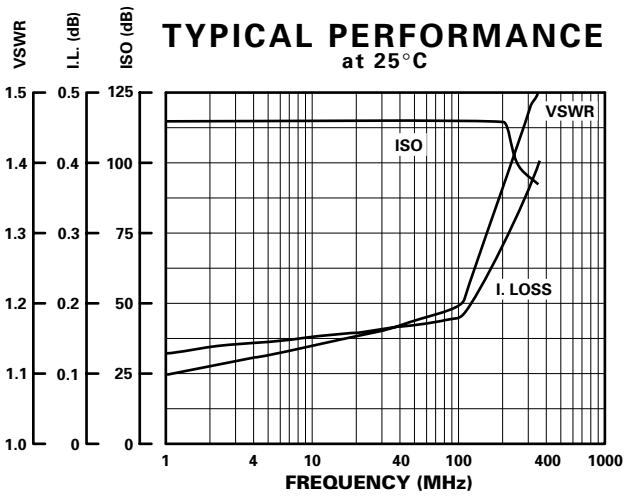
MODEL NO. 100C0350

SP2T Relay



GUARANTEED PERFORMANCE

Parameter	Min	Typ	Max	Units	Conditions
Operating Frequency	DC		150	MHz	
DC Voltage					See Table
Insertion Loss		0.2	0.75	dB	
Isolation	100	110		dB	
VSWR	Thru	1.3/1	1.4/1		
Impedance		50		OHMS	
Switching Speed			3	mSEC	
RF Power	Operate		2.5	W	CW
Operating Temperature	-55	+25	+85	°C	TA



Voltage	Current - Typical	Failsafe
6	130 mA Per Throw	240
12	64 mA Per Throw	125
18	42 mA Per Throw	85
26	34 mA Per Throw	70

