

## FEATURES

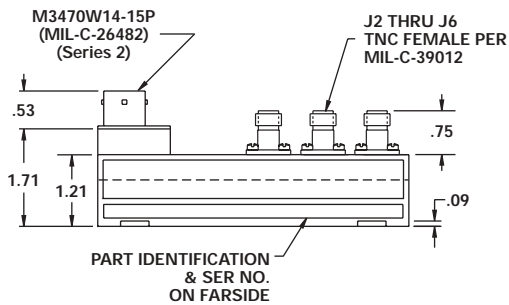
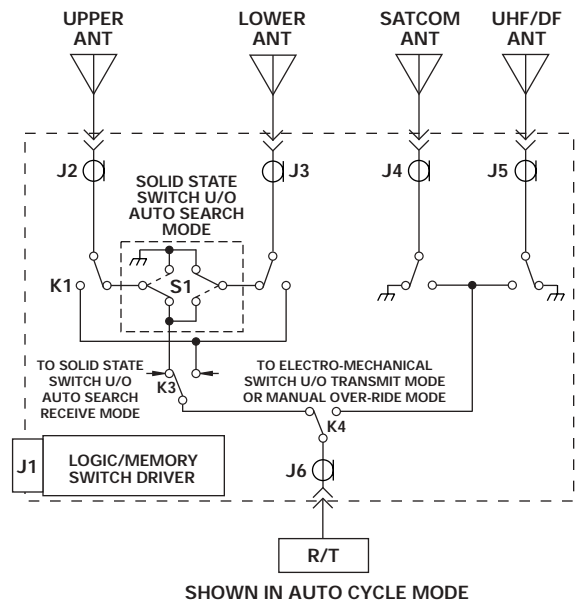
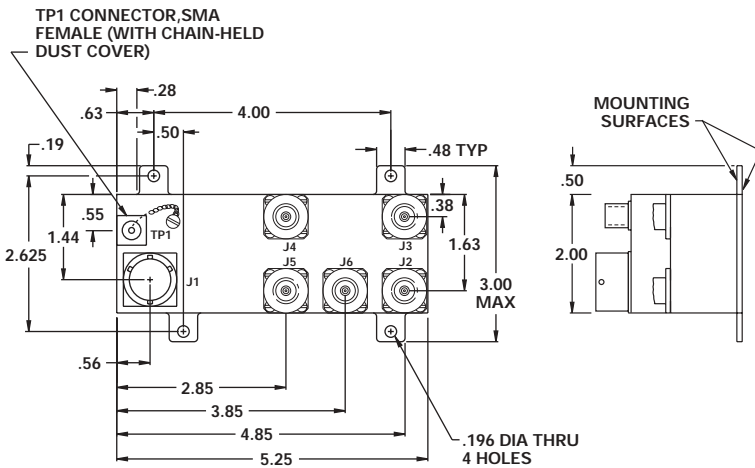
- Connects R/T to 4 Antennas (Upper, Lower, ADF or Satcom).
- ADF Override with Key Interlock Prevents Transmission into the ADF Port
- Failsafe Mode Connects R/T to Lower Antenna in the Event of a Power Loss
- Auto Mode Cycles Between Upper and Lower Antenna Using Solid State Relay Saver Circuitry for Reliability
- Key Function with Memory Automatically Selects the Antenna on which the Last Signal was Received
- BIT Port for Functionality Test in Aircraft. Available on Separate SMA Connector or J1 Control Connector



MODEL NO.  
100D1788

## 4 Port Antenna Selector

HDI



.xx = .02  
.xxx = .010

## GUARANTEED PERFORMANCE

| Parameter             | Min | Typ | Max    | Units | Conditions           |
|-----------------------|-----|-----|--------|-------|----------------------|
| Operating Frequency   | 225 |     | 400    | MHz   |                      |
| DC Current            |     |     | 150    | mA    | At +28 VDC Supply    |
| Insertion Loss        |     |     | 0.8    | dB    |                      |
| Isolation             | 30  |     |        | dB    |                      |
| VSWR                  |     |     | 1.35/1 |       |                      |
| Impedance             |     | 50  |        | OHMS  |                      |
| Switching Speed       |     |     | 5      | mSec  |                      |
| RF Power              |     |     | 100    | W     | Average              |
|                       |     |     | 500    | W     | Peak                 |
| Operating Temperature | -54 | +25 | +71    | °C    | Intermittent @ +95°C |
| Weight                |     |     | 18.2   | OZ    |                      |