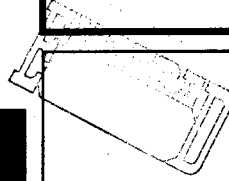


15R6CTN&P



**100 AMP
 150 VOLTS
 50nsec
 EPID®**

CENTERTAP RECTIFIER

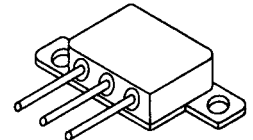
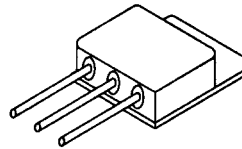
Designer's Data Sheet

FEATURES:

- **EPID®** High Voltage Schottky Process
- Minimal recovery time and leakage increase over temperature versus comparable rectifiers
- Lower capacitance than conventional Schottkys
- Hyper Fast Recovery: 50 nsec Maximum
- High Surge Rating
- Hermetically Sealed Power Package
- Gold Eutectic Die Attach available
- Ultrasonic Aluminum Wire Bonds
- Higher Voltage classes available
- Common anode configuration: 15R6CAN&P
- Doubler configuration: 15R6DN&P
- TX, TXV and Space Level Screening Available

TO-258

TO-259



MAXIMUM RATINGS

| RATING | SYMBOL | VALUE | UNIT |
|---|------------|-------------|-------|
| Peak Repetitive Reverse and DC Blocking Voltage 15R6CTN&P | VRRM | 150 | Volts |
| | VRWM | | |
| | VR | | |
| Average Rectified Forward Current (Resistive Load, 60Hz, Sine Wave, TA=25°C) | IO | 100 | Amps |
| Peak Surge Current (8.3 ms Pulse, Half Sine Wave, TA=25°C) note 1 | IFSM | 600 | Amps |
| Operating and storage temperature | Top & Tstg | -65 to +200 | °C |
| Maximum Thermal Resistance Junction to Case, each individual diode Junction to Case, both legs tied together | RθJC | 1.25 | °C/W |
| | | 0.75 | |

Note 1 Per leg

NOTE: All specifications are subject to change without notification. SCD's for these devices should be reviewed by SSDI prior to release.

DATA SHEET#: RH0145 A

MED

15R6CTN&P

PRELIMINARY

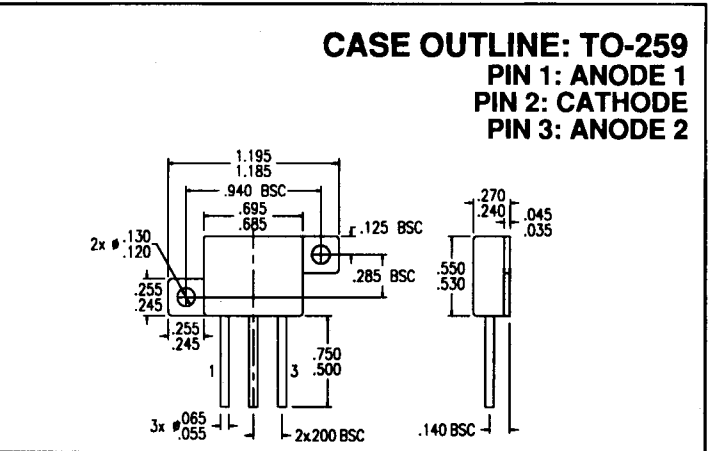
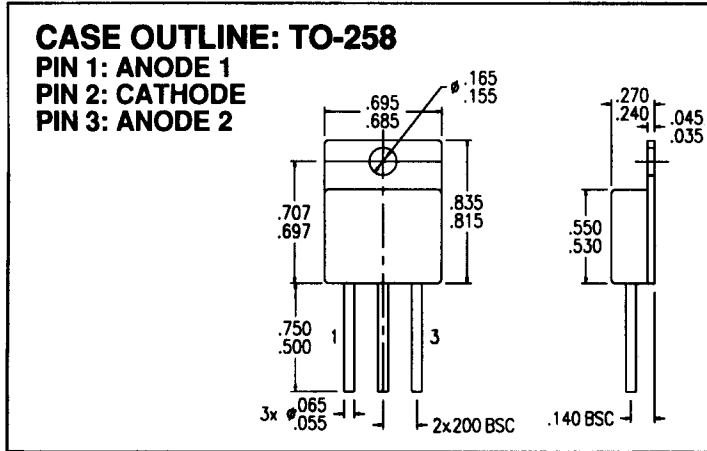


SOLID STATE DEVICES, INC

14849 Firestone Boulevard · La Mirada, CA 90638
 Phone: (714) 670-SSDI (7734) · Fax: (714) 522-7424

ELECTRICAL CHARACTERISTICS (Per leg)

| CHARACTERISTICS | SYMBOL | MAXIMUM | UNIT |
|--|------------|--------------|-------------|
| Instantaneous Forward Voltage Drop (IF = 25 Adc, TA=25°C, 300µs Pulse) (IF = 50 Adc, TA=25°C, 300µs Pulse) | VF | 0.92 1.05 | Vdc |
| Instantaneous Forward Voltage Drop (IF = 25 Adc, TA= 100°C, 300µs Pulse) (IF = 25 Adc, TA= - 55°C, 300µs Pulse) | VF | 0.82 1.04 | Vdc |
| Reverse Leakage Current (Rated VR, TA=25°C, 300µs pulse minimum) | IR | 100 | µA |
| Reverse Leakage Current (Rated VR, TA=100°C, 300µs pulse minimum) | IR | 2 | mA |
| Junction Capacitance (VR = 10 Vdc, TA=25°C, f= 1 MHz) | CJ | 250 | pf |
| Reverse Recovery Time (IF=500mA, IR=1 A, IRR=250mA, TA=25°C) | trr | 50 | nsec |



TYPICAL OPERATING CURVES

TA=25°C Unless otherwise specified

