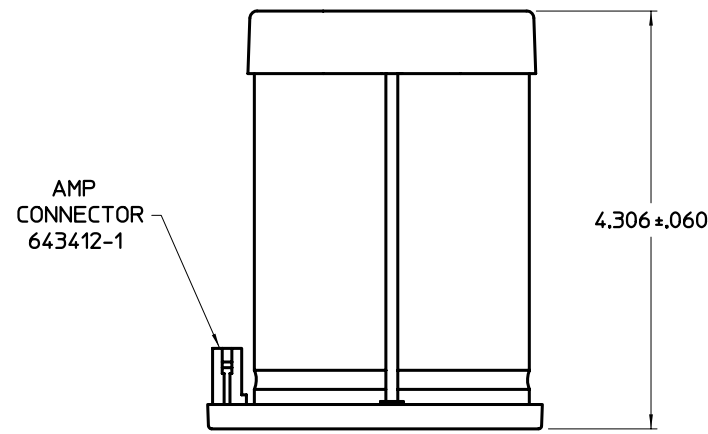
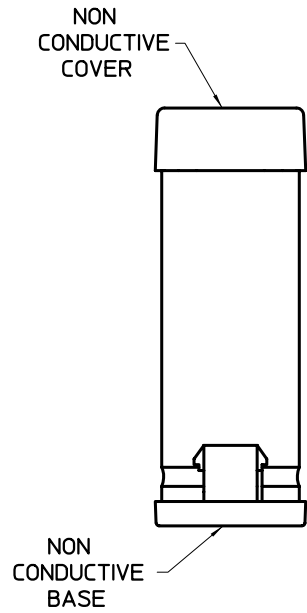
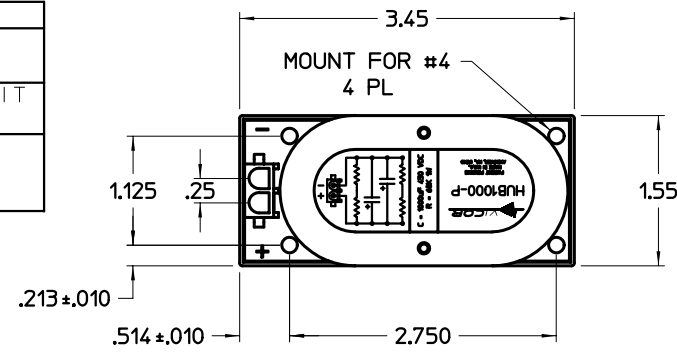


VICOR CONFIDENTIAL
 THIS DOCUMENT AND THE DATA DISCLOSED
 HEREIN OR HEREWITH IS NOT TO BE REPRODUCED,
 USED, OR DISCLOSED IN WHOLE OR IN PART
 TO ANYONE WITHOUT PERMISSION OF VICOR CORP.

REV.	DESCRIPTION	DATE	APPROVED
01	RELEASED PER E980365	DPK 9/14/98	RCM
02	REVSD- E980451	RCM 12/2/98	DPK
03	REVSD PER E990386	AK 9/14/99	RCM
04	REVSD PER E990450	RCM 3/6/00	DPK

VICOR HUB PART NO.	MATING CONNECTOR		
	ORDER FROM: AMP		ORDER FROM: VICOR
	HOUSING (QTY 1)	PINS (QTY 2)	HOUSING/PINS KIT (QTY 1)
HUB1000-P	770017-1	770248-1	21395



AT +105°C, 120HZ UNLESS OTHERWISE NOTED	
ITEM	CHARACTERISTICS
OPERATING TEMPERATURE	-25 to +105°C
CAPACITANCE TOLERANCE @+20°C	±20%
	AMBIENT TEMPERATURE (°C)
	+45 +60 +70 +85 +105
RIPPLE CURRENT MULTIPLIER	2.64 2.23 2.12 1.73 1.00
DISSIPATION FACTOR @ +20°C	0.1
RATED VOLTAGE (WVDC)	200
CAPACITANCE VALUE (C1, C2 EA. uF)	1000
MAXIMUM ESR (OHMS) @ +20°C	0.230
MAXIMUM RIPPLE CURRENT (A rms)	3.34

DRAWN BY D.CYHAR DATE 4/9/98		
UNLESS OTHERWISE SPECIFIED DIMENSIONS ARE IN INCHES- TOLERANCES ARE: FRACTIONS DECIMALS ANGLES *1/64 *0.01 *1° **0.005 **0.005 **0.1°	OUTLINE DRAWING, HUB1000-P	
THIRD ANGLE PROJECTION 	SIZE C FSCH NO. 67131 DWG NO. 16771 REV 04	SCALE FULL SHEET 1 OF 1
DO NOT SCALE DRAWING		