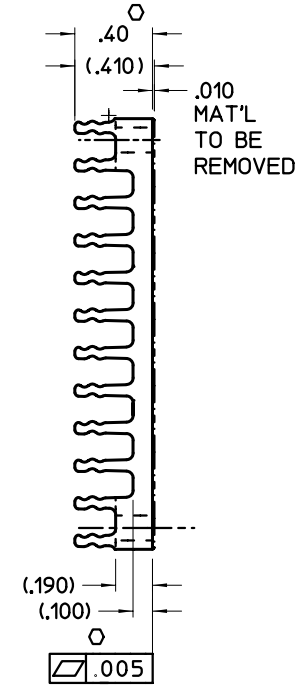
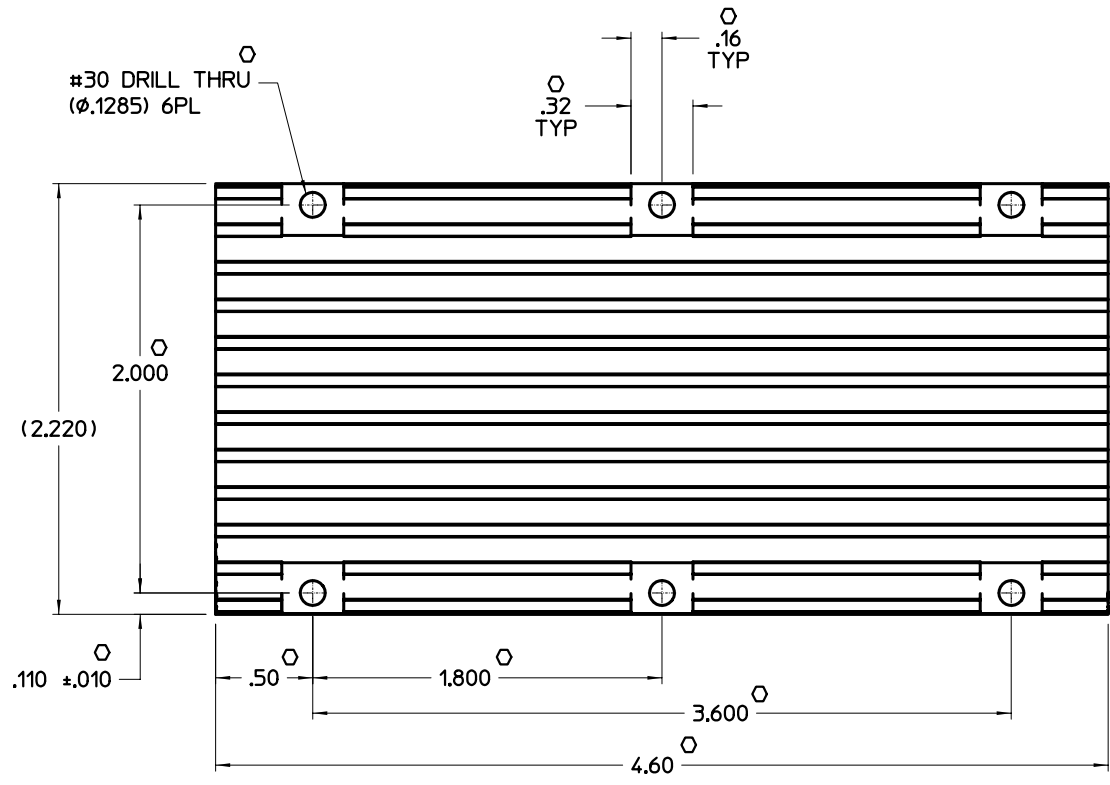


VICOR CONFIDENTIAL  
 THIS DOCUMENT AND THE DATA DISCLOSED  
 HEREIN OR HEREWITH IS NOT TO BE REPRODUCED,  
 USED, OR DISCLOSED IN WHOLE OR IN PART  
 TO ANYONE WITHOUT PERMISSION OF VICOR CORP.

REV.	DESCRIPTION	DATE	APPROVED
#1	RELEASED FOR DEVELOPMENT	DPK 11/17/97	SWN
#2	ADDED .010 TO DIM.	DPK 12/8/97	SWN
#3	REMOVED NOTE 4 AND P/N STAMPING	DPK 8/24/98	SWN
#4	.40 WAS .400: ADDED '0' TO .100 & .190	DPK 9/11/98	SWN
#5	REVISED PER MARK-UP	LN 1/6/99	SWN
#6	ADDED NOTE 4, CRITICAL CHA. 'O'	AK 10/7/99	SWN



NOTES

1. MAKE FROM VICOR EXTRUSION P/N 17475.
2. REMOVE ALL BURRS AND SHARP EDGES.
3. FINISH: CLEAR CHROMATE.
4. 'O' DENOTES CRITICAL CHARACTERISTIC FOR LOT INSPECTION.

DRAWN BY <b>D.P. KELLY</b>	DATE <b>11/97</b>		
<small>UNLESS OTHERWISE SPECIFIED          DIMENSIONS ARE IN INCHES.          TOLERANCES ARE:          FRACTIONS DECIMALS ANGLES          1/64 .001 .01 °       </small>		<b>HTSNK "A" LONG .4H          LOW FLOW, THRU HOLE</b>	
THIRD ANGLE PROJECTION 	SIZE <b>C 67131</b>	DWG NO <b>18038</b>	REV <b>#6</b>
DO NOT SCALE DRAWING	SCALE <b>2-1</b>	SHEET <b>1</b>	OF <b>1</b>